

Chain EBUS20 contains:

A41 CUR 210 CUR 220 CUR 230 CUR 240 CUR 250 CUR 260A CUR 260B  
 CUR 270 CUR 280 CUR 290 CUR 300 CUR 310 CUR 1210 CUR 1220 CUR 320  
 CUR 330 CUR 340 CUR 350 CUR 360 CUR 370 CUR 380 CUR 390 CUR 1200  
 CUR 1350

Curve Data

Curve 360

P.I. Station 448+25.54 N 2,111,051.5561 E 2,204,912.6323  
 Delta = 27° 49' 35.94" (RT)  
 Degree = 2° 59' 28.85"  
 Tangent = 474.4823'  
 Length = 930.2379'  
 Radius = 1,915.3835'  
 External = 57.8948'  
 Long Chord = 921.1225'  
 Mid. Ord. = 56.1962'  
 P.C. Station 443+51.06 N 2,111,067.3602 E 2,204,438.4133  
 P.T. Station 452+81.30 N 2,110,816.2150 E 2,205,324.6372  
 C.C. N 2,109,153.0394 E 2,204,374.6156

Course from PT 360 to PC 370 S 60° 15' 52.51" E Dist 2,869.9966'

Curve Data

Curve 370

P.I. Station 486+85.27 N 2,109,127.8584 E 2,208,280.3949  
 Delta = 26° 19' 04.45" (LT)  
 Degree = 2° 30' 30.89"  
 Tangent = 533.9792'  
 Length = 1,049.1148'  
 Radius = 2,283.9910'  
 External = 61.5897'  
 Long Chord = 1,039.9162'  
 Mid. Ord. = 59.9725'  
 P.C. Station 481+51.29 N 2,109,392.7097 E 2,207,816.7273  
 P.T. Station 492+00.41 N 2,109,096.0271 E 2,208,813.4244  
 C.C. N 2,111,375.9564 E 2,208,949.5765

Course from PT 370 to PC 380 S 86° 34' 56.96" E Dist 219.0475'

Curve Data

Curve 380

P.I. Station 499+21.85 N 2,109,053.0211 E 2,209,533.5799  
 Delta = 7° 45' 40.17" (RT)  
 Degree = 0° 46' 24.98"  
 Tangent = 502.3909'  
 Length = 1,003.2450'  
 Radius = 7,406.3317'  
 External = 17.0197'  
 Long Chord = 1,002.4782'  
 Mid. Ord. = 16.9807'  
 P.C. Station 494+19.46 N 2,109,082.9694 E 2,209,032.0824  
 P.T. Station 504+22.70 N 2,108,955.6230 E 2,210,026.4392  
 C.C. N 2,101,689.8087 E 2,208,590.5800

Course from PT 380 to PC 390 S 78° 49' 16.79" E Dist 3,931.3182'

Chain WBUS20 contains:

A40 CUR 200 CUR 1230 CUR 1240 CUR 1250 CUR 1260 CUR 1270 CUR 1280  
 CUR 1290 CUR 1300 CUR 1310 CUR 1320 CUR 1330 CUR 1340 CUR A025340  
 CUR A025330 CUR A025320 CUR A025310

Curve Data

Curve 1320

P.I. Station 458+58.42 N 2,110,274.5751 E 2,206,475.8997  
 Delta = 13° 31' 04.02" (LT)  
 Degree = 2° 50' 25.91"  
 Tangent = 239.0546'  
 Length = 475.8894'  
 Radius = 2,017.0802'  
 External = 14.1164'  
 Long Chord = 474.7865'  
 Mid. Ord. = 14.0183'  
 P.C. Station 456+19.37 N 2,110,434.7721 E 2,206,298.4624  
 P.T. Station 460+95.26 N 2,110,160.2914 E 2,206,685.8672  
 C.C. N 2,111,931.9422 E 2,207,650.1629

Course from PT 1320 to PC 1330 S 61° 26' 27.22" E Dist 1,402.7298'

Curve Data

Curve 1330

P.I. Station 479+15.93 N 2,109,289.8932 E 2,208,285.0053  
 Delta = 20° 48' 34.06" (LT)  
 Degree = 2° 31' 02.15"  
 Tangent = 417.9392'  
 Length = 826.6699'  
 Radius = 2,276.1133'  
 External = 38.0528'  
 Long Chord = 822.1338'  
 Mid. Ord. = 37.4271'  
 P.C. Station 474+97.99 N 2,109,489.6953 E 2,207,917.9190  
 P.T. Station 483+24.66 N 2,109,233.5362 E 2,208,699.1274  
 C.C. N 2,111,488.8612 E 2,209,006.0493

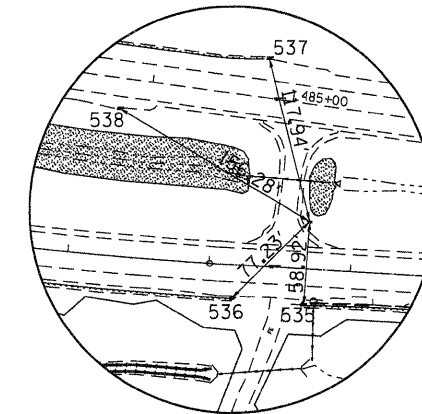
Course from PT 1330 to PC 1340 S 82° 15' 01.28" E Dist 984.4706'

Curve Data

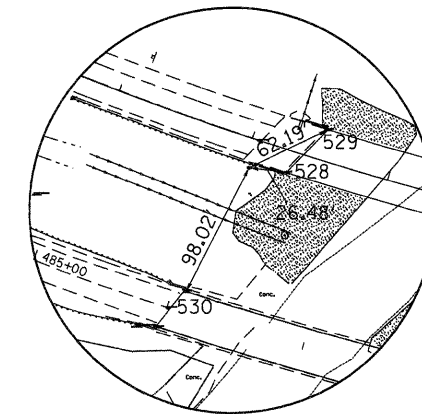
Curve 1340

P.I. Station 495+28.64 N 2,109,071.1849 E 2,209,892.1178  
 Delta = 1° 58' 37.81" (RT)  
 Degree = 0° 27' 01.41"  
 Tangent = 219.5162'  
 Length = 438.9888'  
 Radius = 12,721.3241'  
 External = 1.8938'  
 Long Chord = 438.9670'  
 Mid. Ord. = 1.8935'  
 P.C. Station 493+09.13 N 2,109,100.7855 E 2,209,674.6065  
 P.T. Station 497+48.12 N 2,109,034.0975 E 2,210,108.4783  
 C.C. N 2,096,495.6486 E 2,207,959.2026

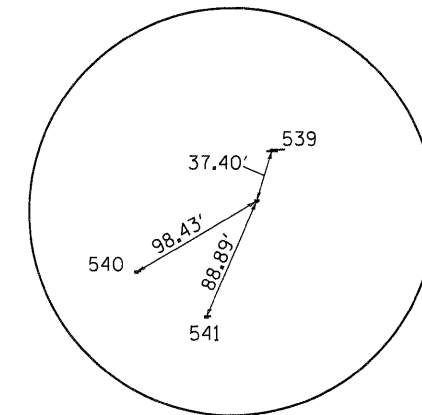
Course from PT 1340 to PC A025340 S 80° 16' 24.24" E Dist 2,193.5873'



HORIZONTAL CONTROL POINT NO. 100



HORIZONTAL CONTROL POINT NO. 101



HORIZONTAL CONTROL POINT NO. 102

NOTE: SURVEY DATA PROVIDED BY THE ILLINOIS DEPARTMENT OF TRANSPORTATION.

USER NAME = gjameson	DESIGNED -	REVISED -		1701 ROUTE 35 NORTH EAST DUBUQUE, IL 61025 (815) 747-8833 DESIGN FIRM #184001036	<b>STATE OF ILLINOIS</b> <b>DEPARTMENT OF TRANSPORTATION</b>	<b>US 20 HORIZONTAL &amp; VERTICAL CONTROL</b> <b>SN 043-0007 (E.B.)</b>			F.A.P. RTE.	SECTION	COUNTY	TOTAL SHEETS	SHEET NO.
FILE NAME = Z03207HVC007-SHT.dwg	CHECKED -	REVISED -				301	(43B,44B,44HB,45B)D	JO DAVIESS	309	47			
PLOT DATE = 12/6/2011	DRAWN -	REVISED -				<b>CONTRACT NO. 64C94</b>							
PLOT TIME = 10:18:02 AM	CHECKED -	REVISED -				ILLINOIS FED. AID PROJECT							
SCALE: NTS SHEET NO. 2 OF 2 SHEETS STA. TO STA.													