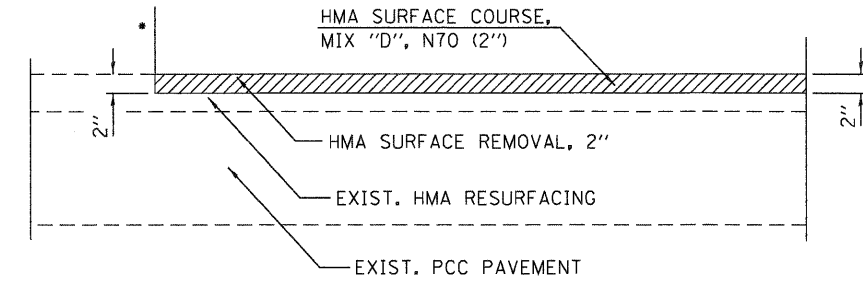


BUTT JOINT DETAIL

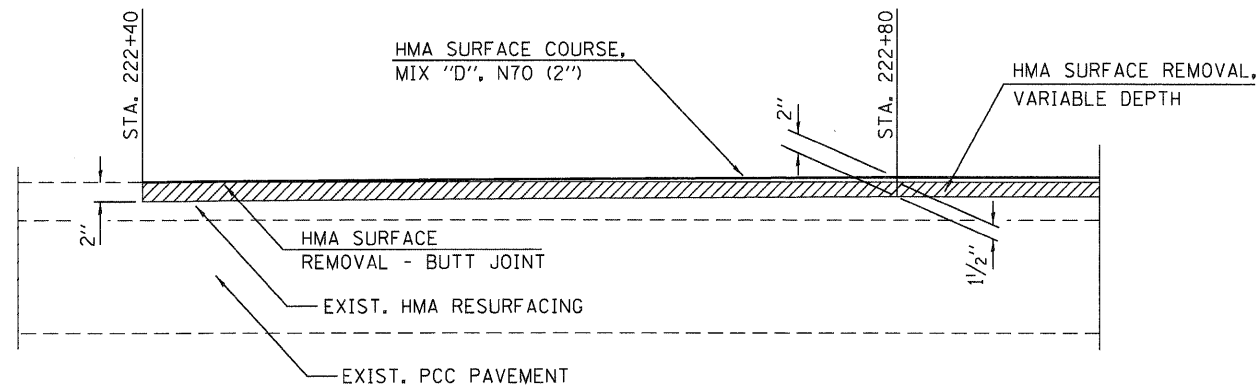
SN 043-0002
 STA. 228+20 TO STA. 228+60 (EB) (CONSTRUCTION B)



BUTT JOINT DETAIL

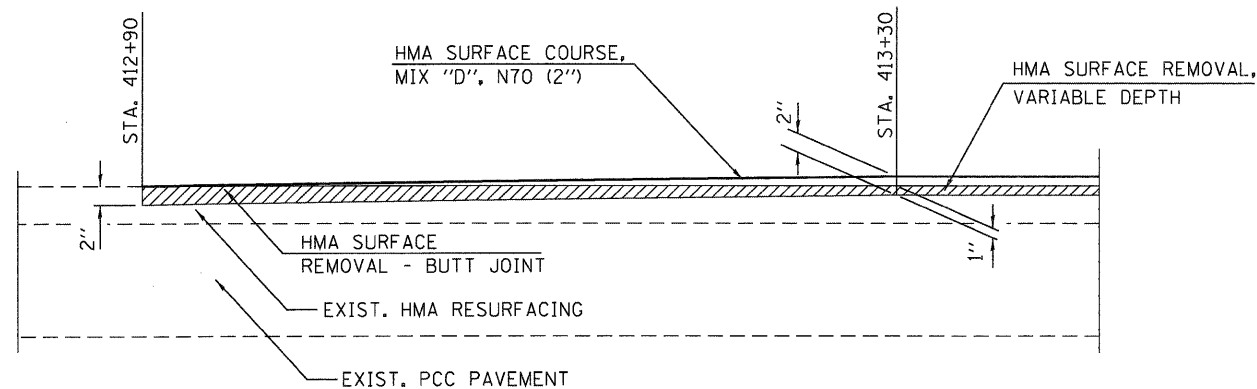
* BEGIN OR END OF IMPROVEMENT

- STA. 221+04 TO STA. 224+05 (EB) SN 043-0002
- STA. 227+10 TO STA. 229+69 (WB) SN 043-0003
- STA. 333+11.50 TO STA. 335+30 (EB) SN 043-0004
- STA. 339+50 TO STA. 334+33 (EB) SN 043-0004
- STA. 324+82 TO STA. 326+40 (WB) SN 043-0005
- STA. 331+05 TO STA. 338+08 (WB) SN 043-0005
- STA. 415+85 TO STA. 419+11 (WB) SN 043-0006
- STA. 482+06 TO STA. 484+10 (EB) SN 043-0007
- STA. 489+00 TO STA. 492+42 (EB) SN 043-0007



BUTT JOINT DETAIL

SN 043-0003
 STA. 222+40 TO STA. 222+80 (WB)



BUTT JOINT DETAIL

SN 043-0006
 STA. 412+90 TO STA. 413+30 (WB)

USER NAME = gjameson	DESIGNED -	REVISED -
FILE NAME = Z03207Details-SHT.dwg	CHECKED -	REVISED -
PLOT DATE = 12/6/2011	DRAWN -	REVISED -
PLOT TIME = 10:19:33 AM	CHECKED -	REVISED -

WHKS & CO.
 ENGINEERING
 1701 ROUTE 35 NORTH
 EAST DUBUQUE, IL 61025
 (815) 747-8833
 DESIGN FIRM #184001036

STATE OF ILLINOIS
DEPARTMENT OF TRANSPORTATION

US 20 BUTT JOINT DETAILS

SCALE: NTS SHEET NO. 1 OF 1 SHEETS STA. TO STA.

F.A.P. RTE.	SECTION	COUNTY	TOTAL SHEETS	SHEET NO.
301	(43B,44B,44HB,45B)D	JO DAVIESS	309	80
CONTRACT NO. 64C94			ILLINOIS FED. AID PROJECT	