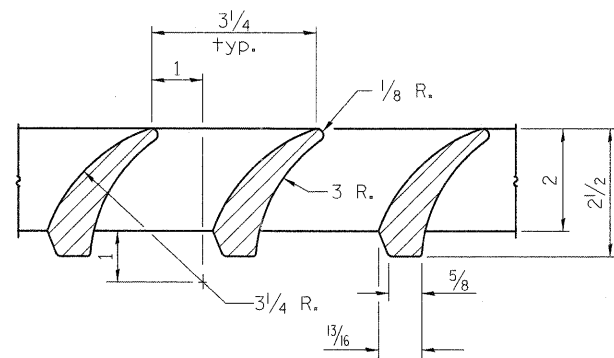


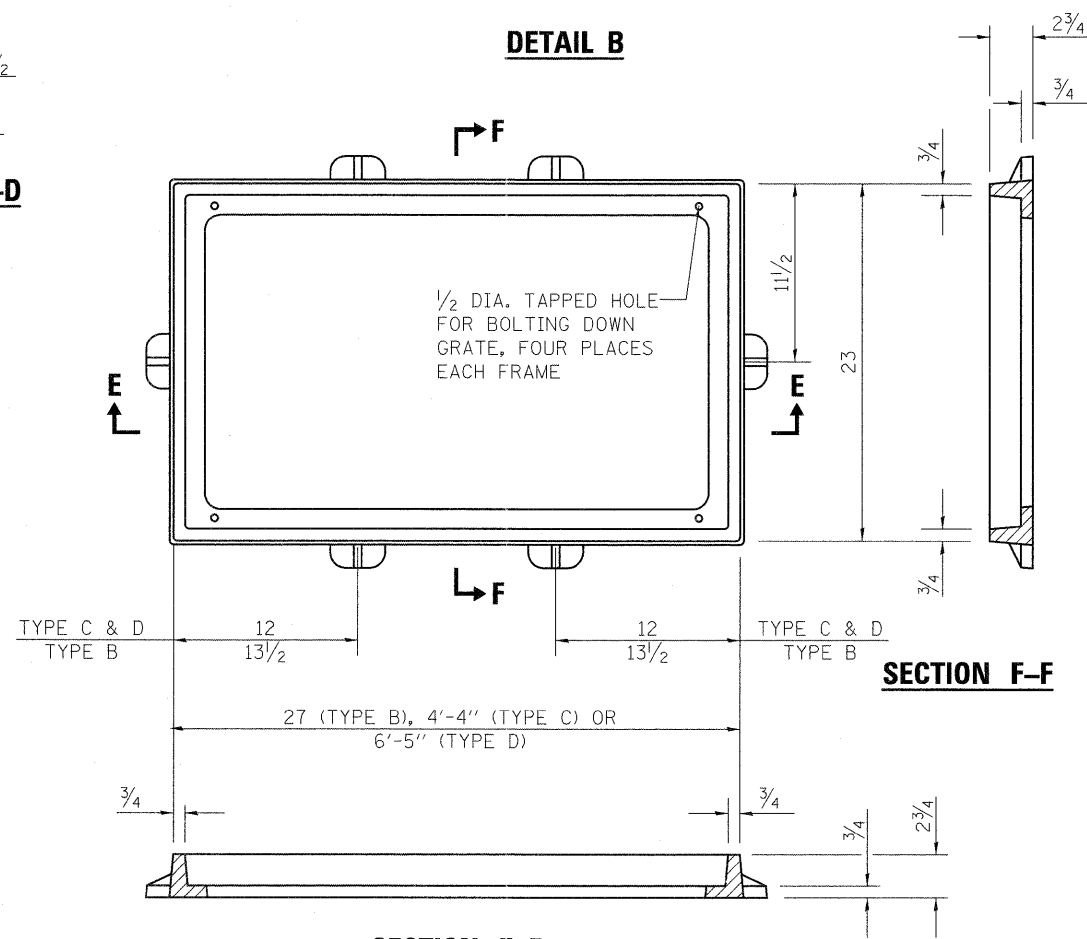
SECTION C-C

DETAIL OF CAST GRATE

TYPE B REQUIRES 1 GRATE
 TYPE C REQUIRES 2 GRATES
 TYPE D REQUIRES 3 GRATES

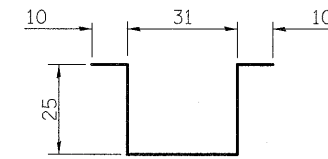


DETAIL B

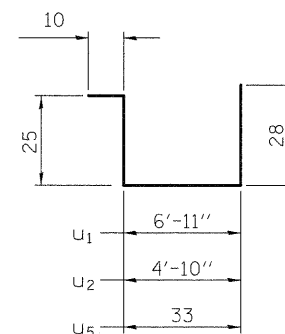


SECTION E-E

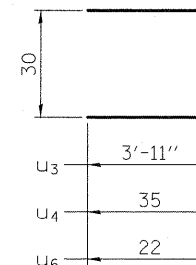
DETAIL OF CAST FRAME



BAR u



BARS u1, u2 & u5



BARS u3, u4 & u6

INLET BOX

REQUIRED MATERIAL

TYPE B

BAR	QTY.	SIZE	LENGHT
u	4	No. 4	8'-5"
u5	3	No. 4	8'-0"
u6	4	No. 4	6'-2"

CONCRETE	CU. YD.	0.5
REINF. BARS	LBS.	55.0
GRATING	SQ. FT.	3.6

TYPE C

BAR	QTY.	SIZE	LENGHT
u	6	No. 4	8'-5"
u2	3	No. 4	10'-1"
u4	4	No. 4	8'-4"

CONCRETE	CU. YD.	0.8
REINF. BARS	LBS.	76
GRATING	SQ. FT.	7.3

TYPE D

BAR	QTY.	SIZE	LENGHT
u	8	No. 4	8'-5"
u1	3	No. 4	12'-2"
u3	4	No. 4	10'-4"

CONCRETE	CU. YD.	1.1
REINF. BARS	LBS.	97.0
GRATING	SQ. FT.	10.9

SN	LOCATION	INLET TYPE	SHOULDER WIDTH (FT)	O-O GRATING FRAME	INLET BOX INSIDE WIDTH	L1 (FT)	L2 (FT)	L3 (FT)	W1 (FT)	W2 (FT)	S (%)
043-0002	STA. 226+97, 15.63' RT	B	4.82	2'-3"	1'-10"	10	4.99	5.01	3.63	4.05	4.50
043-0003	STA. 226+39, 16.57' RT	B	5.76	2'-3"	1'-10"	12	7.55	4.45	4.57	4.99	4.50
043-0004	STA. 338+49.55, 16.92' LT	B	4.92	2'-3"	1'-10"	10	5	5	4.92	5.34	4.50
043-0005	STA. 330+24.3, 16.92' LT	B	4.92	2'-3"	1'-10"	10	4.63	5.37	4.92	5.34	4.50
043-0006	STA. 415+40, 22.67' LT	D	10.67	6'-5"	6'-0"	9.52	4.52	5	10.67	11.09	1.50
043-0006	STA. 415+40, 18.17' RT	C	6.17	4'-4"	3'-11"	9.52	4.52	5	6.17	6.59	1.50
043-0007	STA. 485+67.50, 17.94' LT	C	5.94	4'-4"	3'-11"	12	8.19	3.81	5.94	6.36	4.50

USER NAME = #OPERATOR#
 FILE NAME = #FILES#
 PLOT DATE = Thu Dec 08 10:37:35
 PLOT TIME = #TIME#

DESIGNED -
 CHECKED -
 DRAWN -
 CHECKED -

REVISED -
 REVISED -
 REVISED -
 REVISED -

WHKS & CO.
ENGINEERING

1701 ROUTE 35 NORTH
 EAST DUBUQUE, IL 61025
 (815) 747-8833
 DESIGN FIRM #184001036

STATE OF ILLINOIS
DEPARTMENT OF TRANSPORTATION

US 20 INLET BOX DETAILS,
STANDARD 609006 (SPECIAL)

SCALE: NTS SHEET NO. 2 OF 2 SHEETS STA. TO STA.

F.A.P. RTE.	SECTION	COUNTY	TOTAL SHEETS	SHEET NO.
301	(43B,44B,44HB,45B)D	JO DAVIESS	309	84
CONTRACT NO. 64C94				
ILLINOIS FED. AID PROJECT				