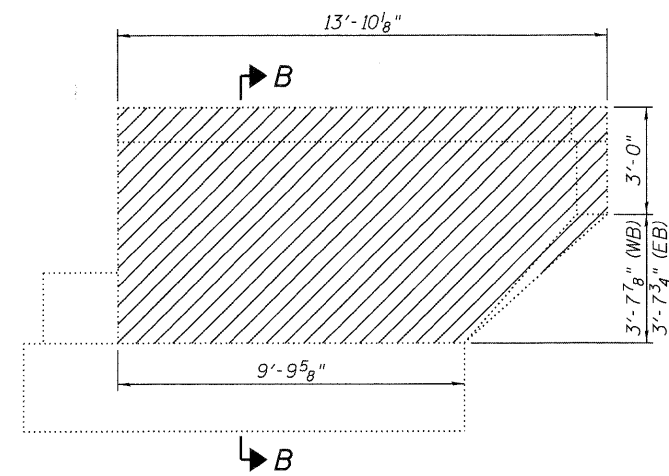
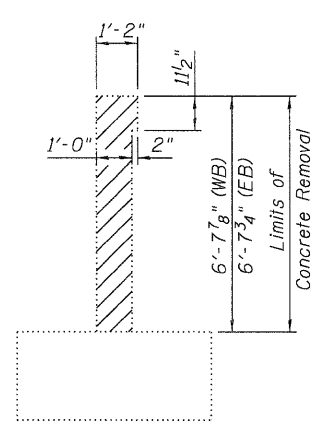


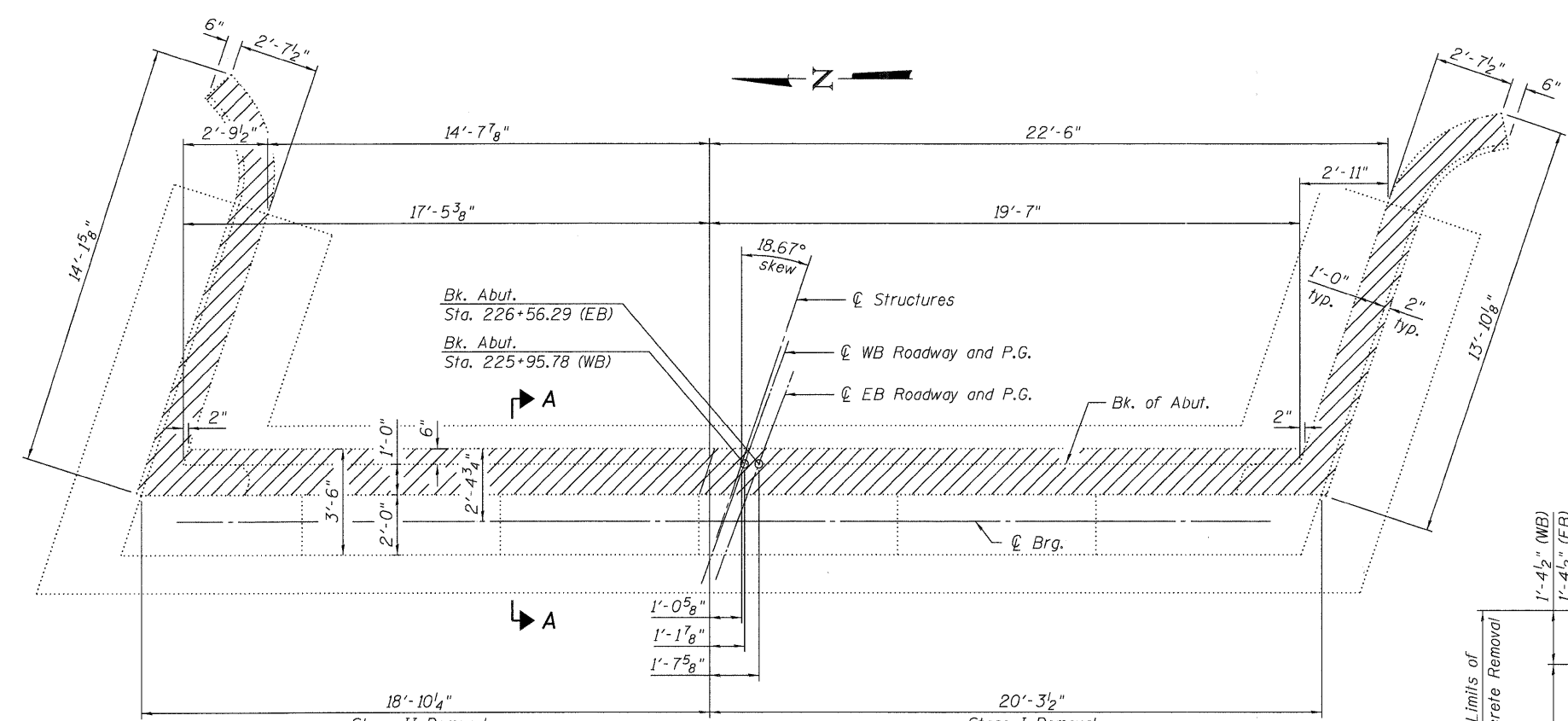
ELEVATION



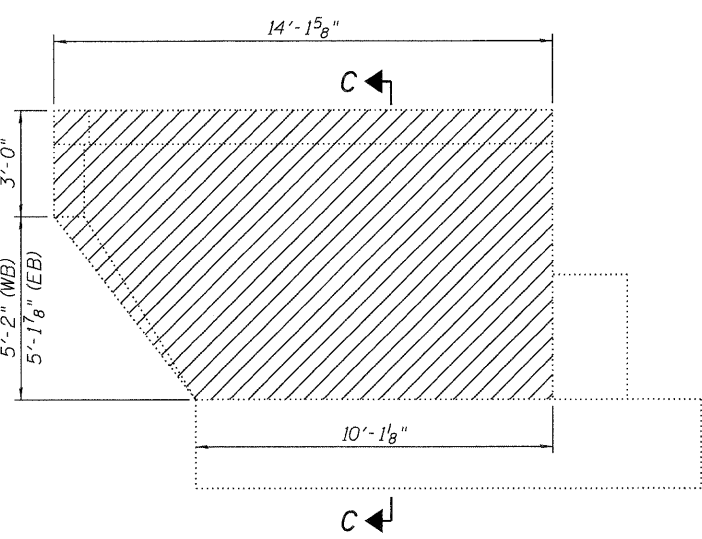
SOUTH WINGWALL ELEVATION



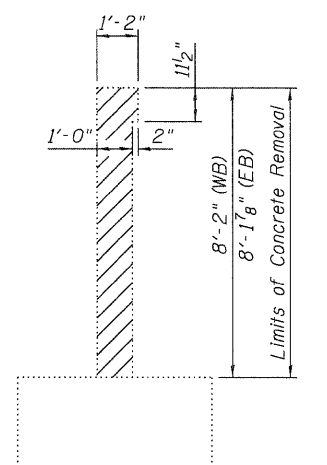
SECTION B-B



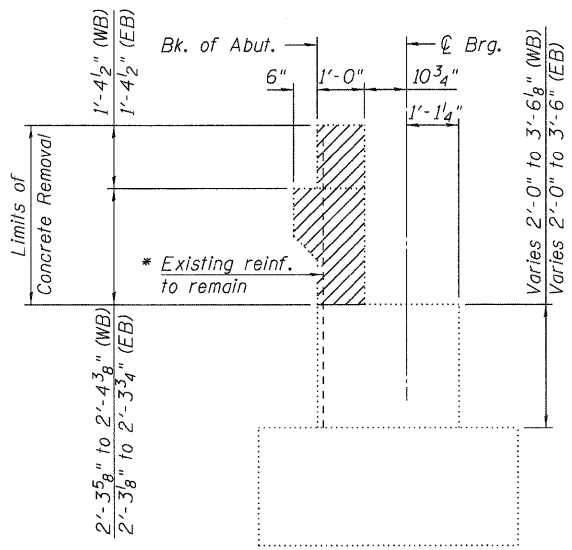
PLAN



NORTH WINGWALL ELEVATION



SECTION C-C



SECTION A-A
(Showing limits of concrete removal)

* Existing reinforcement shall be cleaned and incorporated into the new construction. Cost included with Concrete Removal.

Note:
Hatched areas indicate Concrete Removal.

**TWO ABUTMENTS
BILL OF MATERIALS**

Item	Unit	Total
Concrete Removal	Cu. Yd.	26.6

USER NAME = dheberling	DESIGNED - RJN/BRD	REVISED -
FILE NAME = 043002&3-64C94.dgn	CHECKED - SBC	REVISED -
PLOT DATE = 12/6/2011	DRAWN - DLH	REVISED -
PLOT TIME = 10:03:11 AM	CHECKED - SBC	REVISED -

WHKS & CO.
ENGINEERING
7018 KINGSMILL CT.,
SPRINGFIELD, IL
(217) 483-9457
DESIGN FIRM #184001036

**STATE OF ILLINOIS
DEPARTMENT OF TRANSPORTATION**

**EAST ABUTMENTS CONCRETE REMOVAL
STRUCTURE NO. 043-002 & 043-003**

SHEET NO. 22 OF 28 SHEETS

F.A.P. RTE.	SECTION	COUNTY	TOTAL SHEETS	SHEET NO.
301	(43B, 44B, 44HB, 45B)	JO DAVIESS	309	107
CONTRACT NO. 64C94			ILLINOIS FED. AID PROJECT	