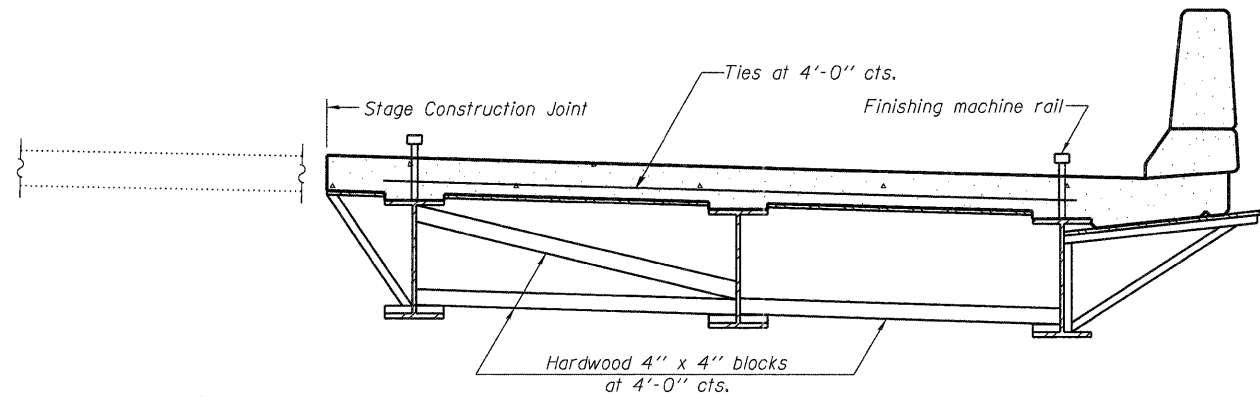


When cantilever forming brackets are used, the work shall be done according to Article 503.06(b) of the Standard Specifications, except as modified below and in the details shown on this sheet.

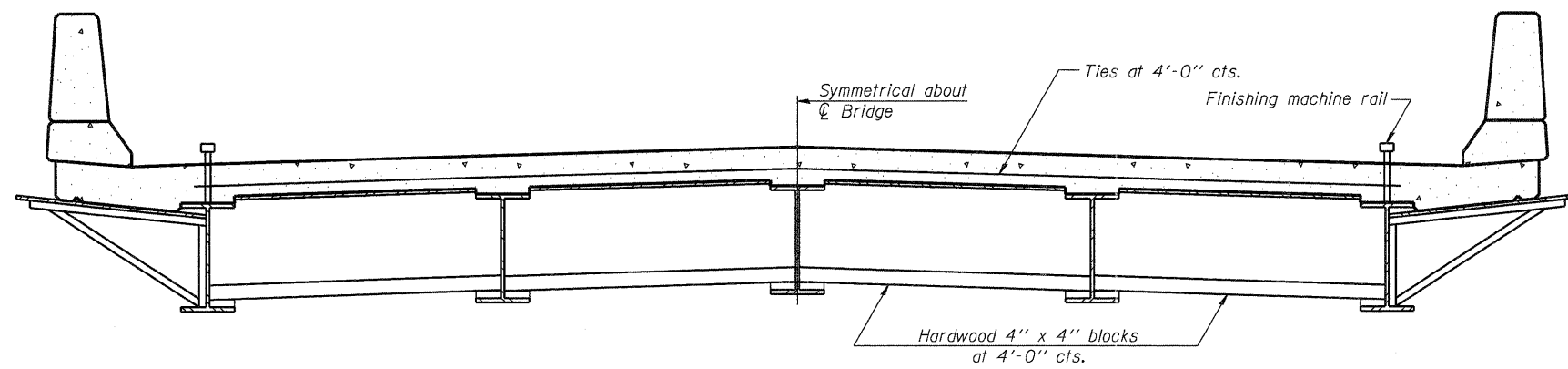
The finishing machine rails shall be placed on the top flange of the exterior beams.

The beams or girders, supporting cantilever forming brackets, shall be tied together at 4 foot intervals.

For Standard construction, or Stage Construction the Hardwood bracing materials shall be placed as shown between webs of beams in each bay.



**FORM BRACES FOR
STAGE CONSTRUCTION**



**FORM BRACES FOR
STANDARD CONSTRUCTION**

SB-1

7-1-10

USER NAME = dheberling	DESIGNED - RJN/BRD	REVISED -		7018 KINGSMILL CT., SPRINGFIELD, IL (217) 483-9457 DESIGN FIRM #184001036	STATE OF ILLINOIS DEPARTMENT OF TRANSPORTATION	CANTILEVER FORMING BRACKETS STRUCTURE NO. 043-0002 & 043-0003	F.A.P. RTE.	SECTION	COUNTY	TOTAL SHEETS	SHEET NO.
FILE NAME = 04300283-64C94.dgn	CHECKED - SBC	REVISED -					301	(43B, 44B, 44HB, 45BD)	JO DAVIESS	309	113
PLOT DATE = 12/6/2011	DRAWN - DLH	REVISED -					CONTRACT NO. 64C94				
PLOT TIME = 10:03:29 AM	CHECKED - SBC	REVISED -					ILLINOIS FED. AID PROJECT				
						SHEET NO. 28 OF 28 SHEETS					