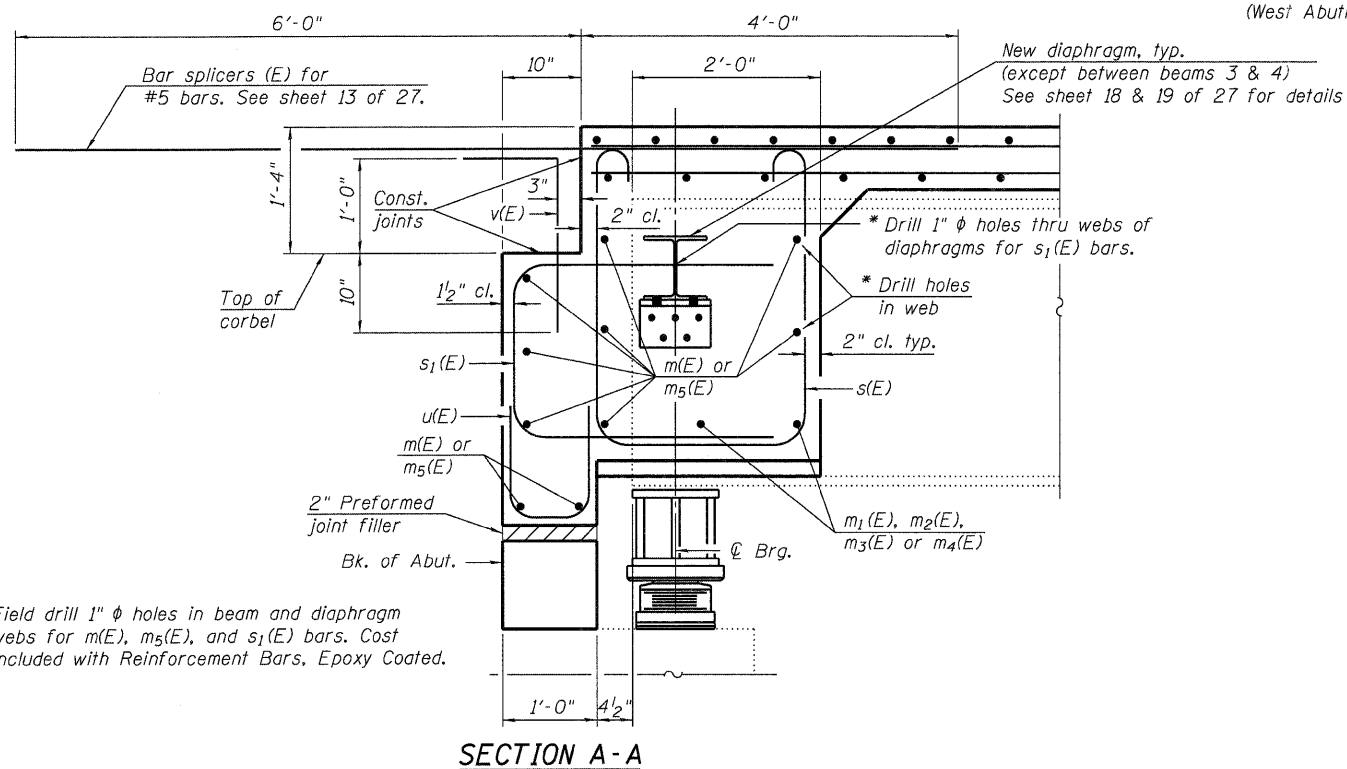


DIAPHRAGM ELEVATION AT EAST ABUTMENTS

(Looking East)
(West Abutments similar by rotation of 180°)

Notes:
Reinforcement bars in diaphragm are billed with superstructure on sheet 15 of 27.
Concrete in diaphragm is included with Concrete Superstructure on sheet 15 of 27.
For details of bars s(E) & s1(E) see sheet 15 of 27.



TOP OF CORBEL ELEVATIONS

Structure #	Abutment	Location	Corbel Elevation
043-0004 (E.B.)	West Abut.	Inside Face of N. Parapet	674.14
		Inside Face of S. Parapet	675.70
	East Abut.	Inside Face of N. Parapet	668.58
		Inside Face of S. Parapet	670.22
043-0005 (W.B.)	West Abut.	Inside Face of N. Parapet	674.79
		Inside Face of S. Parapet	676.35
	East Abut.	Inside Face of N. Parapet	669.27
		Inside Face of S. Parapet	670.93