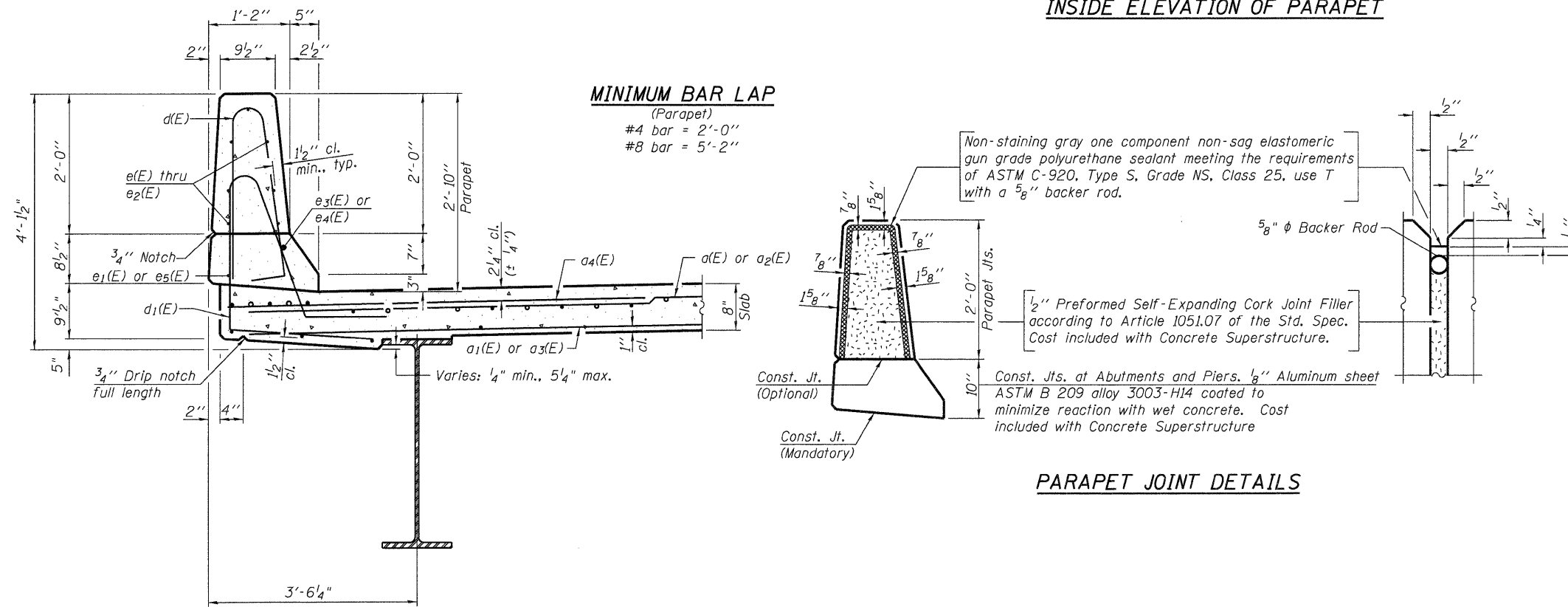


INSIDE ELEVATION OF PARAPET



SECTION THRU PARAPET

MINIMUM BAR LAP

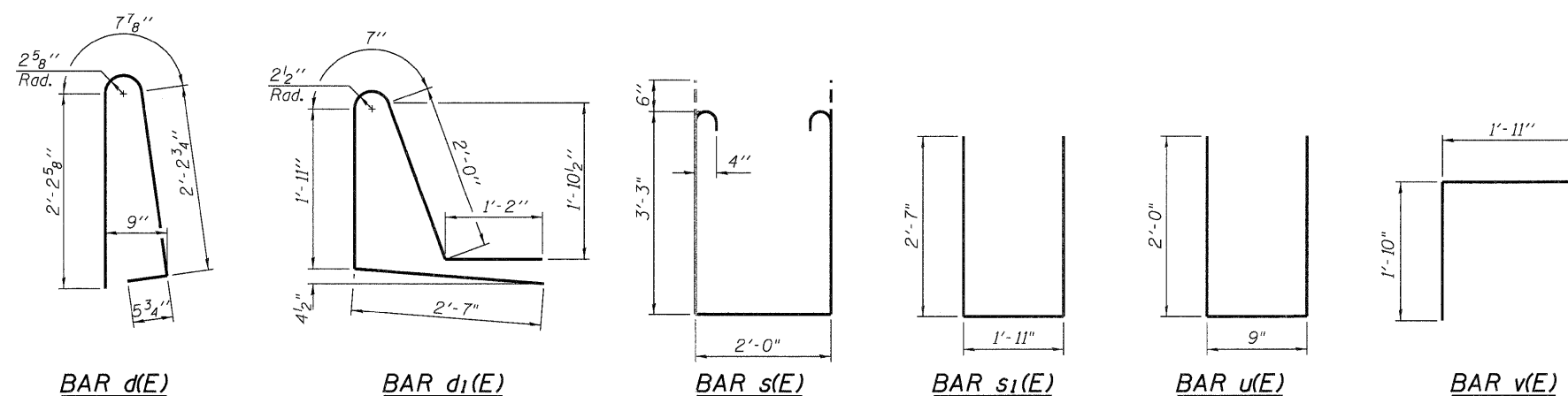
(Parapet)
 #4 bar = 2'-0"
 #8 bar = 5'-2"

Non-staining gray one component non-sag elastomeric gun grade polyurethane sealant meeting the requirements of ASTM C-920, Type S, Grade NS, Class 25, use T with a 5/8" backer rod.

1/2" Preformed Self-Expanding Cork Joint Filler according to Article 1051.07 of the Std. Spec. Cost included with Concrete Superstructure.

Const. Jts. at Abutments and Piers. 1/8" Aluminum sheet ASTM B 209 alloy 3003-H14 coated to minimize reaction with wet concrete. Cost included with Concrete Superstructure

PARAPET JOINT DETAILS



SUPERSTRUCTURE
 BILL OF MATERIAL
 TWO STRUCTURES

Bar	No.	Size	Length	Shape
a(E)	556	#5	17'-2"	—
a1(E)	472	#5	17'-5"	—
a2(E)	556	#5	20'-4"	—
a3(E)	472	#5	20'-7"	—
a4(E)	556	#6	6'-6"	—
b(E)	602	#5	30'-2"	—
b1(E)	156	#6	41'-7"	—
b2(E)	592	#5	26'-9"	—
d(E)	856	#5	5'-7"	—
d1(E)	856	#5	8'-3"	—
e(E)	168	#4	17'-5"	—
e1(E)	128	#4	8'-9"	—
e2(E)	112	#4	13'-3"	—
e3(E)	24	#8	29'-6"	—
e4(E)	16	#8	8'-9"	—
e5(E)	36	#4	19'-3"	—
m(E)	40	#6	17'-5"	—
m1(E)	16	#6	3'-1"	—
m2(E)	32	#6	6'-1"	—
m3(E)	8	#6	1'-4"	—
m4(E)	8	#6	4'-6"	—
m5(E)	40	#6	20'-7"	—
s(E)	148	#5	9'-6"	U
s1(E)	172	#5	7'-1"	U
u(E)	156	#5	4'-9"	U
v(E)	160	#5	3'-9"	Γ
Concrete Superstructure			Cu. Yd.	575.8
Bar Splicers			Each	1,236
Reinforcement Bars, Epoxy Coated			Pound	116,720

Bars indicated thus 1 x 2-#8 etc. indicates 1 line of bars with 2 lengths per line.

USER NAME = dheberling	DESIGNED - BRD	REVISED -
FILE NAME = 0430024&5-64C94.dwg	CHECKED - SDS	REVISED -
PLOT DATE = 12/6/2011	DRAWN - DLH	REVISED -
PLOT TIME = 10:07:15 AM	CHECKED - BRD/SDS	REVISED -

WHKS & CO.
 ENGINEERING
 7018 KINGSMILL CT.,
 SPRINGFIELD, IL
 (217) 483-9457
 DESIGN FIRM #184001036

STATE OF ILLINOIS
 DEPARTMENT OF TRANSPORTATION

SUPERSTRUCTURE DETAILS
 STRUCTURE NO. 043-0004 & 043-0005

SHEET NO. 15 OF 27 SHEETS

F.A.P. RTE. 301	SECTION (43B, 44B, 44HB, 45BD)	COUNTY JO DAVIESS	TOTAL SHEETS 309	SHEET NO. 128
CONTRACT NO. 64C94			ILLINOIS FED. AID PROJECT	