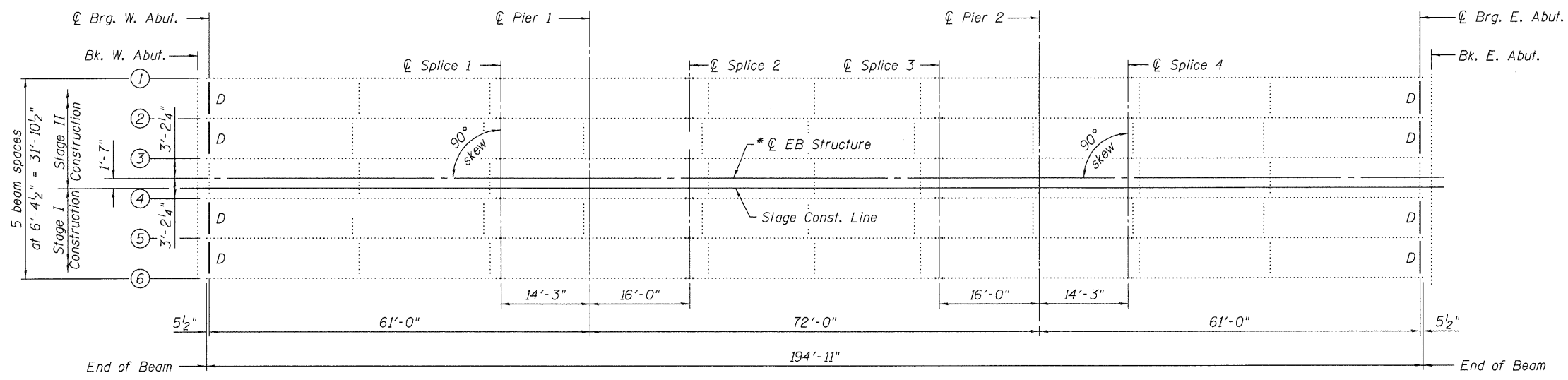


FRAMING PLAN-WESTBOUND
(S.N. 046-0005)

Notes:
All existing beams are 36WF160.
* See sheet 2 of 27 for location of \varnothing EB and WB Structures relative to their Local Tangents.



FRAMING PLAN-EASTBOUND
(S.N. 046-0004)

USER NAME = dheber.ling	DESIGNED - BRD	REVISED -		7018 KINGSMILL CT., SPRINGFIELD, IL (217) 483-9457 DESIGN FIRM #184001036	STATE OF ILLINOIS DEPARTMENT OF TRANSPORTATION	FRAMING PLAN STRUCTURE NO. 043-0004 & 043-0005	F.A.P. RTE.	SECTION	COUNTY	TOTAL SHEETS	SHEET NO.
FILE NAME = 0430004&5-64C94.dwg	CHECKED - SDS	REVISED -					301	(43B, 44B, 44HB, 45B/D)	JO DAVIESS	309	131
PLOT DATE = 12/6/2011	DRAWN - DLH	REVISED -					CONTRACT NO. 64C94				
PLOT TIME = 10:07:25 AM	CHECKED - BRD/SDS	REVISED -					ILLINOIS FED. AID PROJECT				