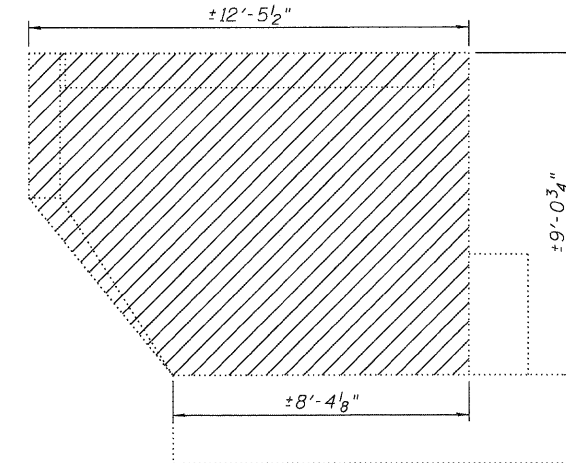
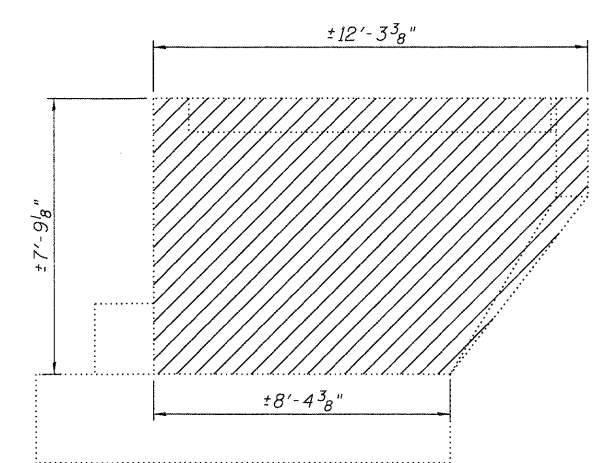


ELEVATION

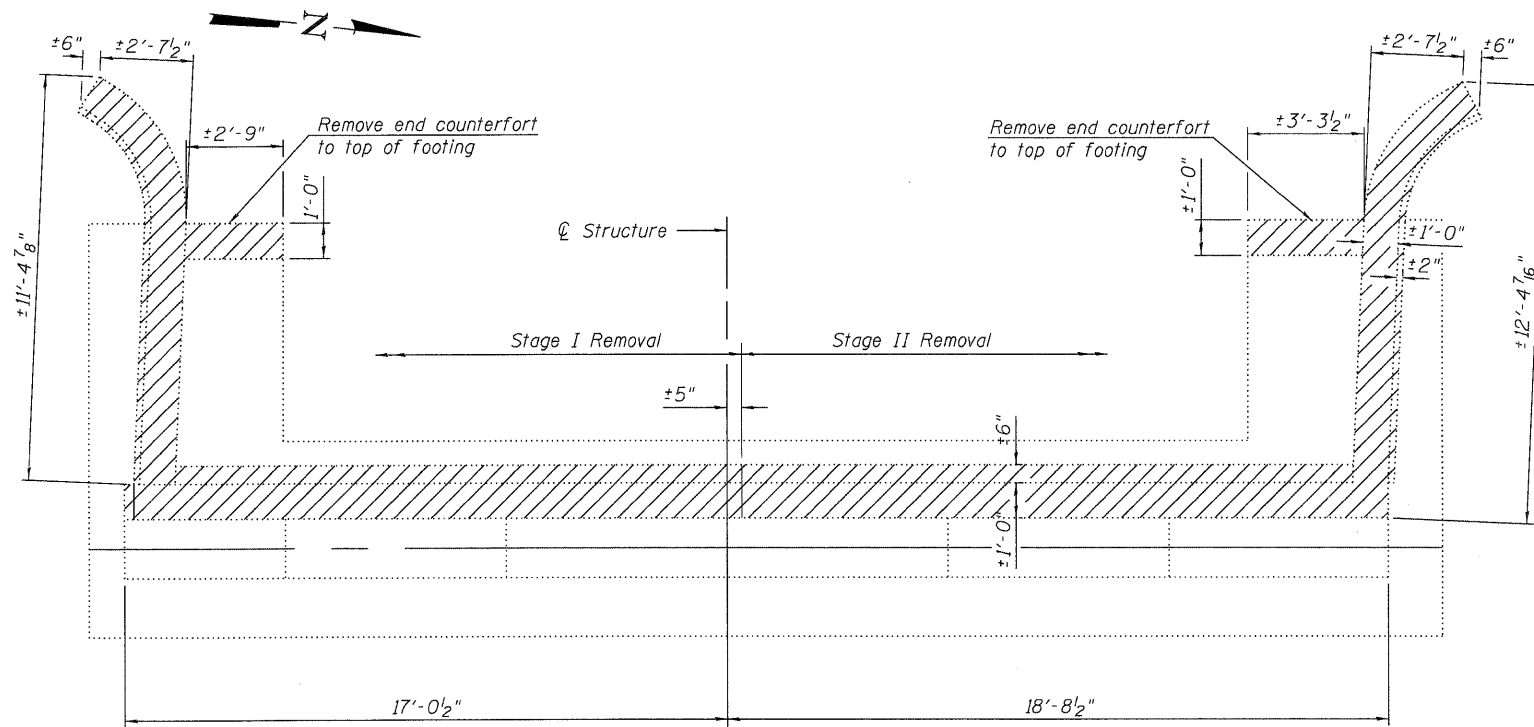


SOUTH WINGWALL ELEVATION

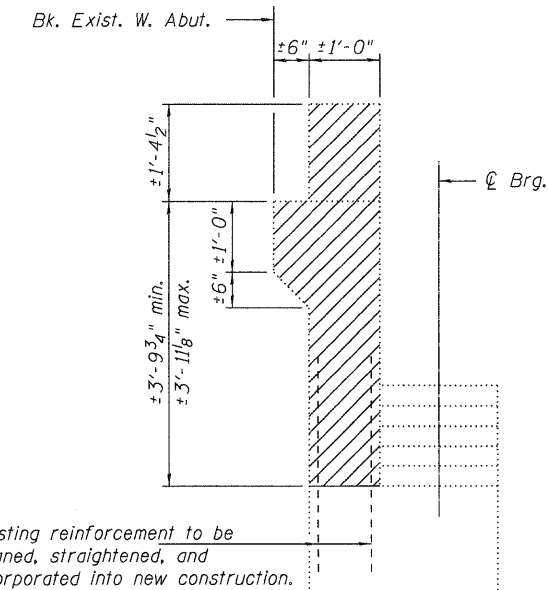


NORTH WINGWALL ELEVATION

Notes:
 Hatched areas indicate Concrete Removal. Existing reinforcement extending into removal areas shall be cleaned, straightened and incorporated into new construction. Cost included with Concrete Removal.



PLAN



SECTION A-A

**BILL OF MATERIALS
TWO ABUTMENTS**

Item	Unit	Total
Concrete Removal	Cu. Yd.	25.7

USER NAME = dheberling	DESIGNED - BRD	REVISED -
FILE NAME = 0430004&5-64C94.dwg	CHECKED - SDS	REVISED -
PLOT DATE = 12/6/2011	DRAWN - DLH	REVISED -
PLOT TIME = 10:07:35 AM	CHECKED - BRD/SDS	REVISED -

WHKS & co.
 ENGINEERING
 7018 KINGSMILL CT.,
 SPRINGFIELD, IL
 (217) 483-9457
 DESIGN FIRM #184001036

**STATE OF ILLINOIS
DEPARTMENT OF TRANSPORTATION**

**WEST ABUTMENTS CONCRETE REMOVAL
STRUCTURE NO. 043-0004 & 043-0005**

SHEET NO. 21 OF 27 SHEETS

F.A.P. RTE.	SECTION	COUNTY	TOTAL SHEETS	SHEET NO.
301	(43B, 44B, 44HB, 45B)D	JO DAVIESS	309	134
CONTRACT NO. 64C94				
ILLINOIS FED. AID PROJECT				