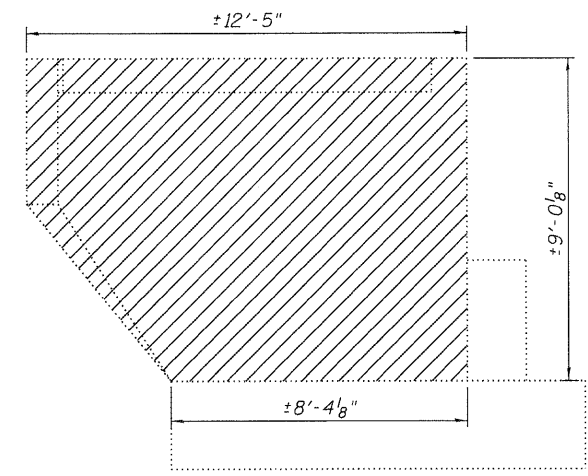
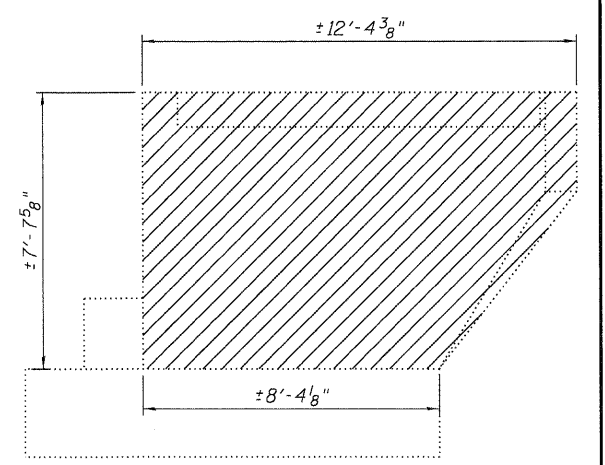


ELEVATION

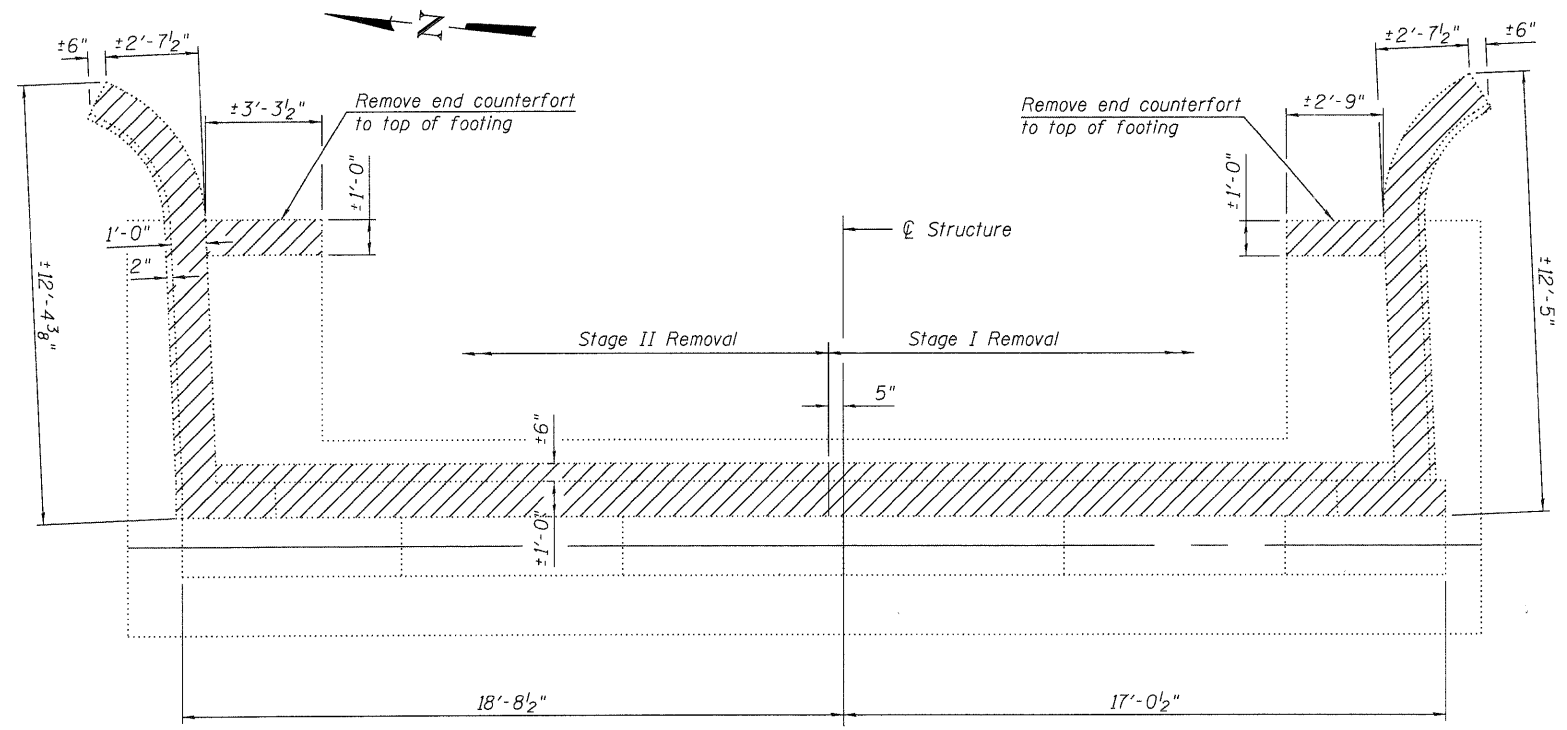
Notes:
Hatched areas indicate Concrete Removal. Existing reinforcement extending into removal areas shall be cleaned, straightened and incorporated into new construction. Cost included with Concrete Removal.



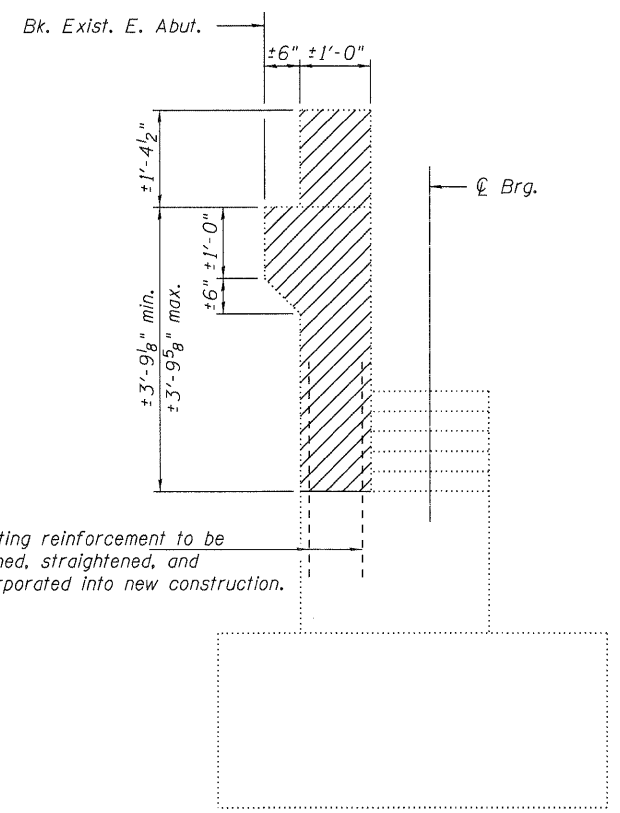
S.E. WINGWALL ELEVATION



N.E. WINGWALL ELEVATION



PLAN



SECTION A-A

**BILL OF MATERIALS
TWO ABUTMENTS**

Item	Unit	Total
Concrete Removal	Cu. Yd.	25.7

USER NAME = dheber1.rtg	DESIGNED - BRD	REVISED -
FILE NAME = 0430004&5-64C94.dwg	CHECKED - SDS	REVISED -
PLOT DATE = 12/6/2011	DRAWN - DLH	REVISED -
PLOT TIME = 10:07:37 AM	CHECKED - BRD/SDS	REVISED -

WHKS & CO.
ENGINEERING
7018 KINGSMILL CT.,
SPRINGFIELD, IL
(217) 483-9457
DESIGN FIRM #184001038

**STATE OF ILLINOIS
DEPARTMENT OF TRANSPORTATION**

**EAST ABUTMENTS CONCRETE REMOVAL
STRUCTURE NO. 043-0004 & 043-0005**

SHEET NO. 22 OF 27 SHEETS

F.A.P. RTE. 301	SECTION (43B, 44B, 44HB, 45B/D)	COUNTY JO DAVIESS	TOTAL SHEETS 309	SHEET NO. 135
CONTRACT NO. 64C94			ILLINOIS FED. AID PROJECT	