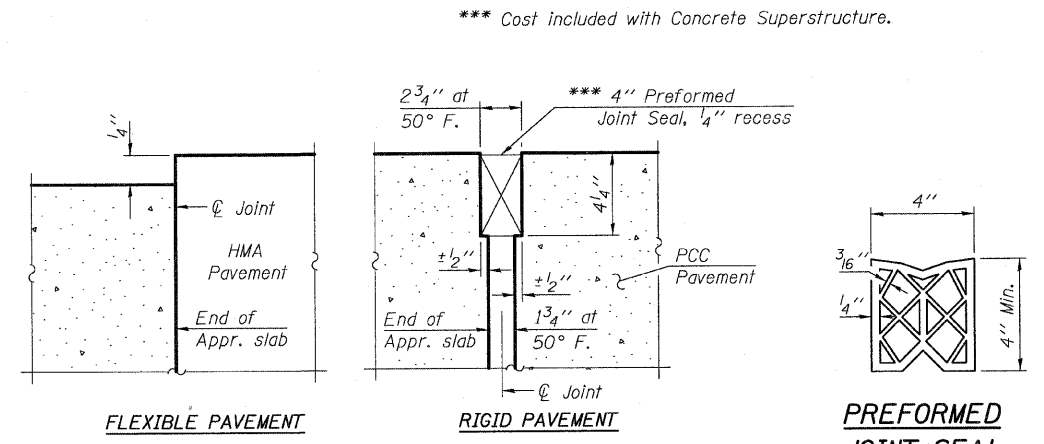


PLAN

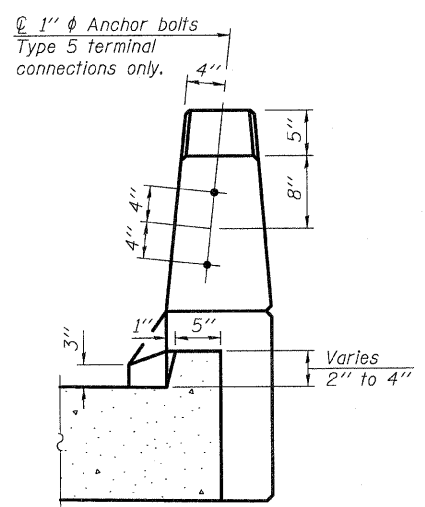
(East approach shown)

- * Tilt #9 b₄(E) bars as required to maintain clearance.
- ** Space between a₅(E) or a₆(E) bars, typ. ea. parapet.

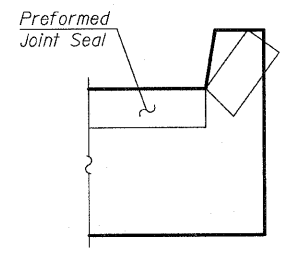
Note:
1. See sheet S14 of S21 for Sections C-C & D-D and View E-E.



DETAIL A

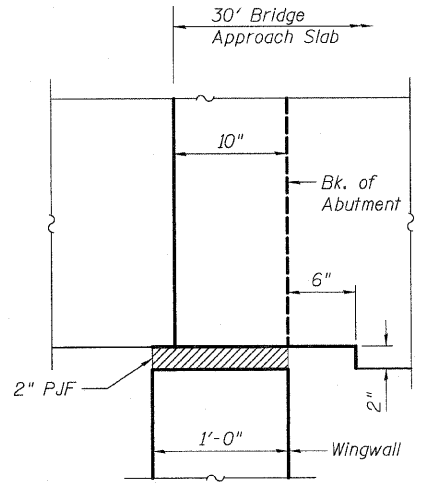


VIEW B-B



VIEW F-F

Angle Preformed Joint Seal at 45° at curbs when req'd for drainage.



DETAIL G

(Parapet not included)

(Sheet 1 of 2)



USER NAME =	TERRA	DESIGNED -	EA	REVISED -	
FILE NAME =	D430006-213-Appr_Slab.dgn	CHECKED -	OY	REVISED -	
PLOT SCALE =		DRAWN -	CM	REVISED -	
PLOT DATE =	1/31/2012	CHECKED -	JB	REVISED -	

**STATE OF ILLINOIS
DEPARTMENT OF TRANSPORTATION**

**BRIDGE APPROACH SLAB DETAILS
STRUCTURE NO. 043 - 0006**

SHEET NO. S13 OF S21 SHEETS

F.A.P. RTE.	SECTION	COUNTY	TOTAL SHEETS	SHEET NO.
301	(43B, 44B, 44HB, 45B)D	JO DAVIESS	309	153

CONTRACT NO. 64C94
ILLINOIS FED. AID PROJECT