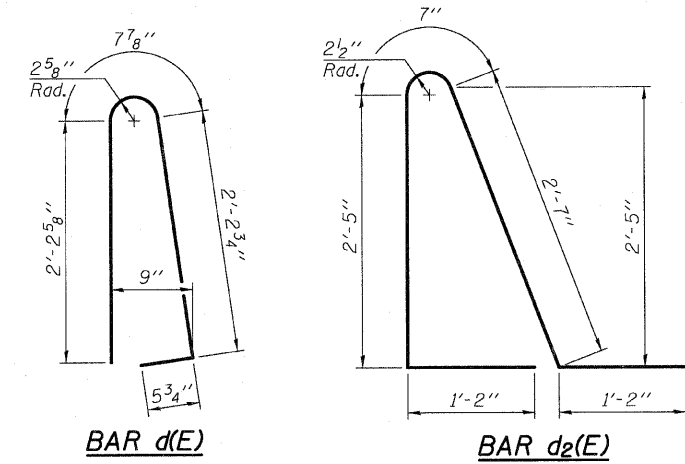
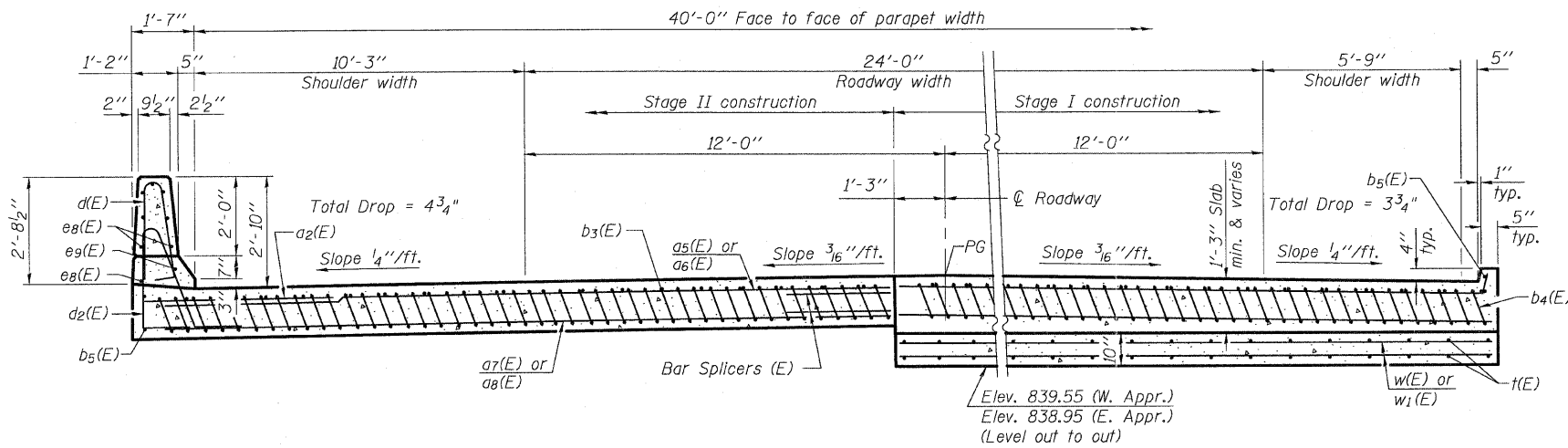


**Notes:**

See sheet S13 of S21 for Detail A and View B-B.  
 Approach slab and parapet concrete shall be paid for as Concrete Superstructure.  
 Approach footing concrete shall be paid for as Concrete Structures.  
 Reinforcement shall be paid for as Reinforcement Bars, Epoxy Coated.  
 For v(E) bar details, see sheet S11 of S21.  
 The approach footing maximum applied service bearing pressure ( $Q_{max}$ ) = 2.0 ksf.  
 For bar splicer details, see sheet S21 of S21.  
 Cost of excavation for approach footing included with Concrete Structures.  
 For Porous Granular Embankment (Special) and drainage treatment details, see sheet S02 of S21.



\* Tilt #9 b4(E) bars as required to maintain clearance.  
 \*\*\* Cost included with Concrete Superstructure.

**TWO APPROACHES  
 BILL OF MATERIAL**

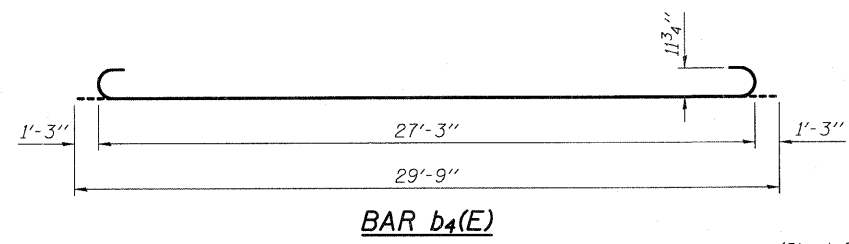
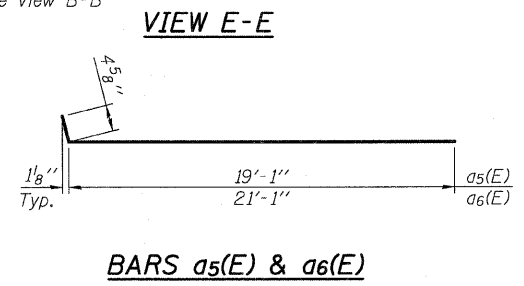
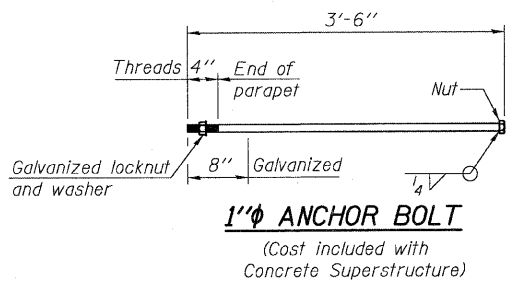
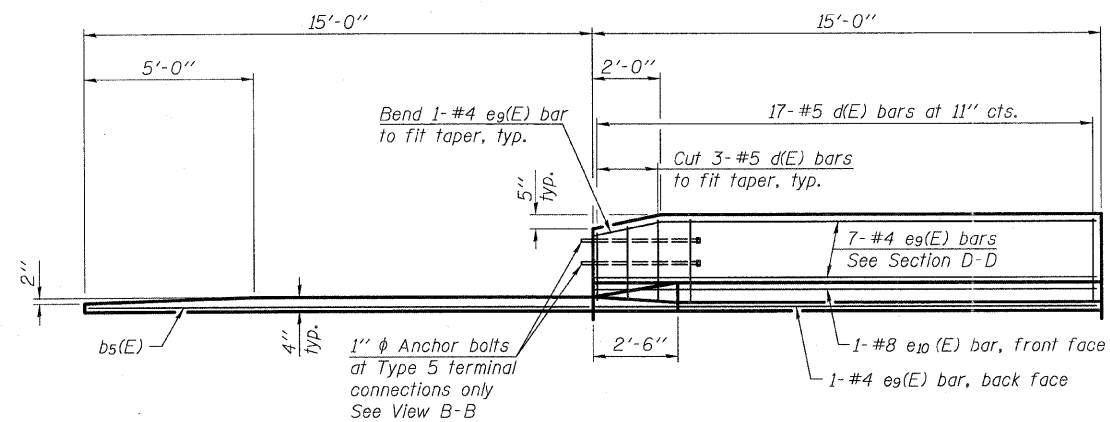
Bar	No.	Size	Length	Shape
a2(E)	48	#6	6'-6"	—
a5(E)	50	#4	19'-7"	—
a6(E)	50	#4	21'-7"	—
a7(E)	92	#5	21'-7"	—
a8(E)	92	#5	19'-7"	—
b3(E)	72	#4	29'-8"	—
b4(E)	184	#9	29'-9"	—
b5(E)	8	#4	14'-8"	—
d(E)	68	#5	5'-7"	⤴
d2(E)	68	#5	7'-11"	⤴
e9(E)	32	#4	14'-8"	—
e10(E)	4	#8	14'-8"	—
t(E)	172	#4	9'-8"	—
w(E)	80	#5	19'-7"	—
w1(E)	80	#5	21'-7"	—
Concrete Superstructure	Cu. Yd.		140.7	
Concrete Structures	Cu. Yd.		27.2	
Reinforcement Bars, Epoxy Coated	Pound		31,900	

**NEAR ABUTMENT**

**AT APPROACH FOOTING**

**SECTION D-D**

(See Plan for dimensions not shown)



(Sheet 2 of 2)



USER NAME =	TERRA	DESIGNED -	EA	REVISED -	
FILE NAME =	D430006-014-Appr-Slab.dgn	CHECKED -	OY	REVISED -	
PLOT SCALE =		DRAWN -	CM	REVISED -	
PLOT DATE =	1/31/2012	CHECKED -	JB	REVISED -	

**STATE OF ILLINOIS  
 DEPARTMENT OF TRANSPORTATION**

**BRIDGE APPROACH SLAB DETAILS  
 STRUCTURE NO. 043 - 0006**

SHEET NO. S14 OF S21 SHEETS

F.A.P. RTE.	SECTION	COUNTY	TOTAL SHEETS	SHEET NO.
301	(43B, 44B, 44HB, 45B)D	JO DAVIESS	309	154
			CONTRACT NO. 64C94	
ILLINOIS FED. AID PROJECT				