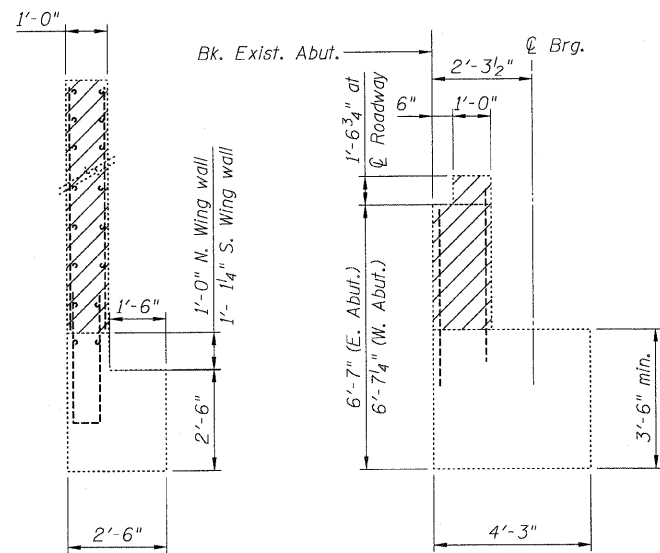
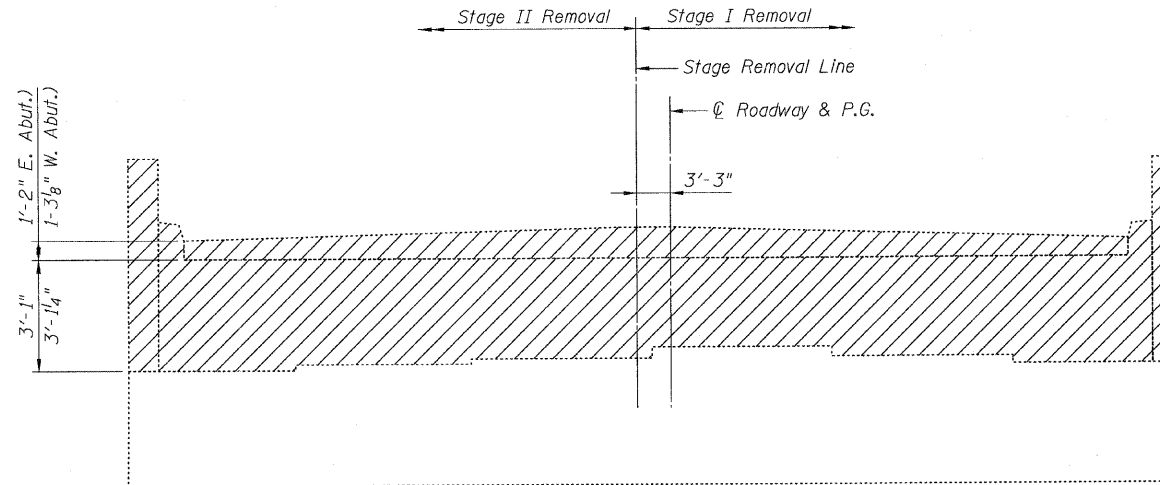


WING WALL ELEVATION



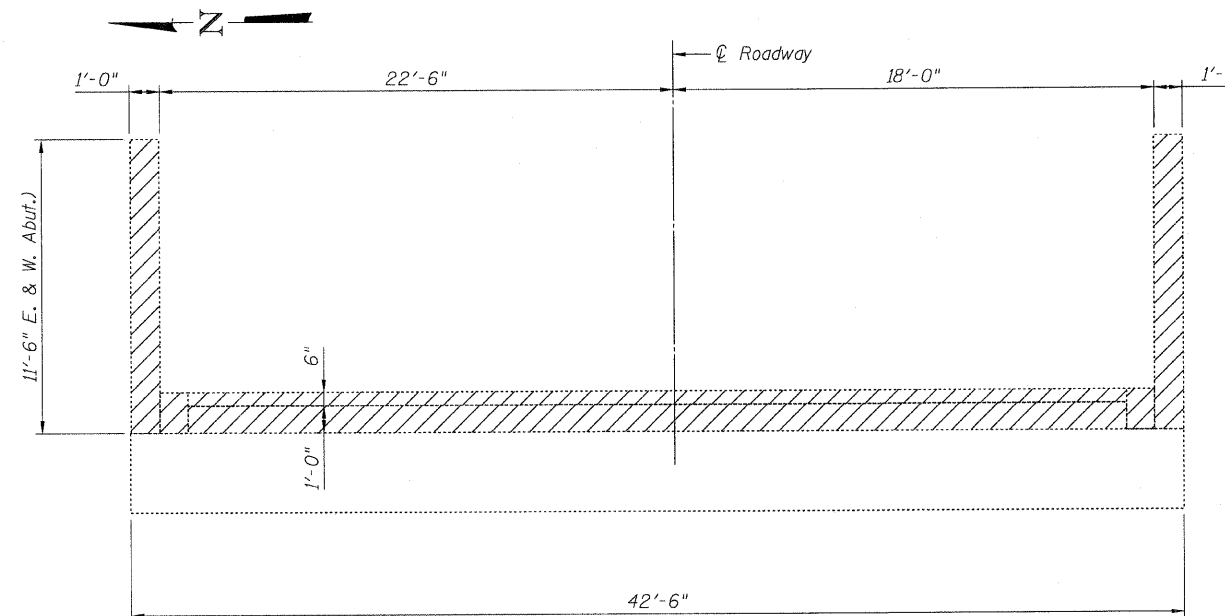
SECTION A-A

SEC. THRU ABUTMENT



ELEVATION OF EAST ABUTMENT
(Looking East, West Abutment Similar)

Notes:
Hatched areas indicate Concrete Removal. Existing reinforcement extending into removed area shall be cleaned, straightened, and incorporated into new construction. Cost included with Concrete Removal.
Remove existing backwall and wingwalls down to elevation of bridge seats.
In addition remove wingwall as required for passage of 4" perforated pipe drain.



PLAN

EAST & WEST ABUTMENTS BILL OF MATERIAL

BEARING SEAT ELEVATION						
	BEAM 1	BEAM 2	BEAM 3	BEAM 4	BEAM 5	BEAM 6
℄ Brg. West Abutment	835.71	835.89	835.97	836.06	835.96	835.82
℄ Brg. East Abutment	835.11	835.23	835.33	835.42	835.30	835.19

Item	Unit	Total
Concrete Removal	Cu. Yd.	32.4



USER NAME = TERRA
FILE NAME = D432025-018-E&W_Abut_removal.dgn
PLOT SCALE =
PLOT DATE = 1/31/2012

DESIGNED - EA
CHECKED - OY
DRAWN - CM
CHECKED - JB

REVISED -
REVISED -
REVISED -
REVISED -

**STATE OF ILLINOIS
DEPARTMENT OF TRANSPORTATION**

**EAST AND WEST ABUTMENTS CONCRETE REMOVAL
STRUCTURE NO. 043 - 0006**

SHEET NO. S18 OF S21 SHEETS

F.A.P. RTE.	SECTION	COUNTY	TOTAL SHEETS	SHEET NO.
301	(43B, 44B, 44HB, 45BD)	JO DAVIESS	309	158

CONTRACT NO. 64C94
ILLINOIS FED. AID PROJECT