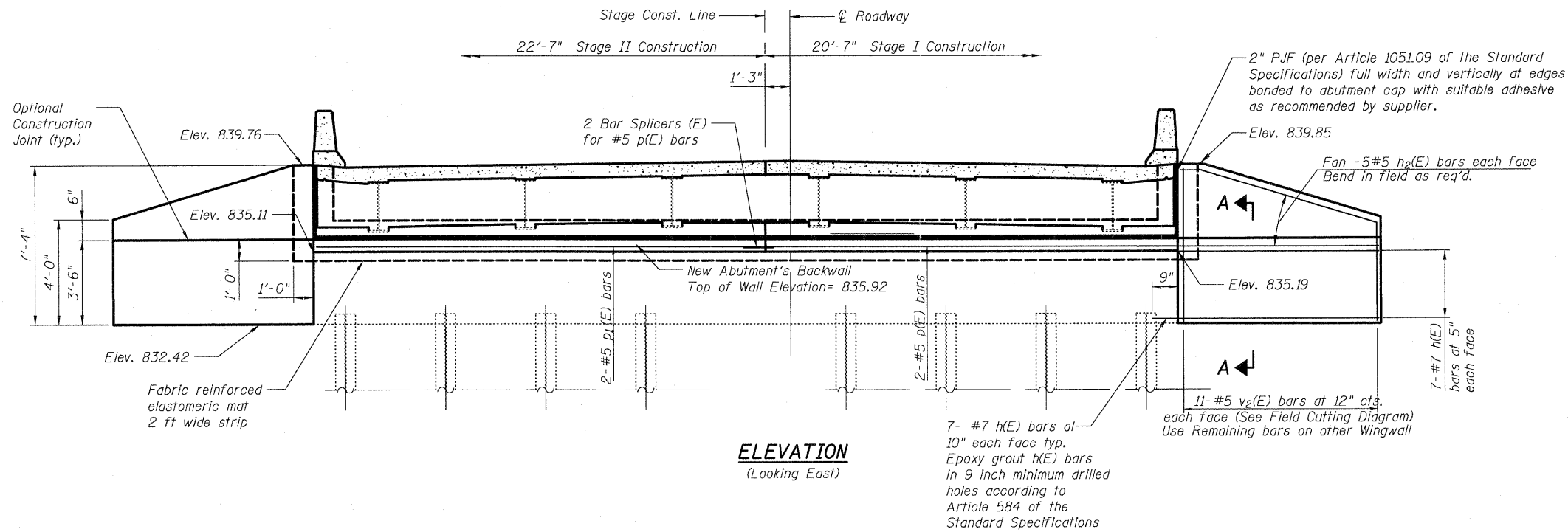
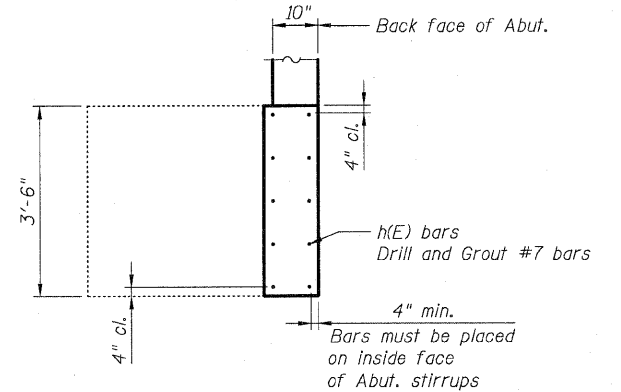


BILL OF MATERIAL

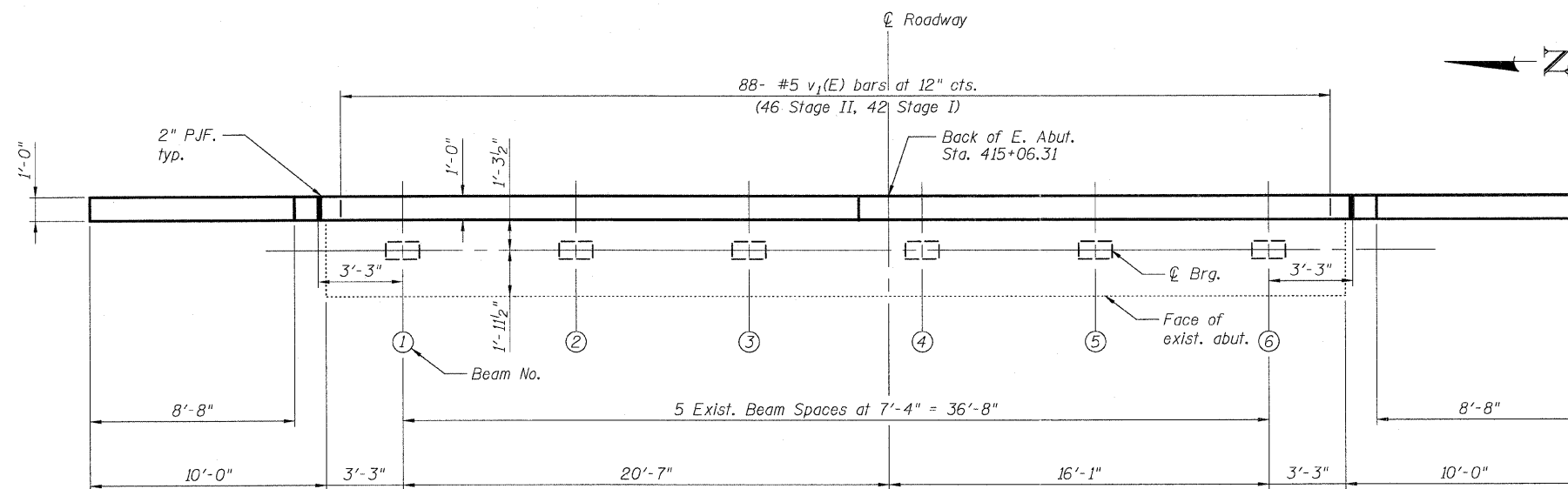
Bar	No.	Size	Length	Shape
h(E)	28	#7	10'-8"	—
h ₂ (E)	20	#5	9'-4"	—
p(E)	2	#5	20'-5"	—
p ₁ (E)	2	#5	22'-5"	—
v ₁ (E)	88	#5	1'-9"	—
v ₂ (E)	22	#5	10'-8"	—
Structure Excavation			Cu. Yd.	87
Concrete Structures			Cu. Yd.	5.2
Reinforcement Bars, Epoxy Coated			Pound	1300



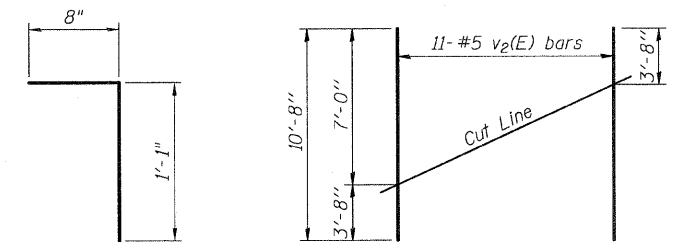
ELEVATION
(Looking East)



SECTION A-A



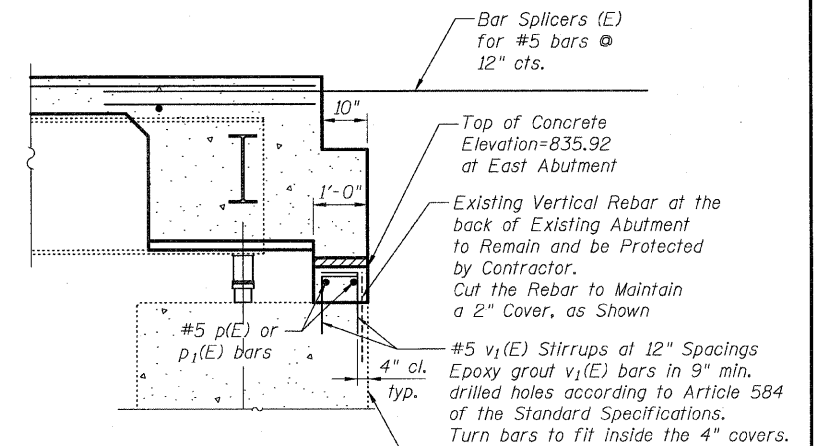
PLAN



BAR v₁(E)

FIELD CUTTING DIAGRAM

Order v₂(E) full length. Cut as shown and use remainder of bars in opposite face.



CROSS SECTION

TERRA ENGINEERING LTD.
225 W. OHIO ST., FOURTH FL.
CHICAGO, IL 60654
TEL: 312.467.8123 FAX: 312.467.8228
WWW.TERRAENGINEERING.COM

USER NAME = TERRA
FILE NAME = D430206-020-East_Abutment.dgn
PLOT SCALE =
PLOT DATE = 1/31/2012

DESIGNED - EA
CHECKED - OY
DRAWN - CM
CHECKED - JB

REVISED -
REVISED -
REVISED -
REVISED -

**STATE OF ILLINOIS
DEPARTMENT OF TRANSPORTATION**

**EAST ABUTMENT PLAN AND ELEVATION
STRUCTURE NO. 043 - 0006**

SHEET NO. S20 OF S21 SHEETS

F.A.P. RTE.	SECTION	COUNTY	TOTAL SHEETS	SHEET NO.
301	(43B, 44B, 44HB, 45BD)	JO DAVIESS	309	160
CONTRACT NO. 64C94			ILLINOIS FED. AID PROJECT	