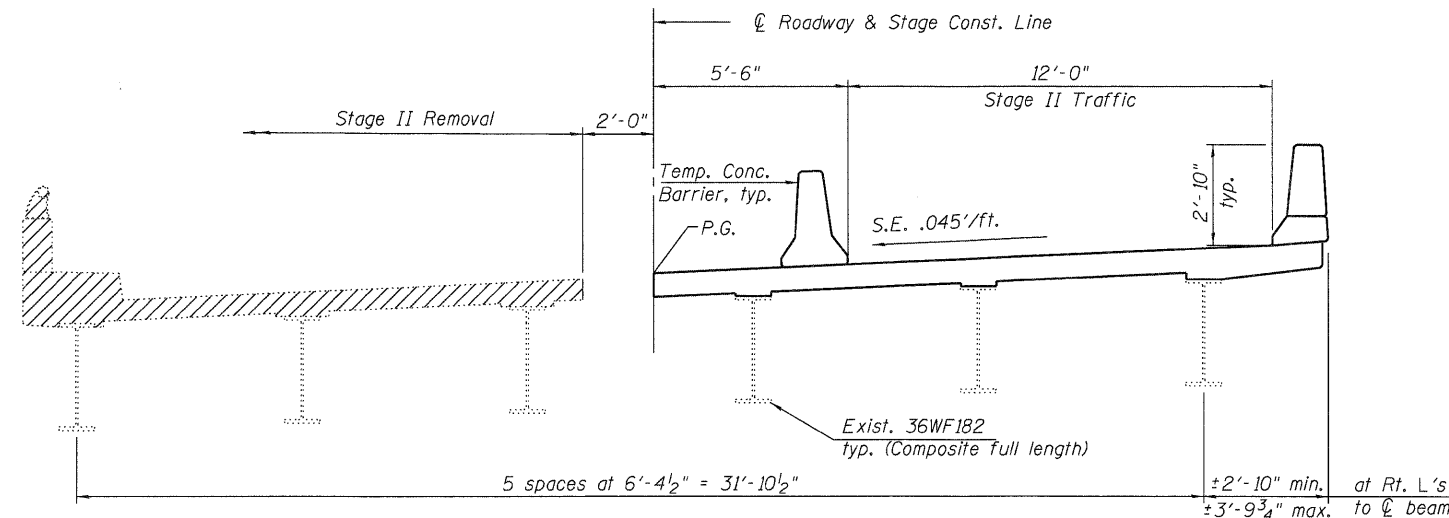
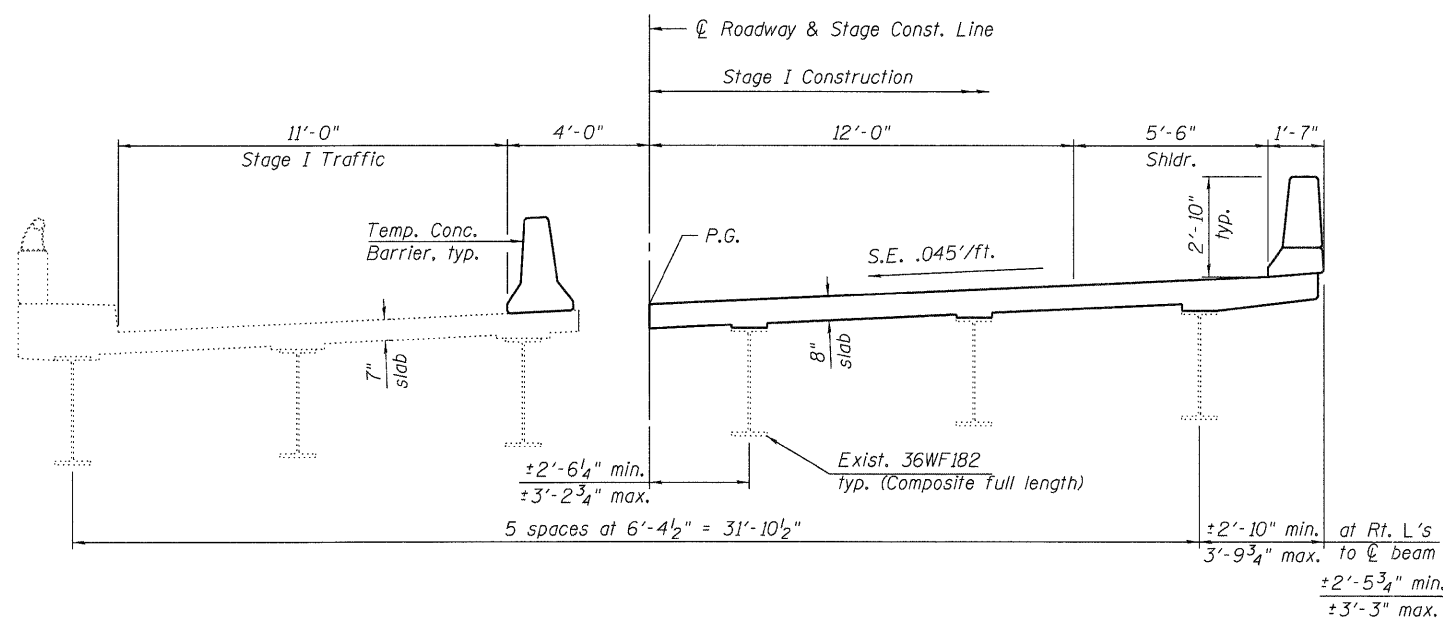


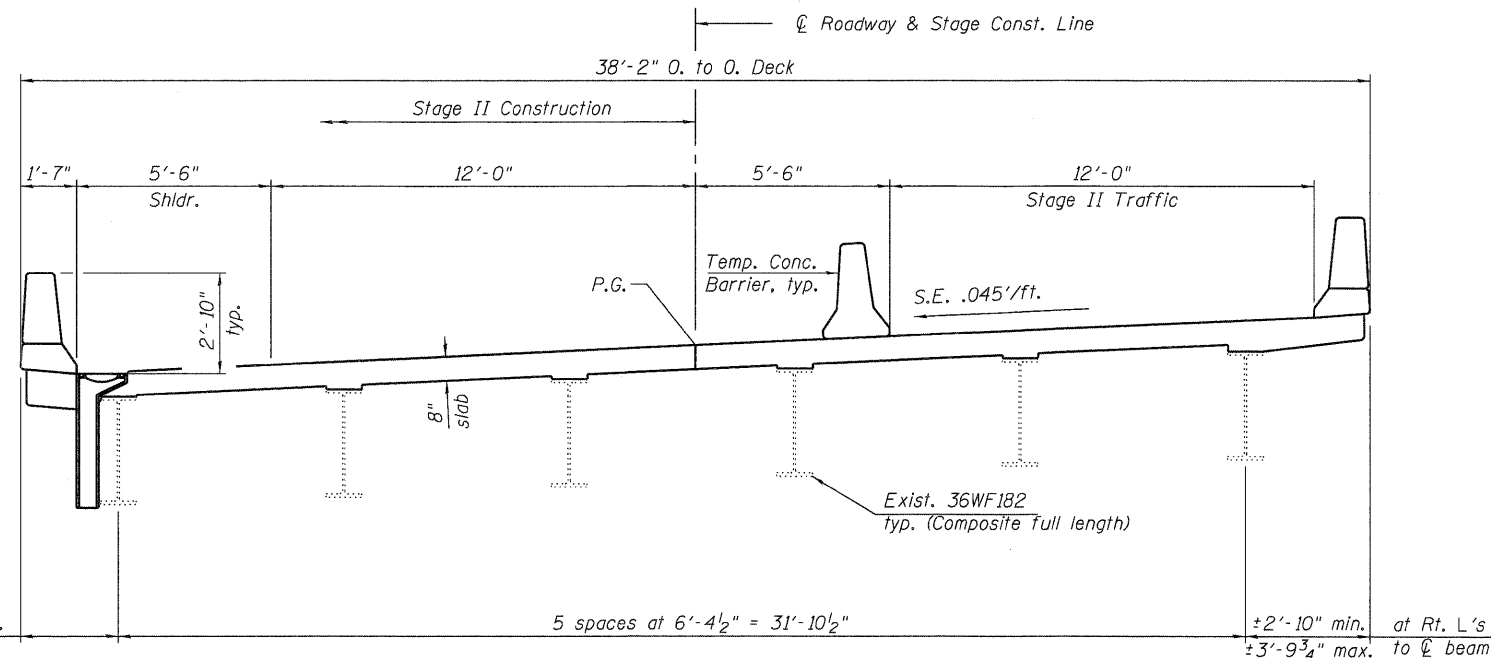
STAGE I REMOVAL
(Looking East)



STAGE II REMOVAL
(Looking East)



STAGE I CONSTRUCTION
(Looking East)



STAGE II CONSTRUCTION
(Looking East)

Note:
Hatched areas indicate Removal of Existing Concrete Deck.
Temporary Concrete Barrier quantity included with Roadway Plans.
Beam spacing shown at right angle to beams in Span 2.
All dimensions are radial unless noted otherwise.

USER NAME = dheberling	DESIGNED - BRD	REVISED -		7018 KINGSMILL CT., SPRINGFIELD, IL (217) 483-8457 DESIGN FIRM #184001036	STATE OF ILLINOIS DEPARTMENT OF TRANSPORTATION	STAGE CONSTRUCTION DETAILS STRUCTURE NO. 043-0007	F.A.P. RTE.	SECTION	COUNTY	TOTAL SHEETS	SHEET NO.
FILE NAME = 0430007-64C94.dgn	CHECKED - CWC/SDS	REVISED -					301	(43B, 44B, 44HB, 45BID)	JO DAVIESS	309	164
PLOT DATE = 12/6/2011	DRAWN - DLH	REVISED -					CONTRACT NO. 64C94				
PLOT TIME = 10:10:01 AM	CHECKED - BRD	REVISED -					ILLINOIS FED. AID PROJECT				