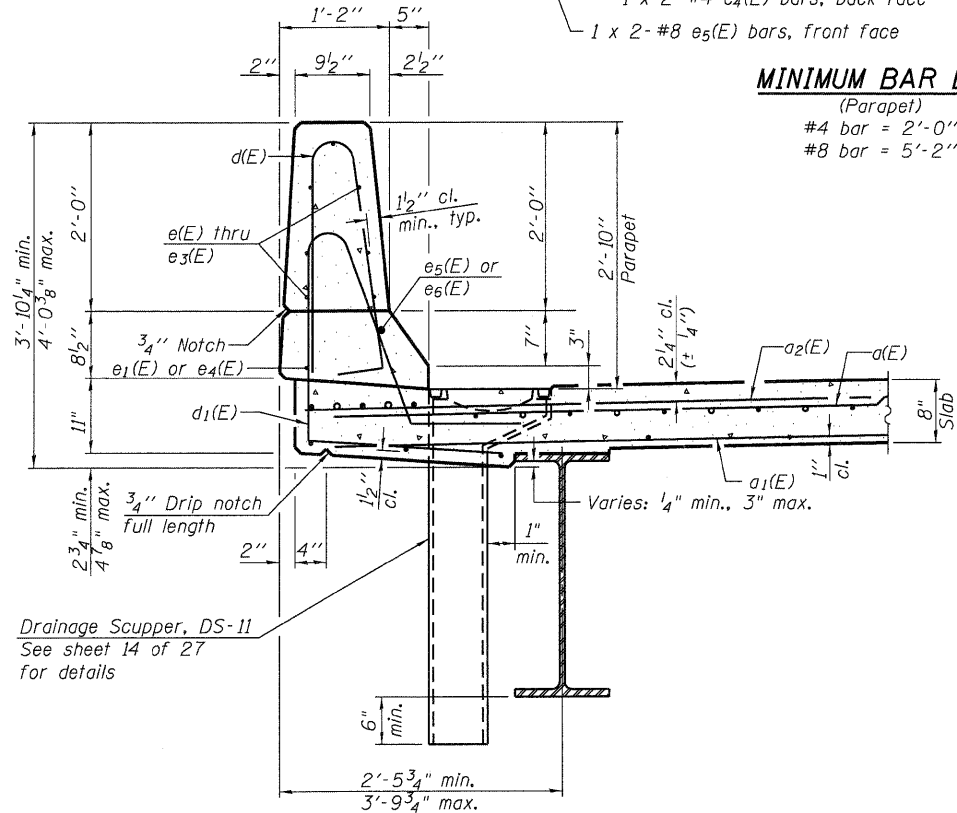
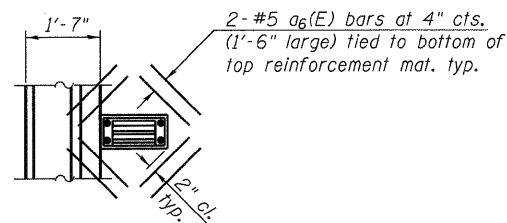


**MINIMUM BAR LAP**

(Parapet)  
 #4 bar = 2'-0"  
 #8 bar = 5'-2"



**SECTION THRU PARAPET**

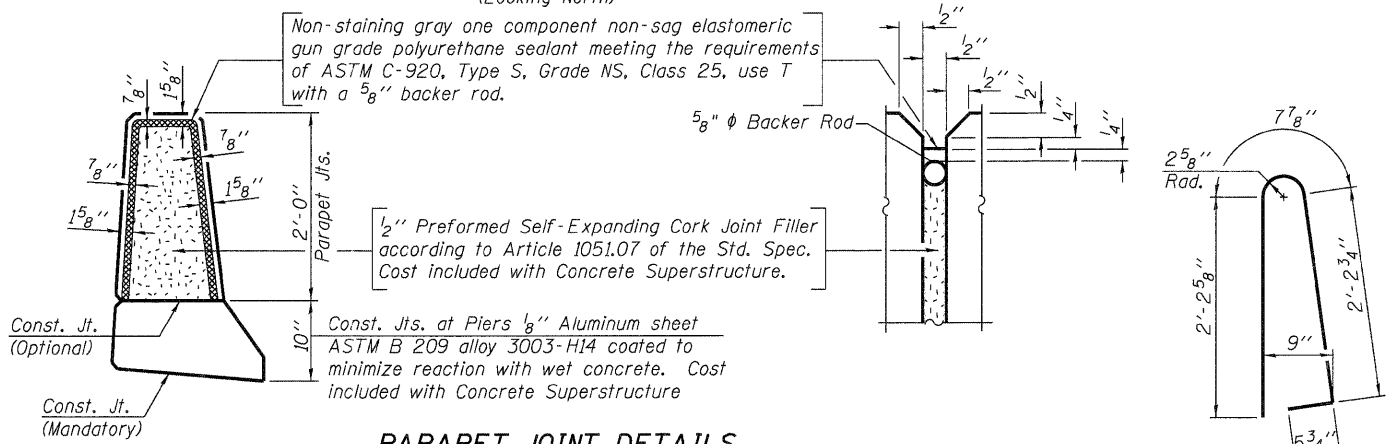


**PLAN**

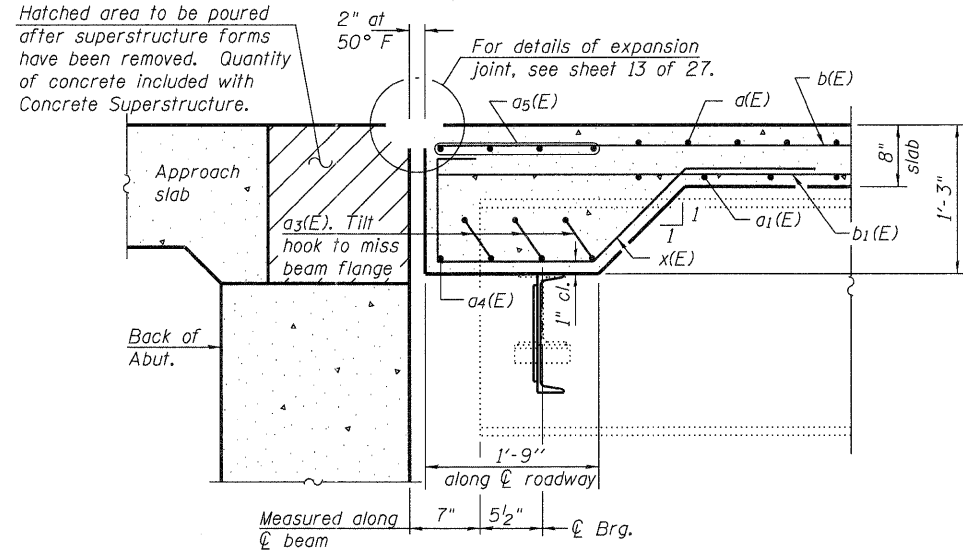
Note:  
 Cut longitudinal reinforcement to clear drainage scuppers.

**INSIDE ELEVATION OF PARAPETS**

(Looking North)



**PARAPET JOINT DETAILS**



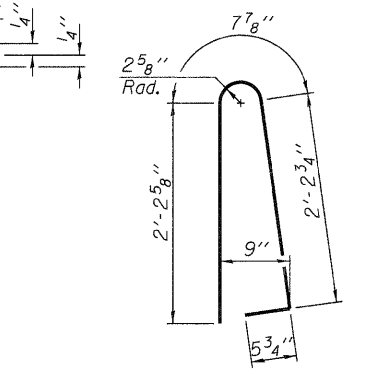
**SECTION A-A**

Note:  
 Dimensions are based on Rolled Rail Strip Seal Joint. If the Contractor elects to use the Welded Strip Seal Joint, deck dimensions may require adjustment to satisfy details on sheet 13 of 27.

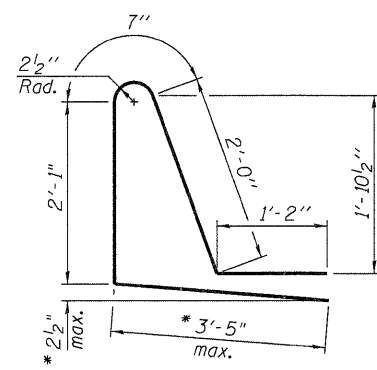
**SUPERSTRUCTURE BILL OF MATERIAL**

Bar	No.	Size	Length	Shape
d(E)	586	#5	18'-5"	—
a1(E)	496	#5	18'-5"	—
a2(E)	584	#6	6'-6"	—
a3(E)	30	#5	7'-9"	—
a4(E)	4	#5	17'-0"	—
a5(E)	16	#5	19'-10"	—
a6(E)	8	#5	1'-6"	—
b(E)	294	#5	31'-10"	—
b1(E)	288	#5	28'-2"	—
b2(E)	76	#6	43'-0"	—
d(E)	454	#5	5'-7"	—
d1(E)	454	#5	9'-3"	—
e(E)	42	#4	18'-0"	—
e1(E)	64	#4	9'-9"	—
e2(E)	42	#4	18'-3"	—
e3(E)	42	#4	18'-6"	—
e4(E)	12	#4	29'-2"	—
e5(E)	12	#8	30'-9"	—
e6(E)	8	#8	9'-9"	—
x(E)	60	#5	6'-5"	—
Reinforcement Bars, Epoxy Coated			Pound	61,080
Concrete Superstructure			Cu. Yds.	273.8

Bars indicated thus 1 x 2-#8 etc. indicates 1 line of bars with 2 lengths per line.

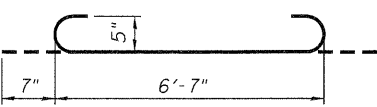


**BAR d(E)**

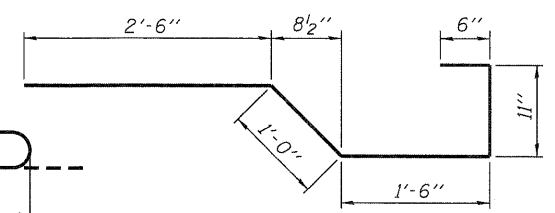


**BAR d1(E)**

\* Dimensions vary due to variable overhang dimensions, field cut to fit.



**a3(E) BAR**



**BAR x(E)**