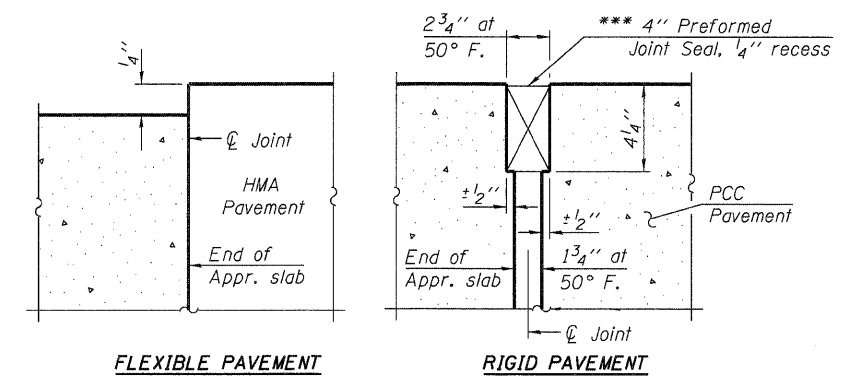
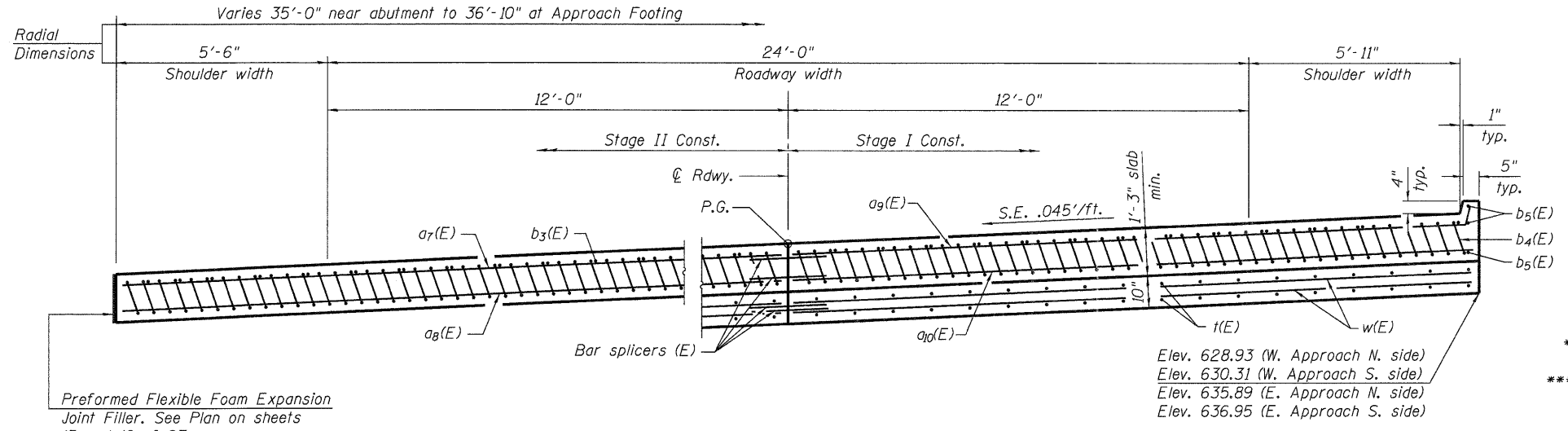


Notes:
 Approach slab shall be paid for as Concrete Superstructure.
 Approach footing concrete shall be paid for as Concrete Structures.
 Reinforcement shall be paid for as Reinforcement Bars, Epoxy Coated.
 For v(E) bar details, see sheets 23 and 26 of 27.
 The approach footing maximum applied service bearing pressure (Qmax) = 2.0 ksf.
 For bar splicer details, see sheet 27 of 27.
 Cost of excavation for approach footing included with Concrete Structures.
 For Porous Granular Embankment (Special) and drainage treatment details, see sheet 2 of 27.



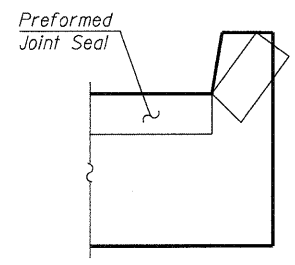
* Tilt #9 b4(E) bars as required to maintain clearance.
 *** Cost included with Concrete Superstructure.

DETAIL A

NEAR ABUTMENT

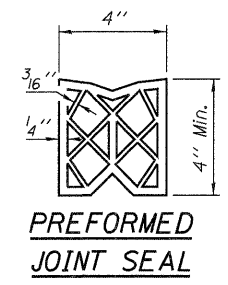
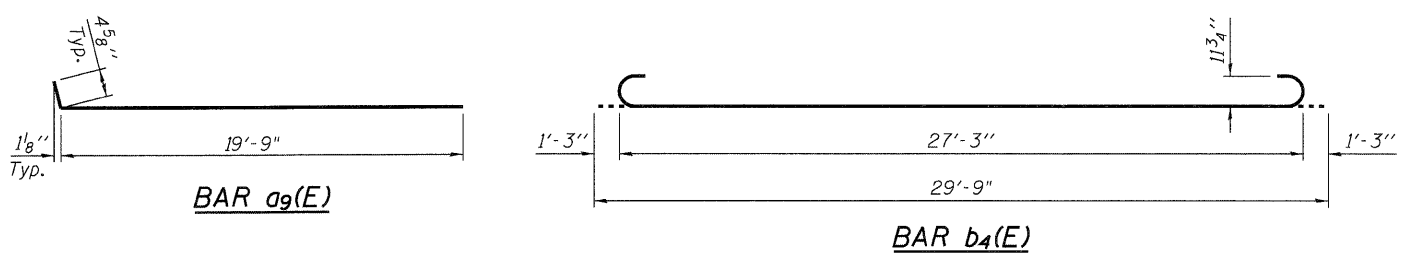
SECTION B-B
 (See Plan for dimensions not shown)

AT APPROACH FOOTING



VIEW C-C

Angle Preformed Joint Seal at 45°
 at curbs when req'd for drainage.



PREFORMED JOINT SEAL

TWO APPROACHES
 BILL OF MATERIAL

Bar	No.	Size	Length	Shape
a7(E)	28	#4	18'-3"	—
a8(E)	52	#5	18'-3"	—
a9(E)	72	#4	20'-2"	—
a10(E)	132	#5	20'-2"	—
b3(E)	60	#4	29'-8"	—
b4(E)	168	#9	29'-9"	—
b5(E)	12	#4	19'-4"	—
f(E)	160	#4	10'-5"	—
w(E)	160	#5	19'-6"	—
Concrete Superstructure			Cu. Yd.	114.0
Concrete Structures			Cu. Yd.	24.6
Reinforcement Bars, Epoxy Coated			Pound	27,790