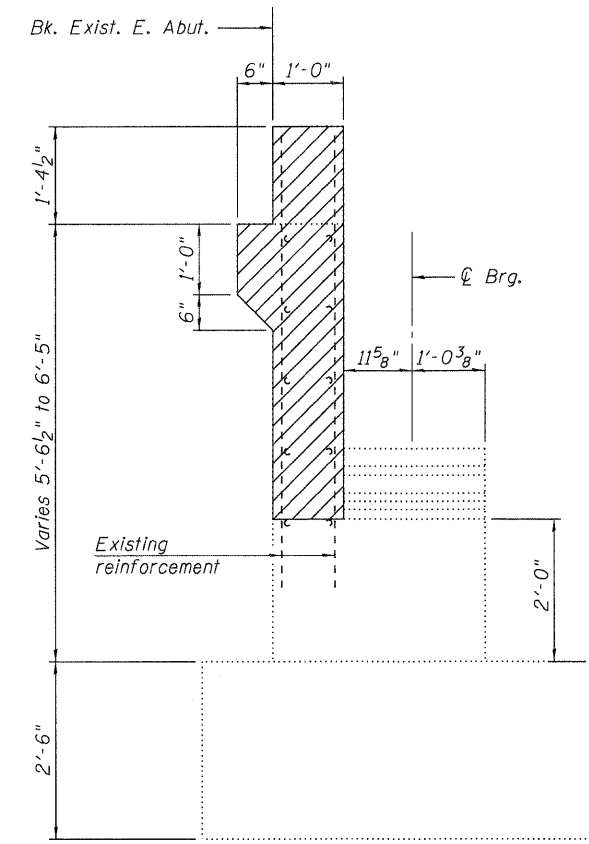
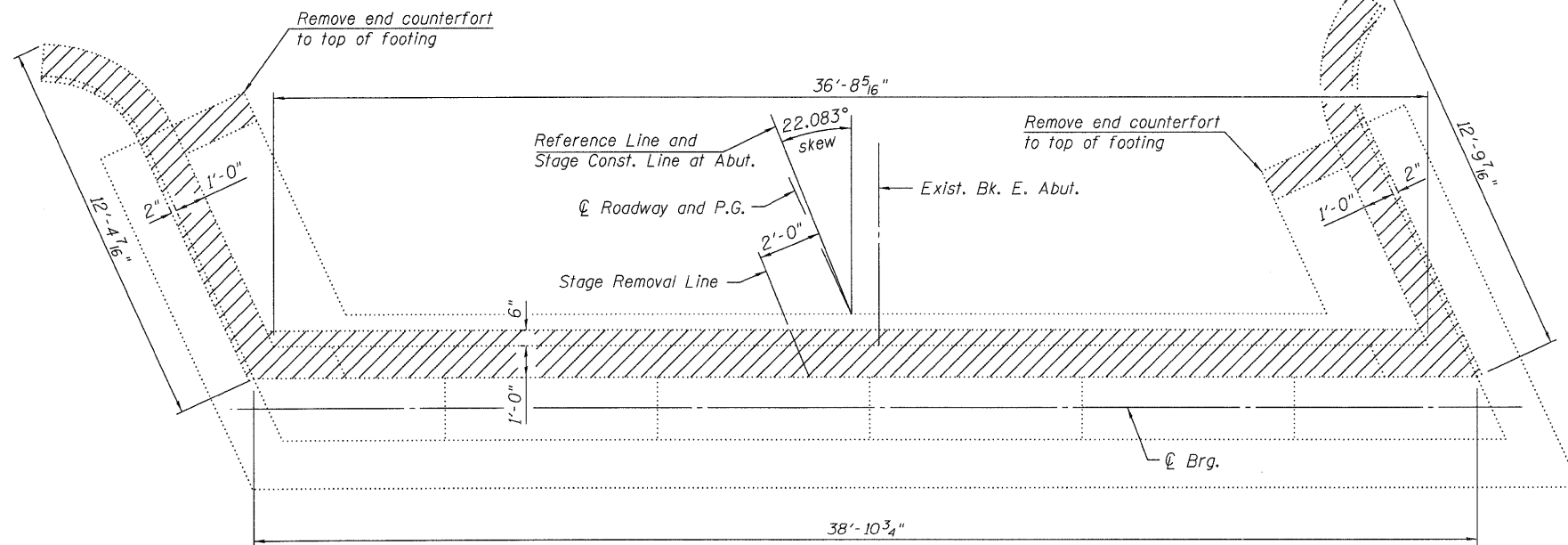


**ELEVATION**  
(Looking East)



**SECTION A-A**  
(Horiz. dimensions are at Rt. L's)



**PLAN**

**Note:**  
Hatched areas indicate Concrete Removal. Existing reinforcement extending into removed area shall be cleaned, straightened, and incorporated into new construction. Cost included with Concrete Removal.

**EAST ABUTMENT BILL OF MATERIALS**

Item	Unit	Total
Concrete Removal	Cu. Yd.	15.3