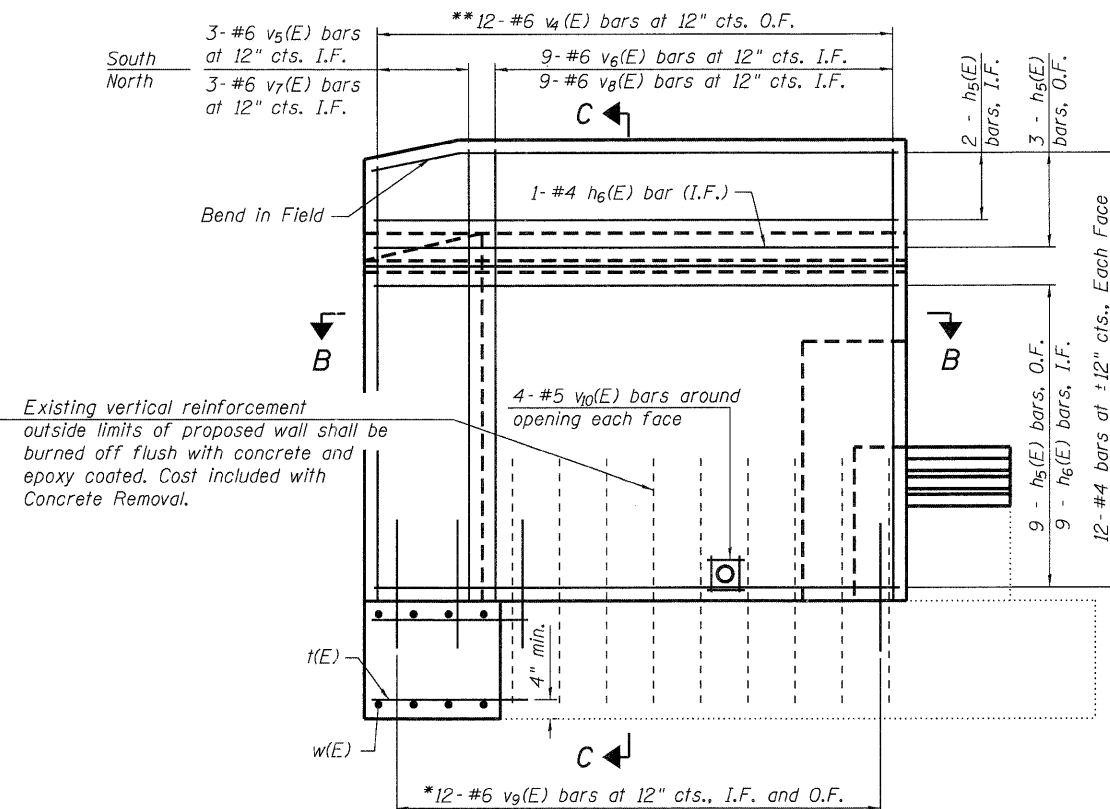
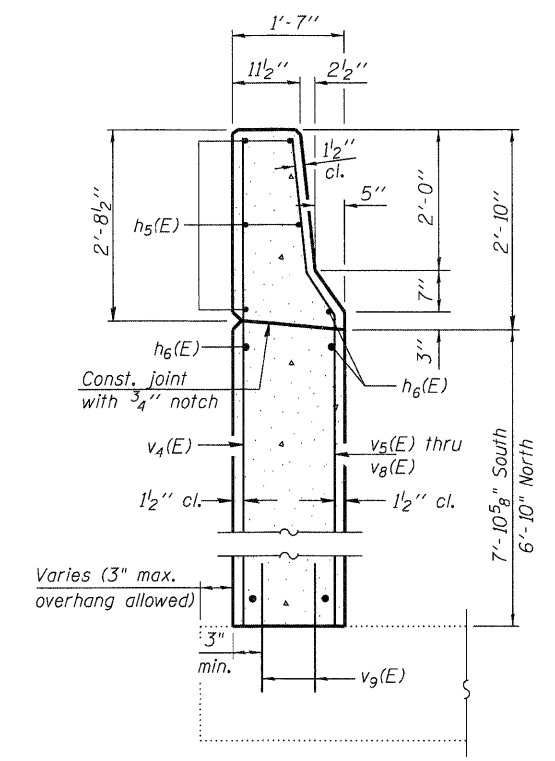


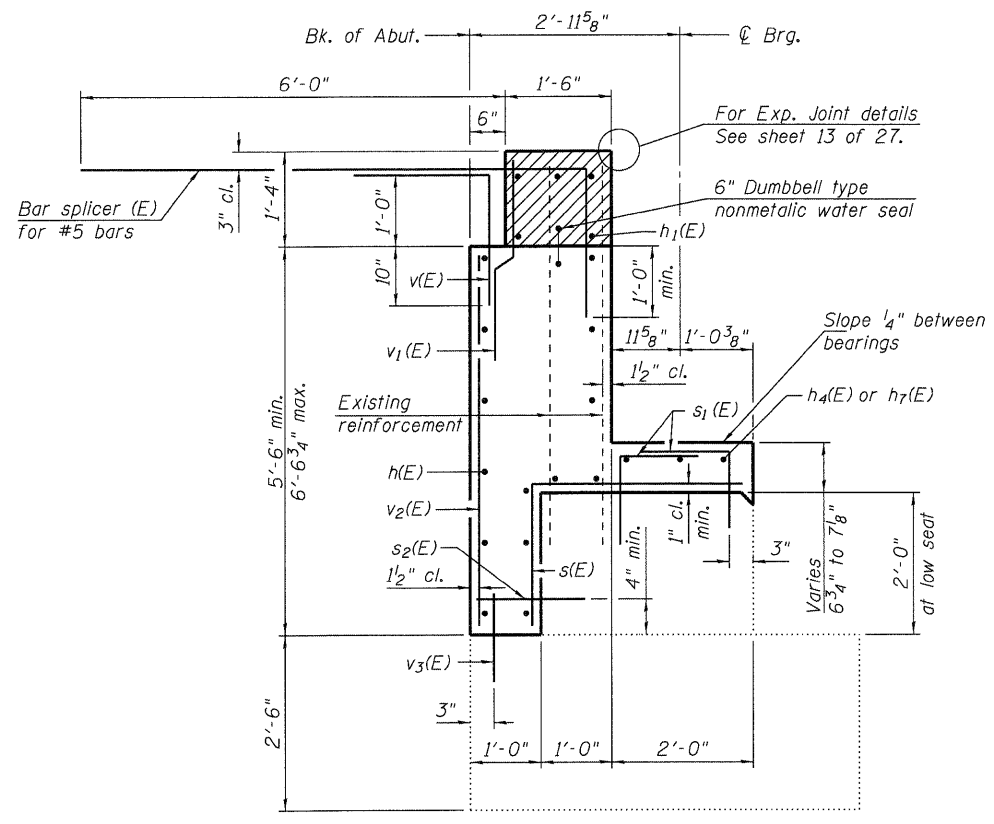
WINGWALL ELEVATION
(Showing Dimensions)



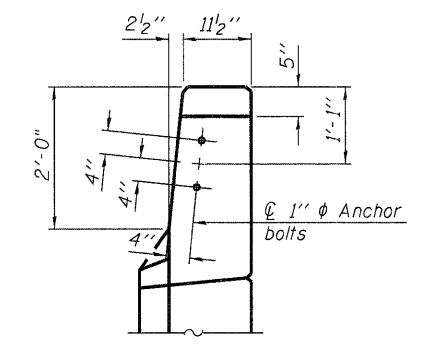
WINGWALL ELEVATION
(Showing Reinforcement)



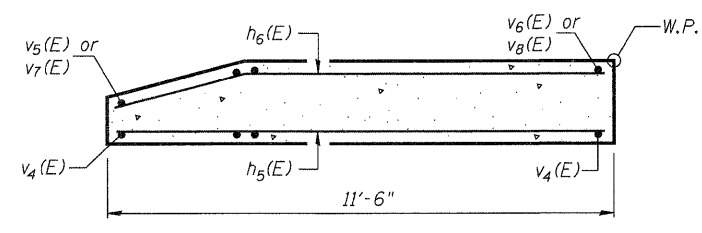
SECTION C-C



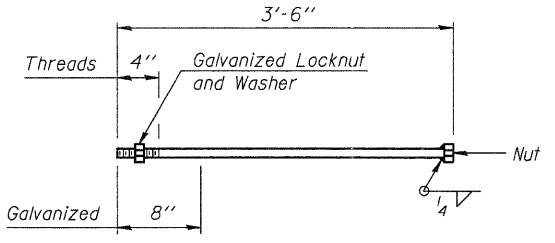
SECTION THRU ABUTMENT
(Horiz. dim. at Rt. L's)



VIEW A-A

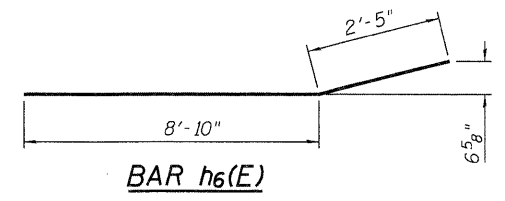


SECTION B-B

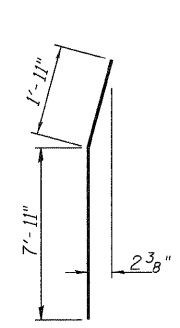


1" φ ANCHOR BOLT

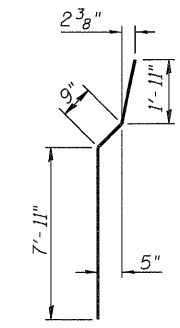
Notes:
Quantity of concrete in end post included with Concrete Superstructure on sheet 2 of 27.
Hatched area to be poured after superstructure false work has been removed. Quantity of concrete included with Concrete Superstructure.
* Drill and grout bars according to Article 584 of The Standard Specifications, 9" min. embedment.
** Order v₄(E) bars full length, cut to fit and use remainder for opposite wingwall.



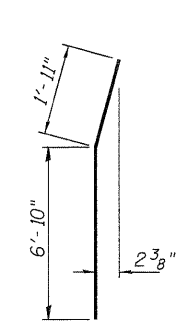
BAR h₆(E)



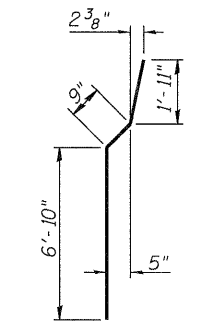
BAR v₅(E)
(South Wingwall)



BAR v₆(E)
(South Wingwall)



BAR v₇(E)
(North Wingwall)



BAR v₈(E)
(North Wingwall)

USER NAME = dhebarling	DESIGNED - BRD	REVISED -		7018 KINGSMILL CT., SPRINGFIELD, IL (217) 483-9457 DESIGN FIRM #184001036
FILE NAME = 0430207-64C94.dgn	CHECKED - CWC/SDS	REVISED -		
PLOT DATE = 12/6/2011	DRAWN - DLH	REVISED -		
PLOT TIME = 10:11:11 AM	CHECKED - BRD	REVISED -		

STATE OF ILLINOIS
DEPARTMENT OF TRANSPORTATION

EAST ABUTMENT DETAILS
STRUCTURE NO. 043-0007

SHEET NO. 26 OF 27 SHEETS

F.A.P. RTE.	SECTION	COUNTY	TOTAL SHEETS	SHEET NO.
301	(43B, 44B, 44HB, 45B)D	JO DAVIESS	309	187
CONTRACT NO. 64C94			ILLINOIS FED. AID PROJECT	