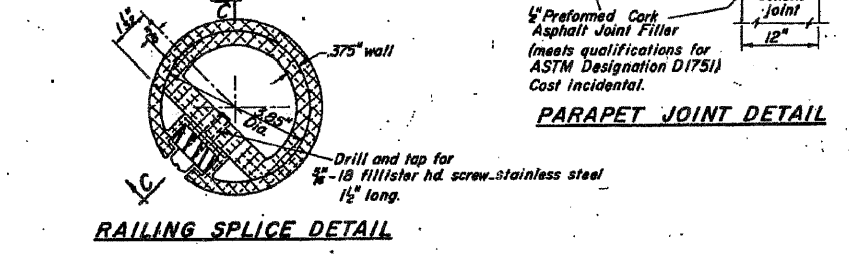
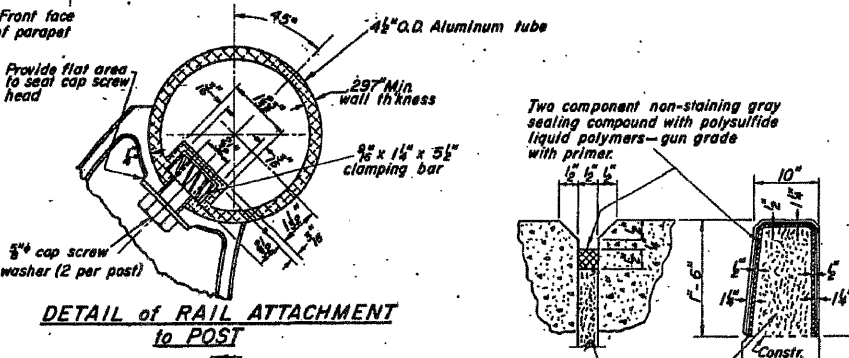
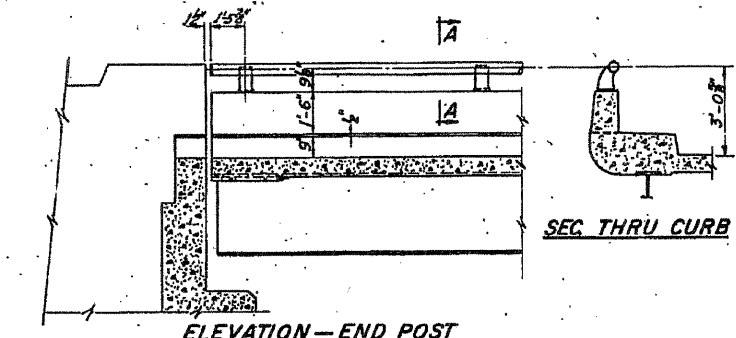
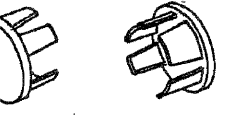
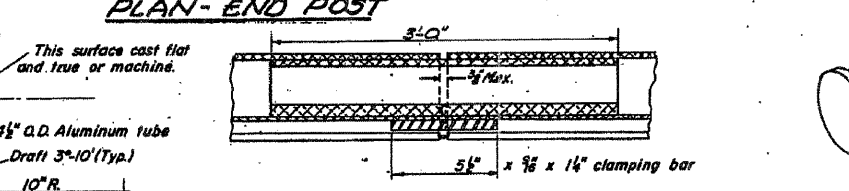
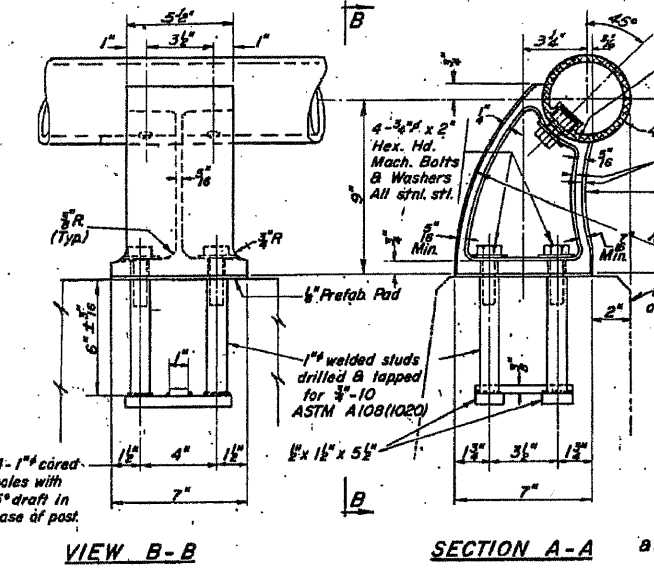
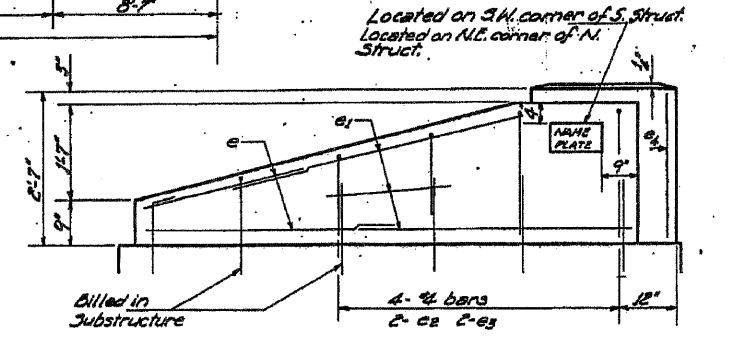
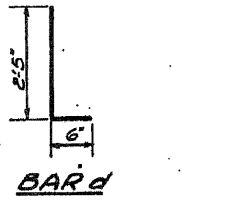
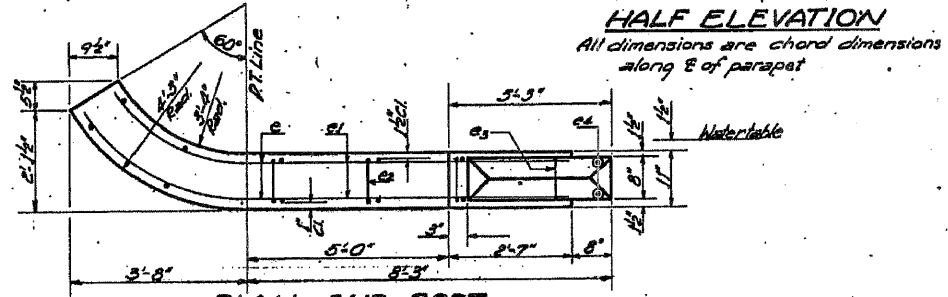
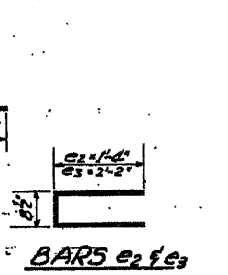
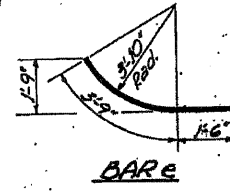
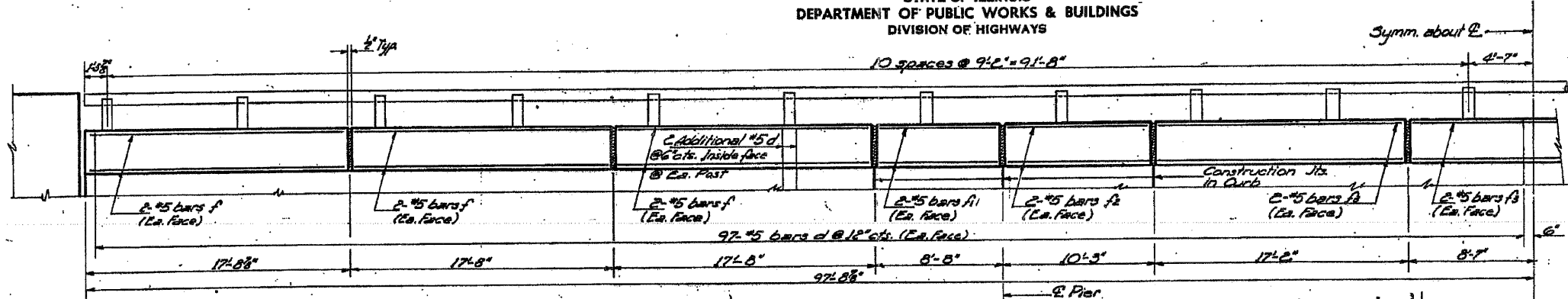


STATE OF ILLINOIS  
DEPARTMENT OF PUBLIC WORKS & BUILDINGS  
DIVISION OF HIGHWAYS

ROUTE NO.	SECTION	COUNTY	TOTAL SHEETS	SHEET NO.
44A4B	JO DAVIESS	373	38	11 SHEETS

SHEET NO. 9  
11 SHEETS



**NOTES:**  
All Posts shall be normal to parapet.  
All Aluminum Alloy Extruded Rail shall conform to ASTM specification B-235 alloy 6061-T6, or 6062-T6, and shall extend a minimum of 2 panel lengths (attached to a minimum of 3 posts) except at ends or at open joints where a minimum of 1 panel length is required. All joints in railing must be spliced per detail.  
See Special Provisions for following Material Specifications:  
Cast Aluminum Alloy Bridge Post Alloy 344-T4, Stainless Steel Machine Bolts, Washers, and Bars.  
For material composition of Prefabricated Pad, see Article 54.9(f), (Bearing and Anchorage), of the Standard Specifications.  
**METHOD OF MEASUREMENT:** Aluminum handrail shall be measured in lineal feet. The length paid for shall be the over all length along the top longitudinal railing member thru all posts and gaps.  
**BASIS OF PAYMENT:** Aluminum handrail shall be paid for at the contract unit price per lineal foot for ALUMINUM HANDRAIL, measured as specified, which price shall be payment in full for all materials, fabrication, transportation, and erection.  
Cost of rail splice, end caps, and hardware to be incidental to item ALUMINUM HANDRAIL.

**4 HANDRAILS  
BILL OF MATERIAL**

Item	Qty.	Unit	Total
Class A Concrete	43.6	cu. yd.	43.6
Reinforcement Bars	890	lbs.	890
Aluminum Handrail	282.0	lin. ft.	282.0

Bar	No.	Size	Length	Shape
e	32	#4	5'-3"	U
e1	48	#4	7'-0"	U
e2	16	#4	3'-4"	U
e3	16	#4	5'-0"	U
e4	16	#4	2'-3"	U
f	96	#5	17'-4"	U
f1	32	#5	8'-6"	U
f2	32	#5	9'-11"	U
f3	48	#5	16'-10"	U
d	1728	#5	2'-11"	L

**ALUMINUM HANDRAIL  
NORTH & SOUTH STRUCTURES  
LITTLE MENOMINE RIVER  
S.B.I. RT. 5 SEC. 44 B  
JO DAVIESS COUNTY  
STA. 318+30**

DESIGNED	BRD
CHECKED	A. C. BENTON
DRAWN	Wm. M. Bass
CHECKED	

EXAMINED	
PASSED	
APPROVED	

**WHKS & CO.**  
ENGINEERING  
7018 KINGSMILL CT.  
SPRINGFIELD, IL  
(217) 483-9457  
DESIGN FIRM #184001036

STATE OF ILLINOIS  
DEPARTMENT OF TRANSPORTATION

EXISTING PLANS  
STRUCTURE NO. 043-0004 & 0005  
SHEET NO. 10 OF 11 SHEETS

F.A.P. RTE.	SECTION	COUNTY	TOTAL SHEETS	SHEET NO.
301	143B, 44B, 44HB, 45BID	JO DAVIESS	309	208
				CONTRACT NO. 64C94

USER NAME = dhaberling  
FILE NAME = 0430004&5-64C94E  
PLOT DATE = 12/6/2011  
PLOT TIME = 10:15:11 AM

ILLINOIS FED. AID PROJECT