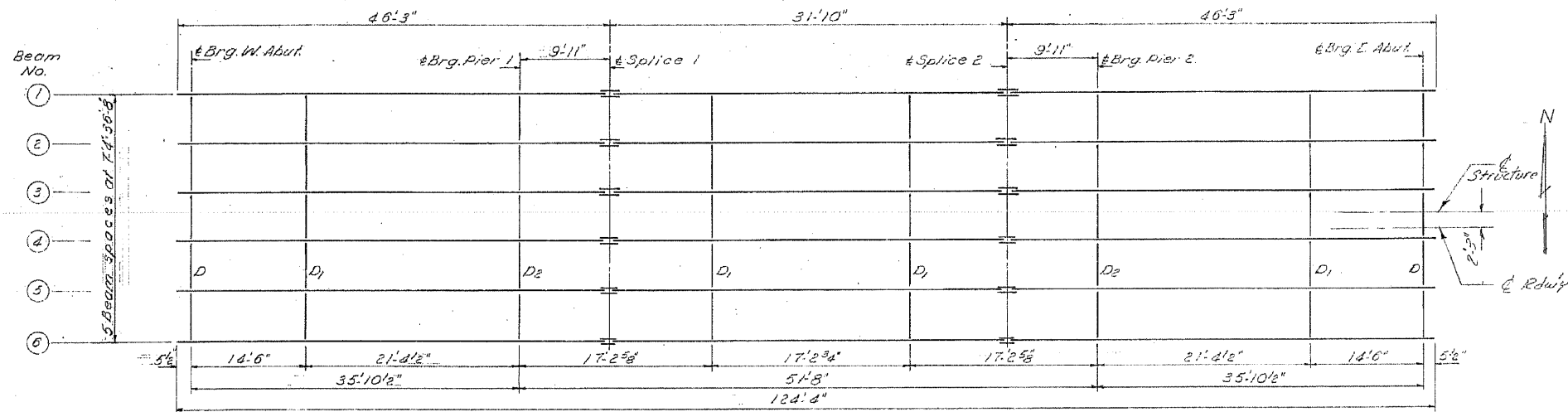


STATE OF ILLINOIS
DEPARTMENT OF PUBLIC WORKS & BUILDINGS
DIVISION OF HIGHWAYS

ROUTE NO.	SECTION	COUNTY	TOTAL SHEETS	SHEET NO.	SHEET NO. 5
6	43B, 44, 45	JO DAVIESS	376	60	10 SHEETS
FED. ROAD DIST. NO. 7	ILLINOIS	FED. AID PROJECT			



BEAM LAYOUT
All Beams are 30WF 108

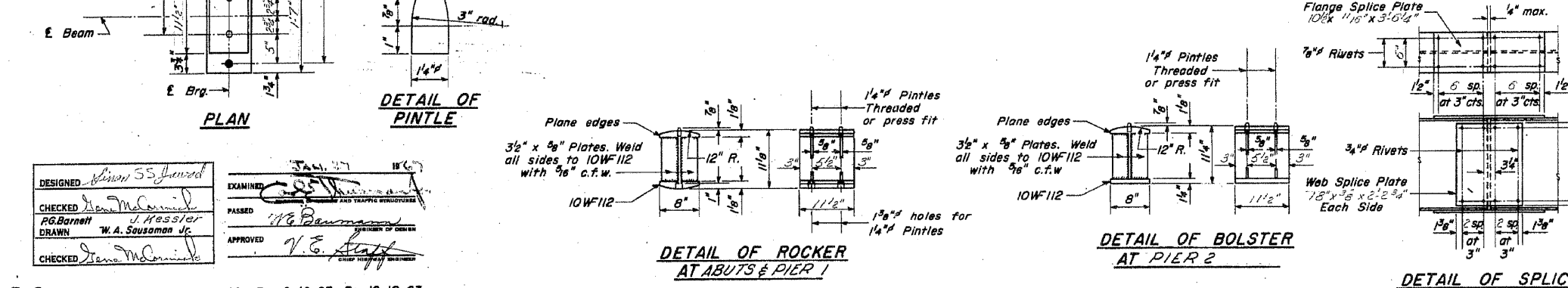
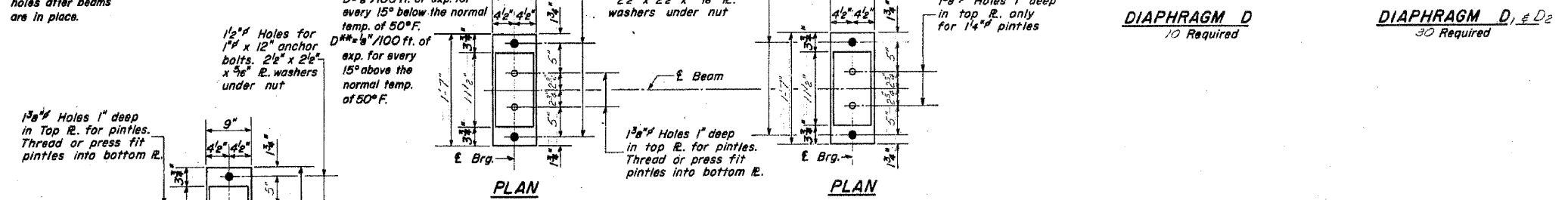
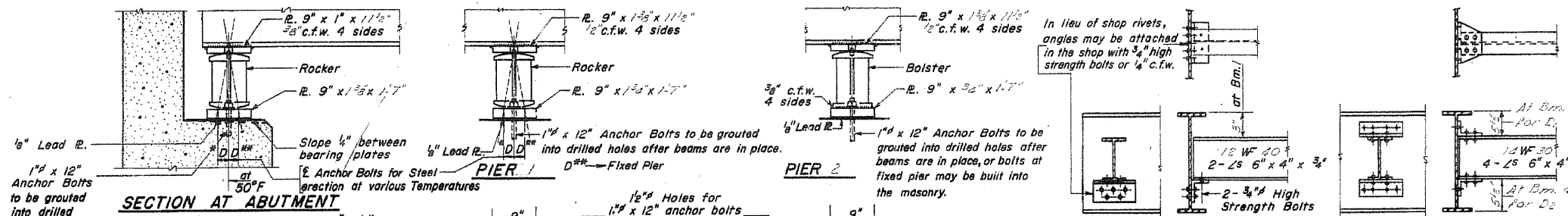


TABLE OF MOMENTS & REACTIONS (Interior Beams Only)

	Moments (kip-ft)		Reactions (kip)	
	Span 1	Span 2	Abut. 1	Abut. 2
D.L.	83.8	212.2	132.1	13.7
L.L.	205.0	184.0	251.8	33.0
Imp.	61.6	52.5	70.5	10.1
Total	350.4	448.7	454.4	56.8

ELEVATION TOP OF WF
For Fabrication only

	Beam 1	Beam 2	Beam 3	Beam 4	Beam 5	Beam 6
Brg. W. Abut.	839.53	839.74	839.50	839.93	839.81	839.68
Brg. Pier 1	839.40	839.50	839.68	839.75	839.83	839.50
Splice 1	839.35	839.51	839.63	839.70	839.58	839.45
Splice 2	839.19	839.35	839.47	839.54	839.42	839.29
Brg. Pier 2	839.14	839.30	839.42	839.49	839.37	839.24
Brg. E. Abut.	838.96	839.12	839.24	839.31	839.19	839.06

DESIGNED: *Alan S. J. J.*
CHECKED: *Alan S. J. J.*
DRAWN: *W. A. Sausman Jr.*
APPROVED: *V. E. Staff*

I-2 7-2-62 Rev. 11-9-62 Rev. 8-16-63 Rev. 12-10-63

STRUCTURAL STEEL
FA 6 (S.B.I. RT 5) SEC. 45
JO DAVIESS COUNTY
STATION 403+45W