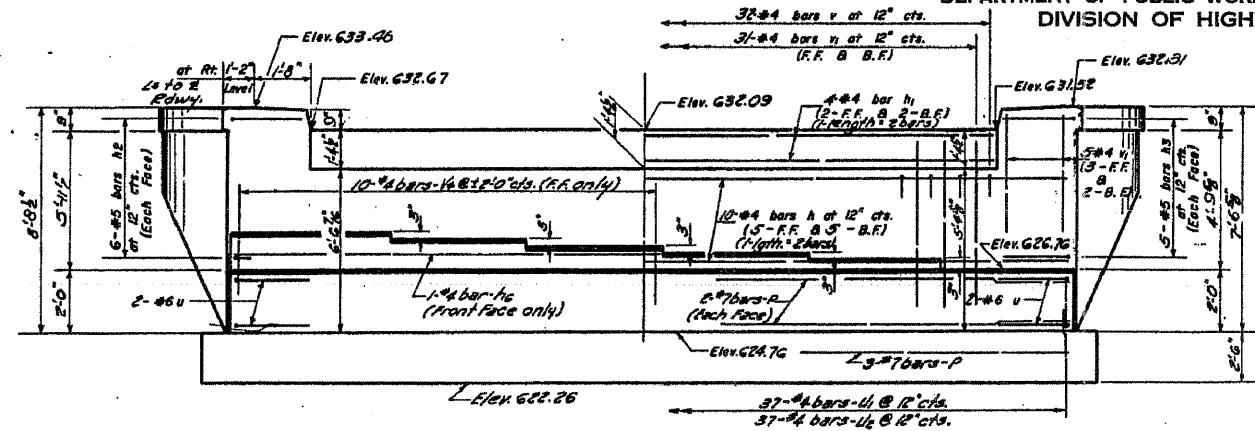
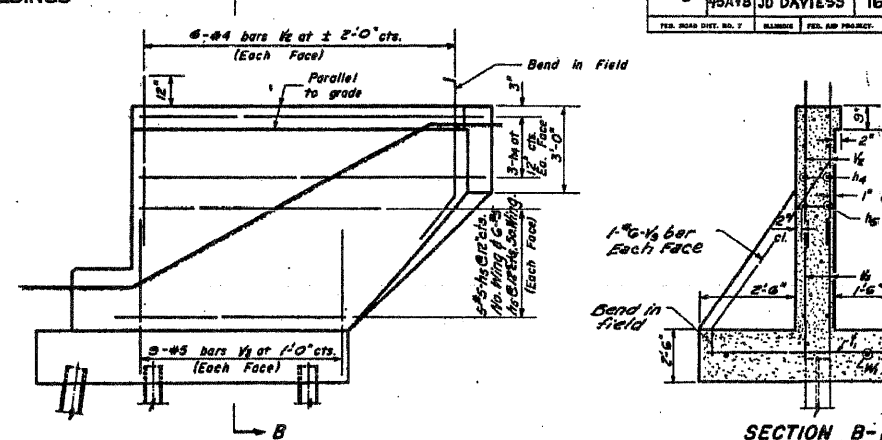


STATE OF ILLINOIS
DEPARTMENT OF PUBLIC WORKS & BUILDINGS
DIVISION OF HIGHWAYS

ROUTE NO.	SECTION	COURT	SCALE	SHEET	SHEET NO. 5 // SHEETS
44B	45A	JD DAVIESS	166	25	



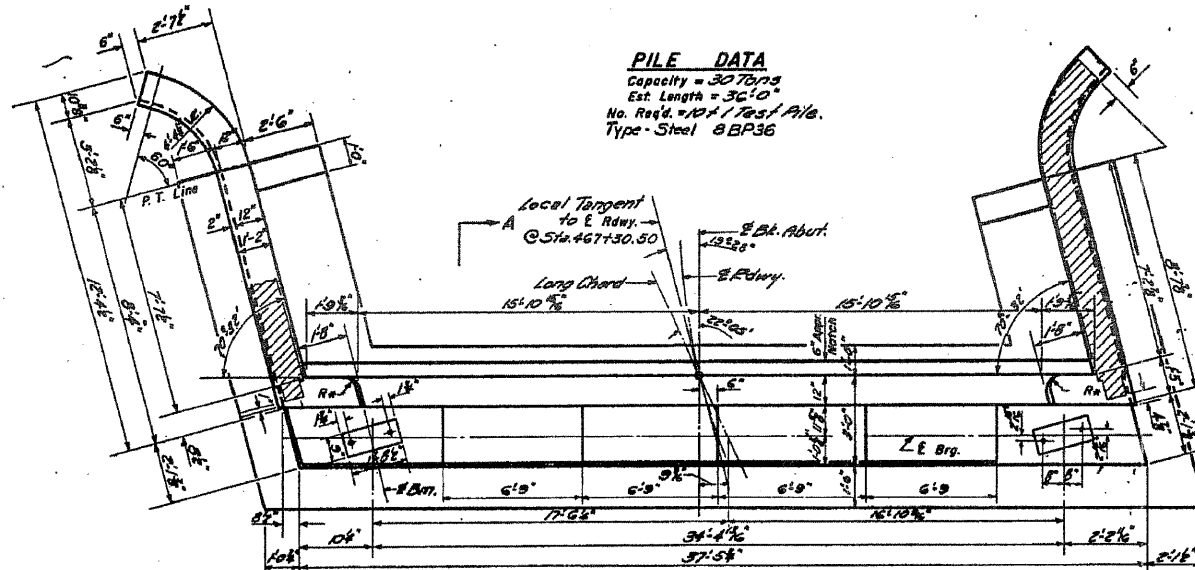
ELEVATION
At Right Angles to E. Rwy.
(Elevations and Dimensions are at Back of Abutment.)



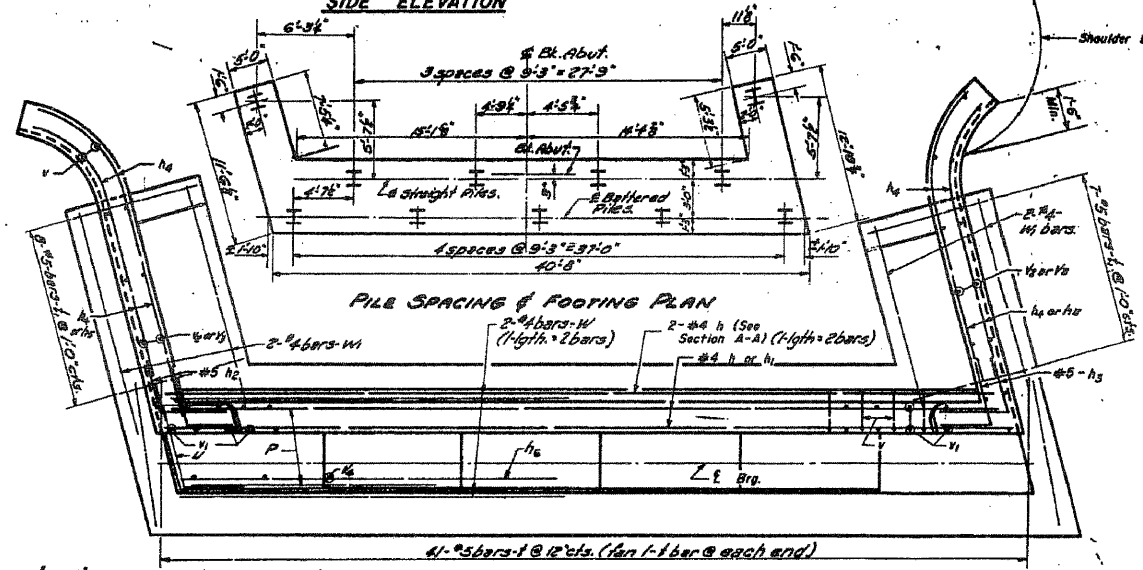
SIDE ELEVATION

SECTION B-B

PILE DATA
Capacity = 3070 lbs
Est. Length = 36'-10"
No. Reqs. = 101 / 100 / 100 / 100
Type - Steel B BP 36



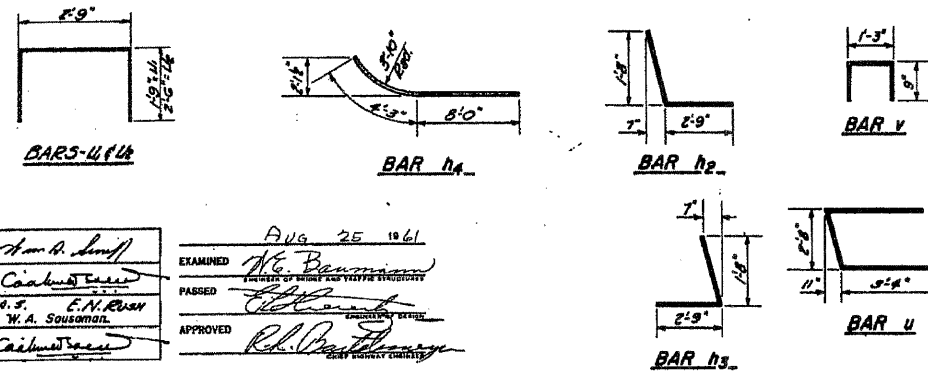
PLAN OF ABUTMENT
Dimensions



PILE SPACING & FOOTING PLAN

PLAN OF ABUTMENT
(Showing Reinforcement)

* Note: Contractor shall construct curb without radius when a curb & gutter are used on bridge approaches (See road plans).



SECTION A-A

BILL OF REINFORCEMENT

Bar	No.	Size	Length	Shape	Bar	No.	Size	Length	Shape
h	28	#4	17'-3"	U	l	2	#6	9'-6"	U
h1	8	#4	15'-6"	U	h	37	#4	6'-3"	U
h2	12	#5	2'-6"	L	h2	37	#4	7'-9"	U
h3	10	#5	2'-6"	L					
h4	12	#5	16'-3"	U					
h5	22	#5	8'-6"	U	v	52	#4	2'-9"	U
h6	1	#4	18'-0"	U	h	72	#4	6'-6"	U
p	7	#7	37'-0"	U	h	24	#4	7'-3"	U
					h	36	#5	5'-0"	U
					h	10	#4	2'-3"	U
					h	2	#6	8'-0"	U
					h	4	#4	20'-9"	U
					h	15	#5	4'-3"	U

BILL OF MATERIAL

Item	Unit	Quantity
Class X Concrete	Cu. Yd.	47.8
Reinforcement Bars	Lb.	2910
Steel Piles (B BP 36)	Lin. Ft.	360
Steel Test Piles (B BP 36)	Each	1

WEST ABUTMENT
SANSINAWA RIVER
S.B.I. RT. 5 SEC. 45-B
JO DAVIESS COUNTY
STA. 468+35

DESIGNED: *Sam R. Smith*
CHECKED: *Carl W. ...*
DRAWN: *W. A. Soussan*
CHECKED: *Carl W. ...*

EXAMINED: *W. G. Baumann*
PASSED: *Carl W. ...*
APPROVED: *Carl W. ...*

AUG 25 1961

A-3-L Drawn 5-20-58 Rev. 9-26-58