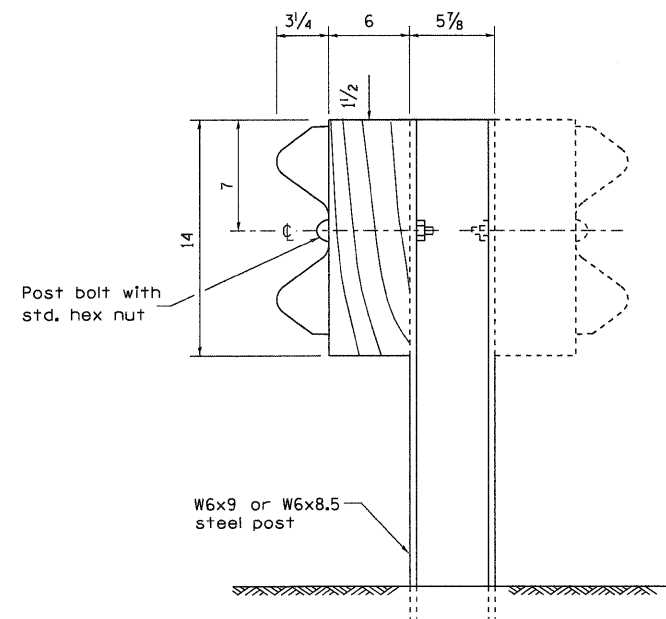
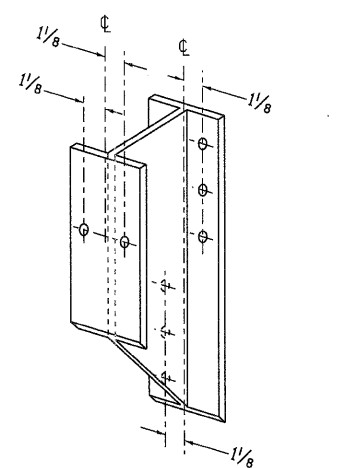


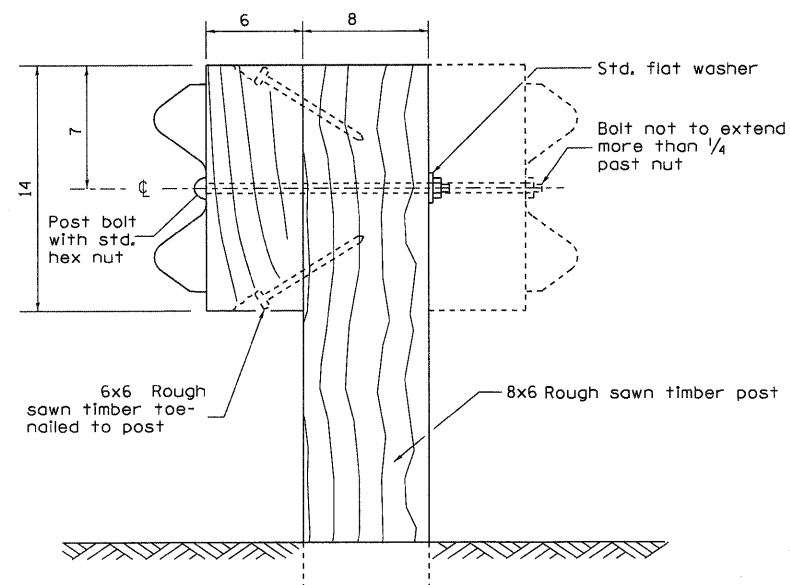
REMOVE AND REERECT STEEL PLATE BEAM GUARDRAIL



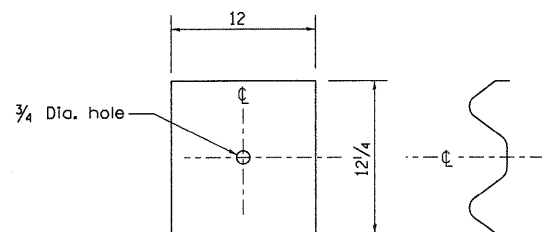
STEEL POST CONSTRUCTION



STEEL BLOCK-OUT DETAIL



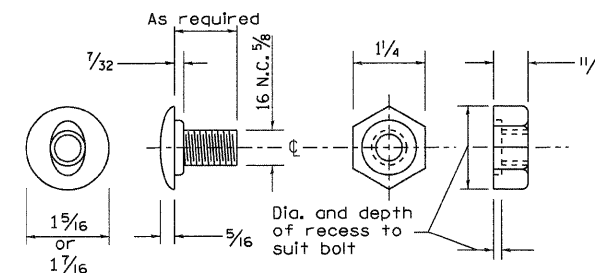
WOOD POST CONSTRUCTION



NOTE

Plate A shall be placed between rail element and block-out at non-splice mounting points only when steel block-outs are used.

PLATE A



POST OR SPLICE BOLT & NUT

FILE NAME =	USER NAME = g_jameson	DESIGNED -	REVISED - 10-18-11	STATE OF ILLINOIS DEPARTMENT OF TRANSPORTATION	REGION 2 / DISTRICT 2 STANDARD		F.A.P. RTE.	SECTION	COUNTY	TOTAL SHEETS	SHEET NO.
1:\jobs\1dot.d-2\7307 us 20 ph 11\cedd\add sheets\03207dis_2.stds.dgn	PLDT SCALE = 51.1818' / IN.	DRAWN -	REVISED -				301	(43B,44B,44HB,45B)D	JO DAVIESS	309	305
PLDT DATE = 12/6/2011	DATE -	CHECKED -	REVISED -		SCALE: SHEET NO. 10 OF 14 SHEETS STA. TO STA.		FED. ROAD DIST. NO. ILLINOIS FED. AID PROJECT		CONTRACT NO. 64C94		