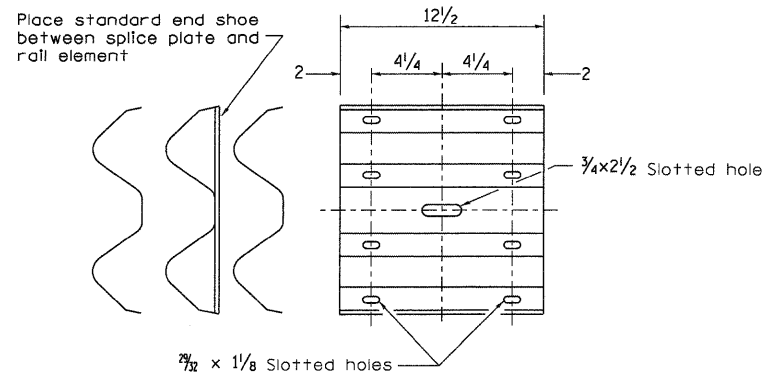
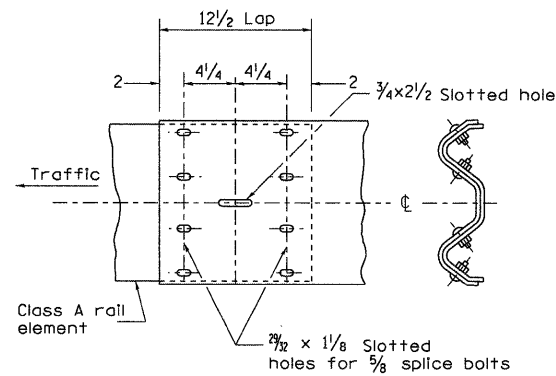


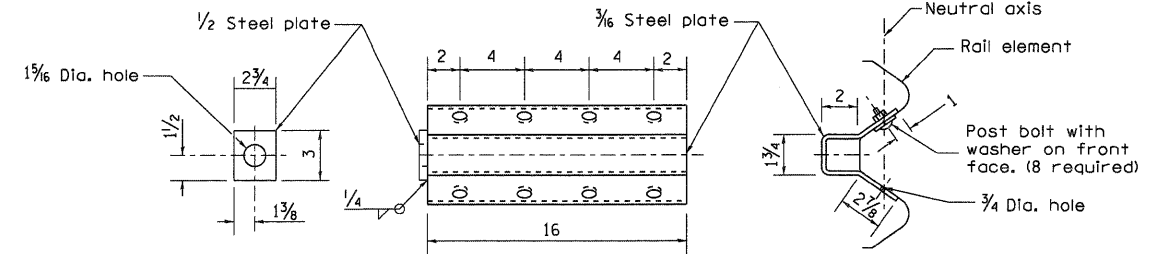
REMOVE AND REERECT STEEL PLATE BEAM GUARDRAIL



SPLICE PLATE

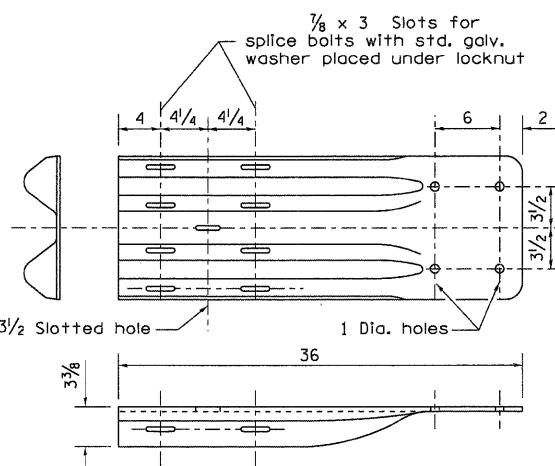


RAIL ELEMENT SPLICE



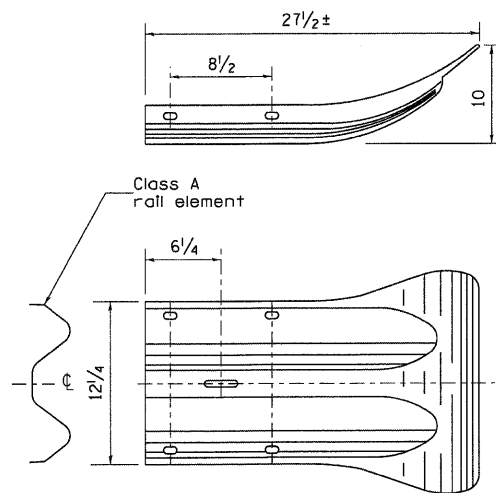
NOTE
Anchor plate T shall be used to attach cable assembly to guardrail when required on traffic barrier terminals.

ANCHOR PLATE T DETAILS

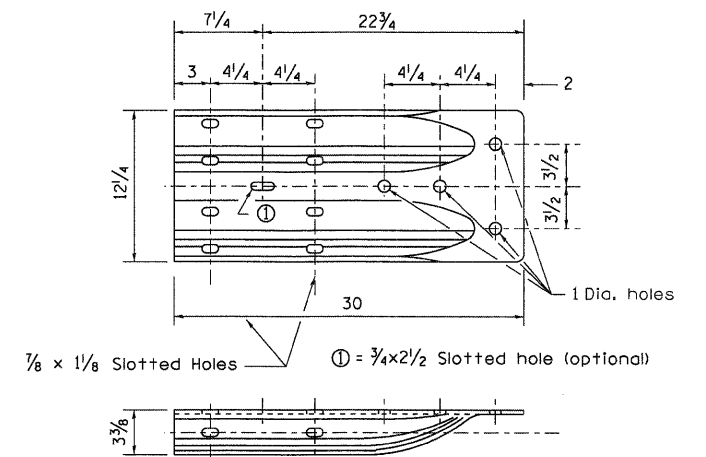


NOTE
When end shoe is attached to a bridge parapet which has an expansion joint, the bolts shall be provided with a locknut or double nut and shall be tightened only to a point that will allow guardrail movement.
The standard end shoe shall be attached to the concrete with pre-drilled or self-drilling anchor bolts. The anchor cone shall be set flush with the surface of the concrete.
Externally threaded studs protruding from the surface of the concrete will not be permitted.

END SHOE



END SECTION



ALTERNATE END SHOE

FILE NAME =	USER NAME = g_jameson	DESIGNED -	REVISED - 10-18-11	STATE OF ILLINOIS DEPARTMENT OF TRANSPORTATION	REGION 2 / DISTRICT 2 STANDARD	F.A.P. RTE.	SECTION	COUNTY	TOTAL SHEETS	SHEET NO.
3:\jobs\11dot.d-2\7307 us 20 ph 11\cedd\cedd sheets\d03207dis.2.stds.dgn	DRAWN -	REVISED -	301			(43B,44B,44HB,45B)D	JO DAVIESS	309	306	
PLOT SCALE = 5/16" = 1" / IN.	CHECKED -	REVISED -	CONTRACT NO. 64C94							
PLOT DATE = 12/6/2011	DATE -	REVISED -	FED. ROAD DIST. NO. ILLINOIS FED. AID PROJECT							