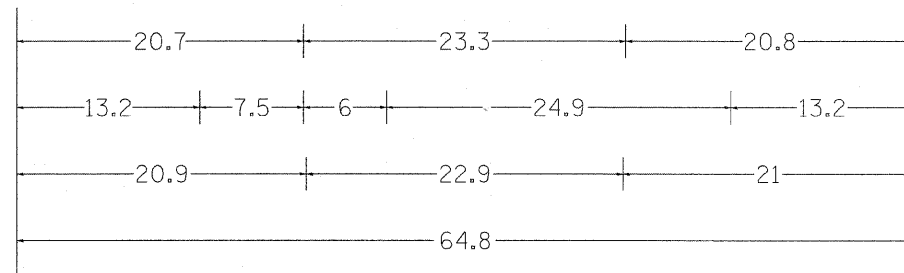
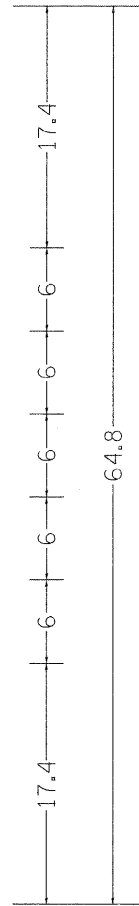


STAY IN YOUR LANE SIGN DETAIL



48.0" across sides 3.8" Radius, 1.0" Border, 0.6" Indent, Black on Orange
 "STAY" E Mod; "IN YOUR" E Mod; "LANE" E Mod;
 Table of letter and object lefts.

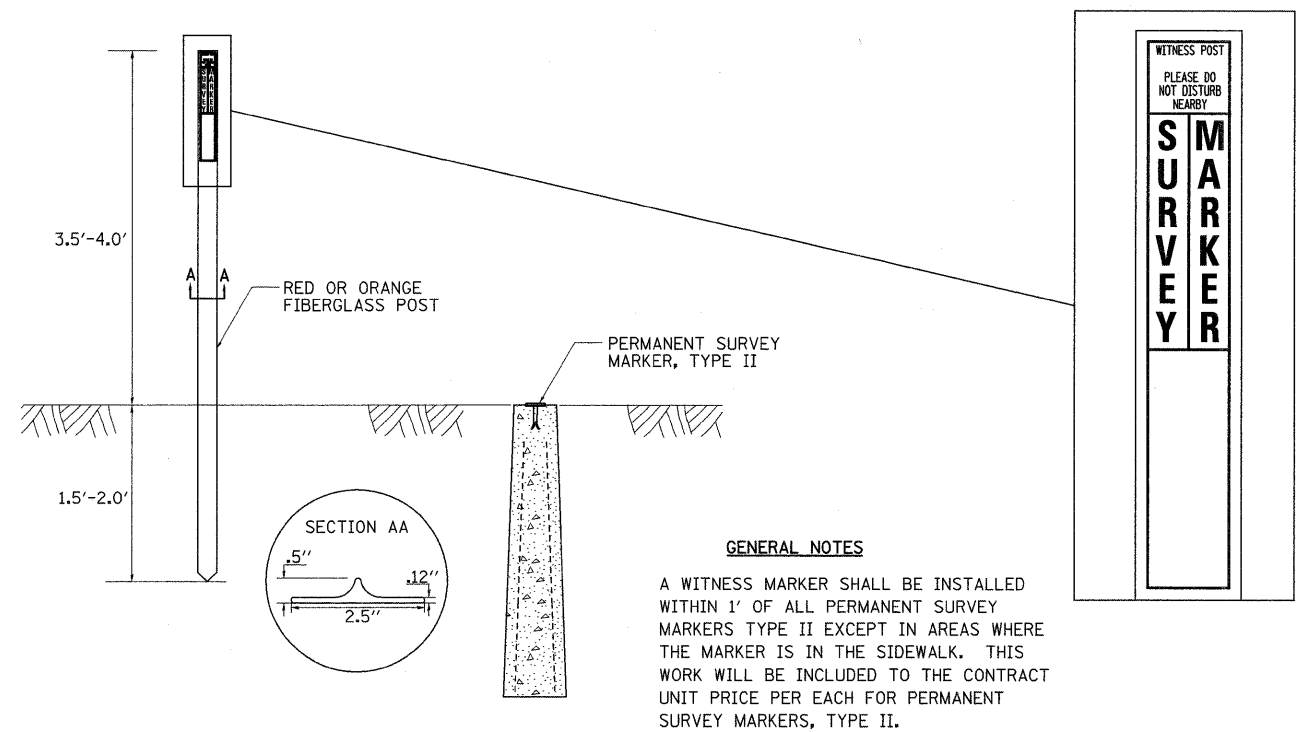
S	T	A	Y
20.7	26.8	31.6	38.0

I	N	Y	O	U	R
13.2	15.9	26.7	33.9	40.5	46.8

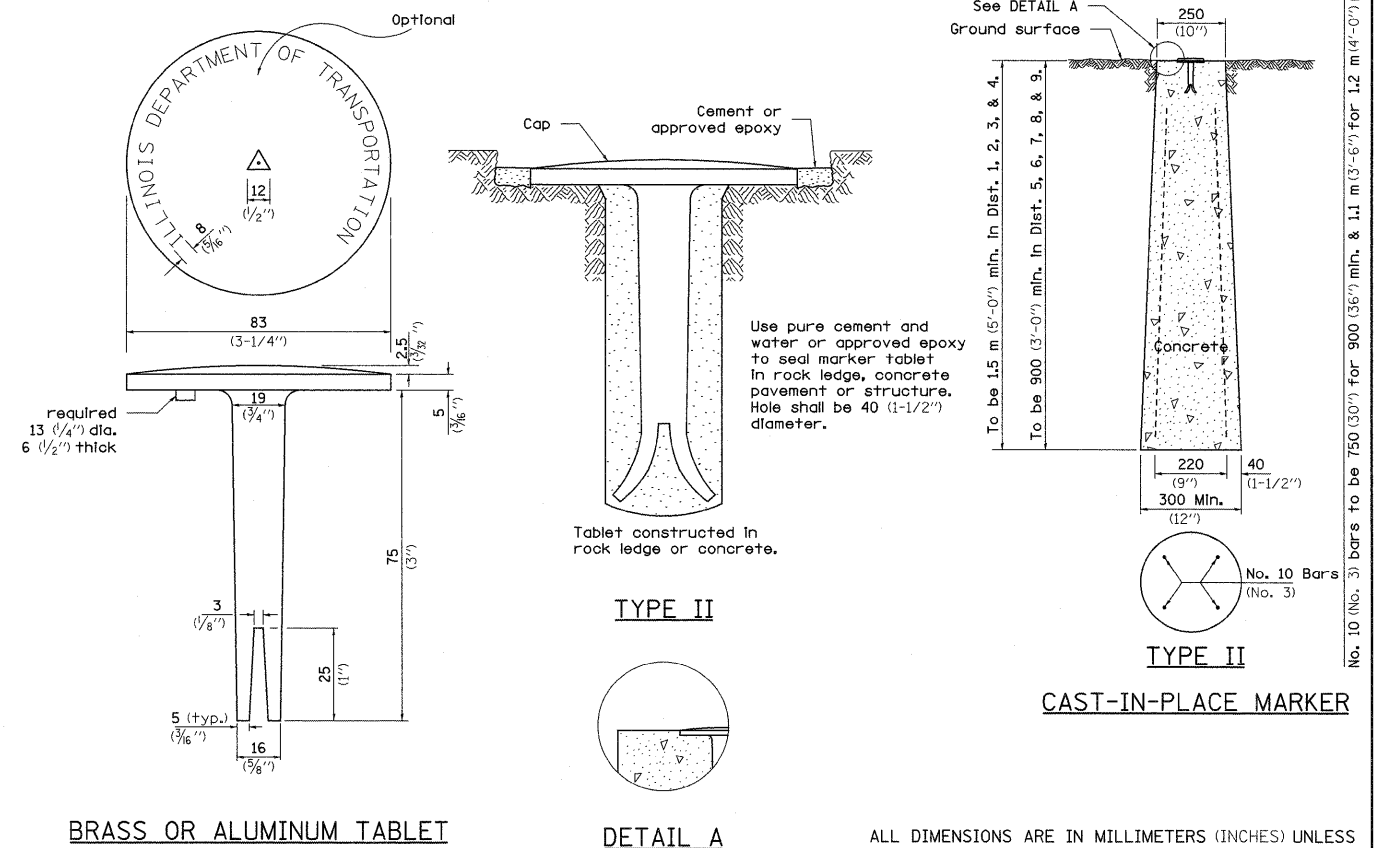
L	A	N	E
20.9	25.8	33.1	39.4

REVISED - 4-4-11

WITNESS MARKER FOR PERMANENT SURVEY MARKERS, TYPE II



PERMANENT SURVEY MARKERS, TYPE II



BRASS OR ALUMINUM TABLET

DETAIL A

ALL DIMENSIONS ARE IN MILLIMETERS (INCHES) UNLESS OTHERWISE NOTED.

REVISED - 10-21-08	REGION 2 / DISTRICT 2 STANDARD			F.A.P. RTE. 742	SECTION 39M-2	COUNTY LEE	TOTAL SHEETS 25	SHEET NO. 17
REVISED -	SCALE: 20,000 / 1" SHEET NO. OF SHEETS STA. TO STA.			FED. ROAD DIST. NO. ILLINOIS FED. AID PROJECT		CONTRACT NO. 64D77		

No. 10 (No. 3) bars to be 750 (30") for 900 (36") min. & 11.1 m (3'-6") for 1.2 m (4'-0") min.