

PROPOSED WORK

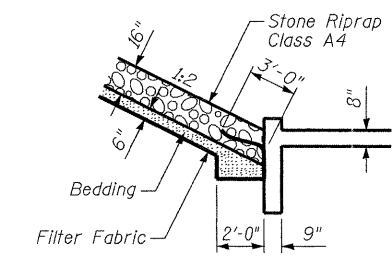
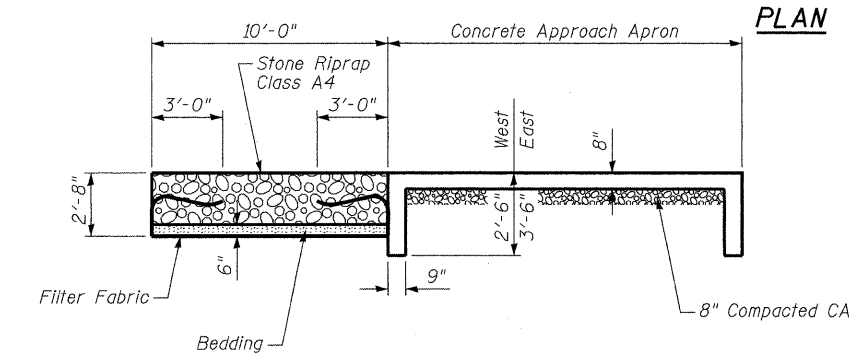
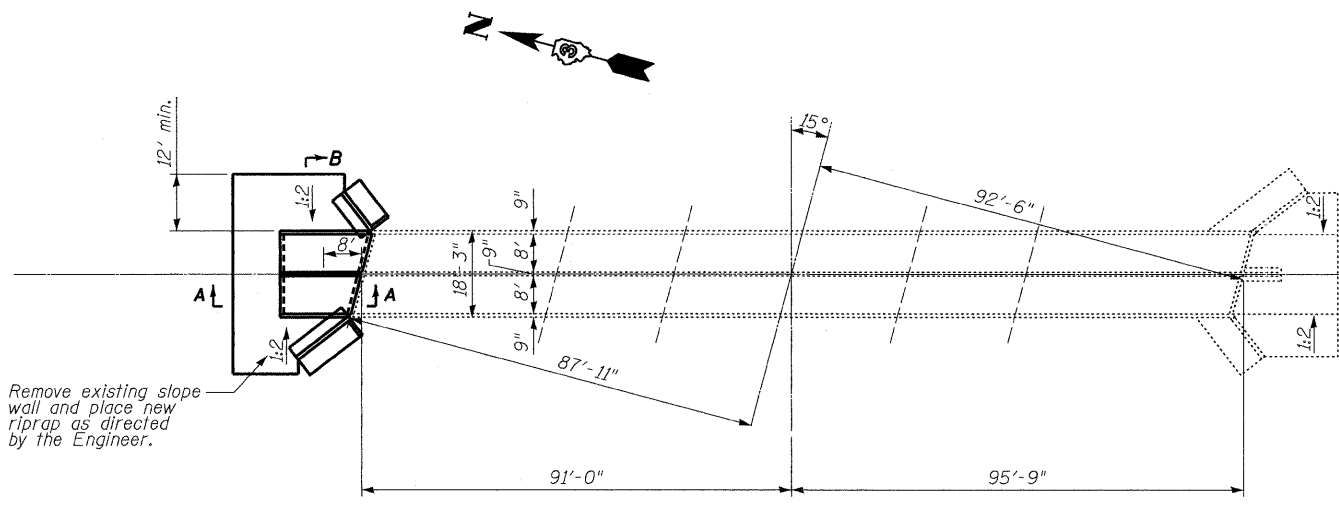
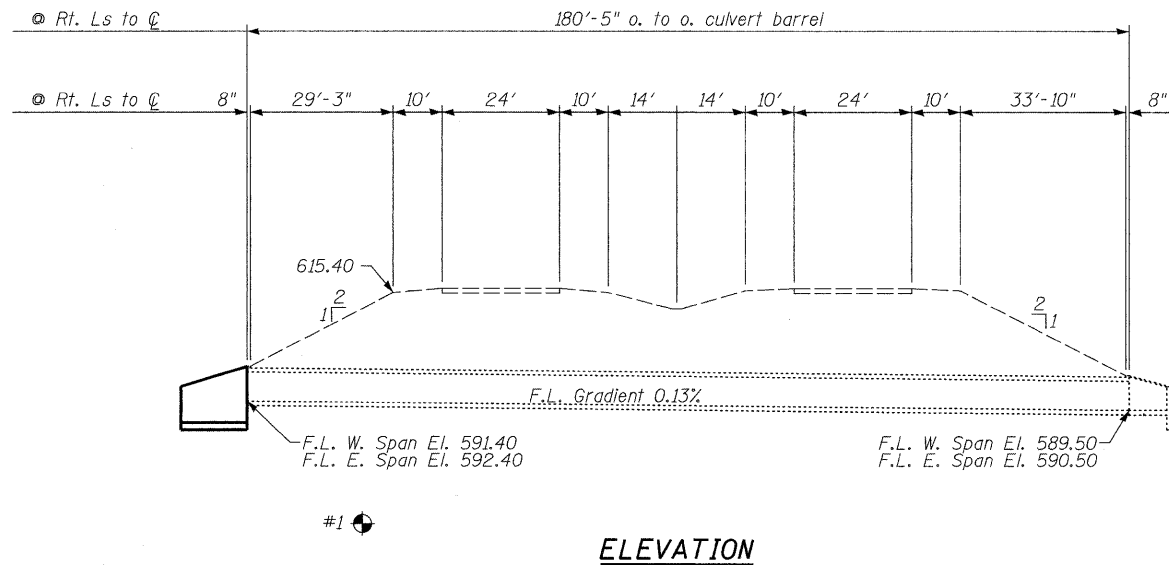
- Structure: S.N. 050-2509
1. Remove and Replace Wingwalls at North End of Culvert.
 2. Remove Concrete Slope Wall at North End of Culvert.
 3. Pour concrete approach apron.
 4. Place riprap on banks and channel.

GENERAL NOTES

Reinforcement bars designated (E) shall be epoxy coated.

Layout of slope protection system may be varied to suit ground conditions in the field as directed by the Engineer.

Plan dimensions and details relative to the existing plans are subject to nominal construction variations. The Contractor shall field verify existing dimensions and details affecting new construction and make necessary approved adjustments prior to construction or ordering of materials. Such variations shall not be cause for a change in scope of work, however, the Contractor will be paid for the quantity actually furnished, based at the unit price bid for the work.



TOTAL BILL OF MATERIAL

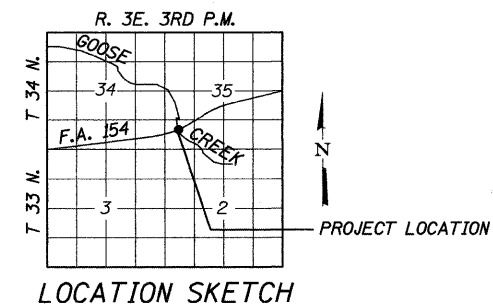
ITEM	UNIT	TOTAL
Concrete Removal	Cu. Yd.	13.5
Structure Excavation	Cu. Yd.	100
Slope Wall Removal	Sq. Yd.	73
Reinforcement Bars, Epoxy Coated	Pound	2690
Concrete Box Culvert	Cu. Yd.	31.2
Temporary Soil Retention System	Sq. Ft.	985
Stone Riprap, Class A4	Sq. Yd.	77
Filter Fabric	Sq. Yd.	128

DESIGN STRESSES (EXISTING CONSTRUCTION)

$f'_c = 1,400$ psi (barrel)
 $f'_c = 800$ psi (wings)
 $f_s = 20,000$ psi (Reinforcement)
 $n = 10$

DESIGN STRESSES (NEW CONSTRUCTION)

$f'_c = 3,500$ psi
 $F_y = 60,000$ psi
 Max Soil Pressure Under Footing 3,600 psf



GENERAL PLAN & ELEVATION
F.A.I. RT. 80 OVER GOOSE CREEK
SECTION 50-3 RS-6 & 50-4 RS-5
LASALLE COUNTY
STATION 434+28
STRUCTURE NO. 050-2509

CHAMLIN & ASSOCIATES, INC. PERU, ILLINOIS

FILE NAME = 0502509-66A48-GENPLAN-001.DGN	USER NAME =	DESIGNED - JKC	REVISED -
		CHECKED - AJO	REVISED -
	PLOT SCALE =	DRAWN - ARR	REVISED -
	PLOT DATE =	CHECKED - JKC	REVISED -

STATE OF ILLINOIS
DEPARTMENT OF TRANSPORTATION

SHEET NO. 1 OF 7 SHEETS

F.A.I. RTE.	SECTION	COUNTY	TOTAL SHEETS	SHEET NO.
80	(50-2,4)RS-5 & (50-3)RS-6	LASALLE	109	74
			CONTRACT NO. 66A48	
ILLINOIS FED. AID PROJECT				