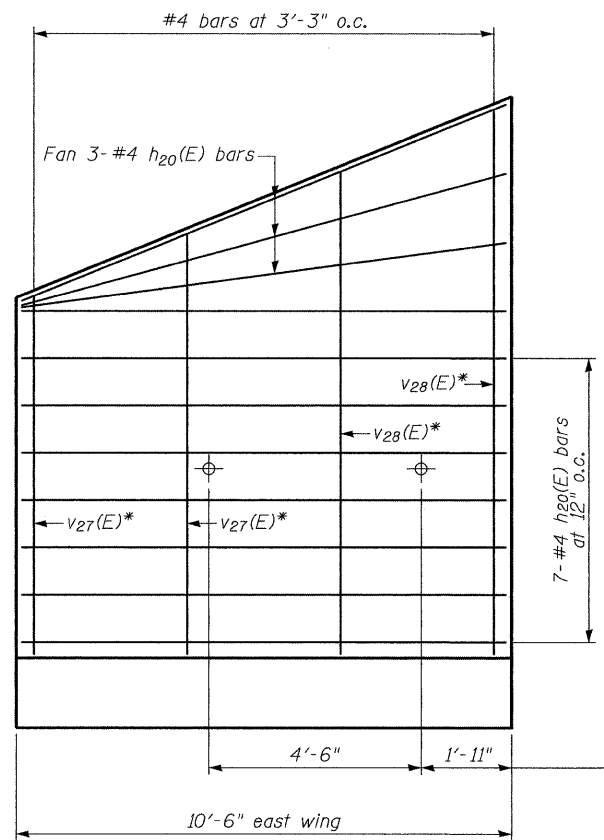


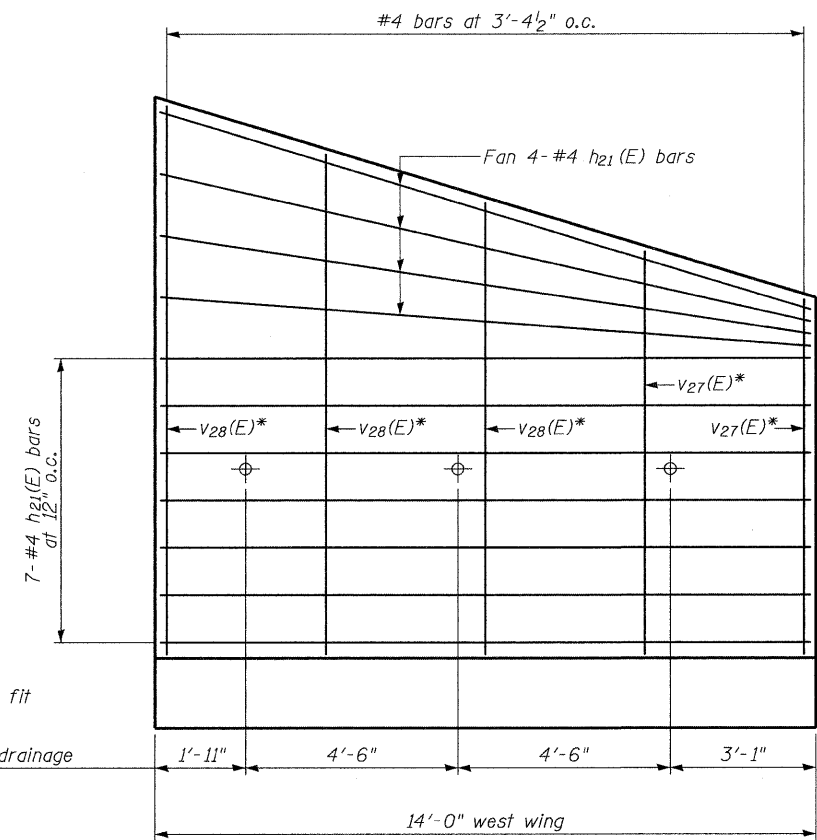
**SHORT WING**

**LONG WING**

**REINFORCEMENT-BACK FACE**

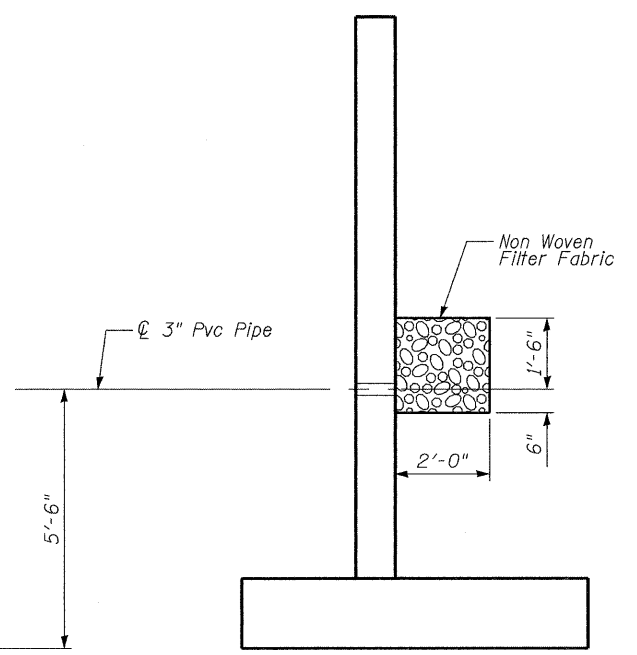


**SHORT WING**



**LONG WING**

**REINFORCEMENT-FRONT FACE**



**NOTE:**

Contractor shall install a continuous length of fabric wrapped coarse aggregate behind the entire length of the wing wall and 6 feet of the culvert barrel. The coarse aggregate contained inside the fabric wrap shall be CA-5 or CA-7. The nonwoven Filter Fabric shall have a minimum weight of 8.0 ounces / square yard. Where necessary, the fabric shall be lapped over itself a minimum of 2 feet. Cost of the fabric, the coarse aggregate, and installation is included in the pay item Filter Fabric.

CHAMLIN & ASSOCIATES, INC. PERU, ILLINOIS

FILE NAME = 0502509-66A48-WINGWALL-DET-003.DGN	USER NAME =	DESIGNED - JKC	REVISED -	<b>STATE OF ILLINOIS DEPARTMENT OF TRANSPORTATION</b>	<b>WINGWALL REINFORCEMENT DETAILS STRUCTURE NO. 050-2509</b>	F.A.I. RTE. = 80	SECTION = (50-2,4)RS-5 & (50-3)RS-6	COUNTY = LASALLE	TOTAL SHEETS = 109	SHEET NO. = 76
PLOT SCALE =	DRAWN - ARR	REVISED -	CONTRACT NO. 66A48							
PLOT DATE =	CHECKED - JKC	REVISED -	ILLINOIS FED. AID PROJECT							
SHEET NO. 3 OF 7 SHEETS										