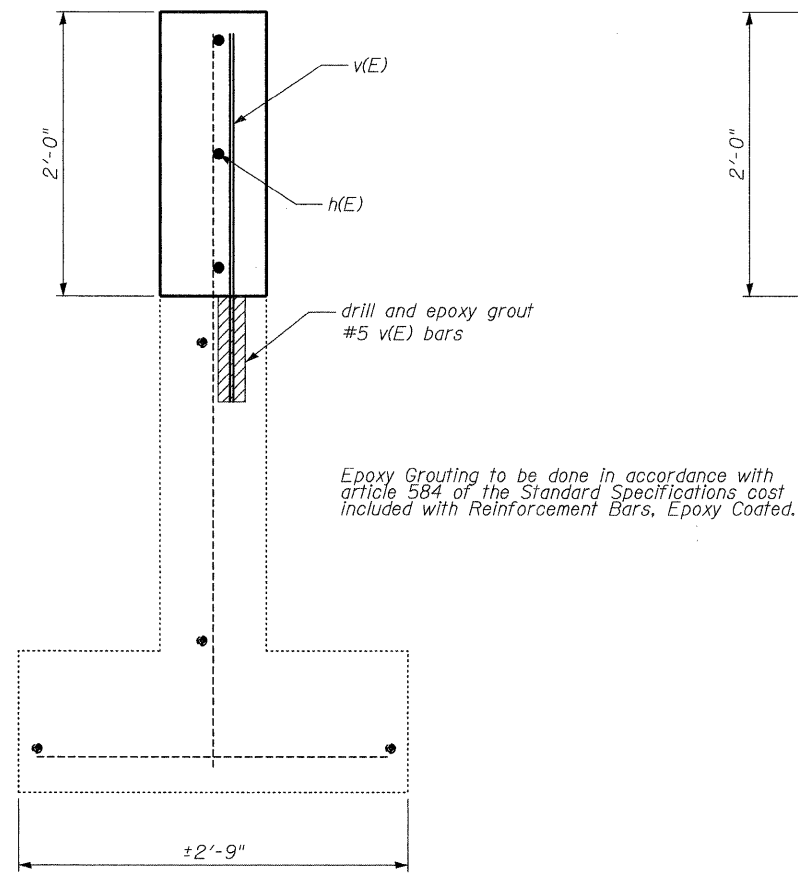
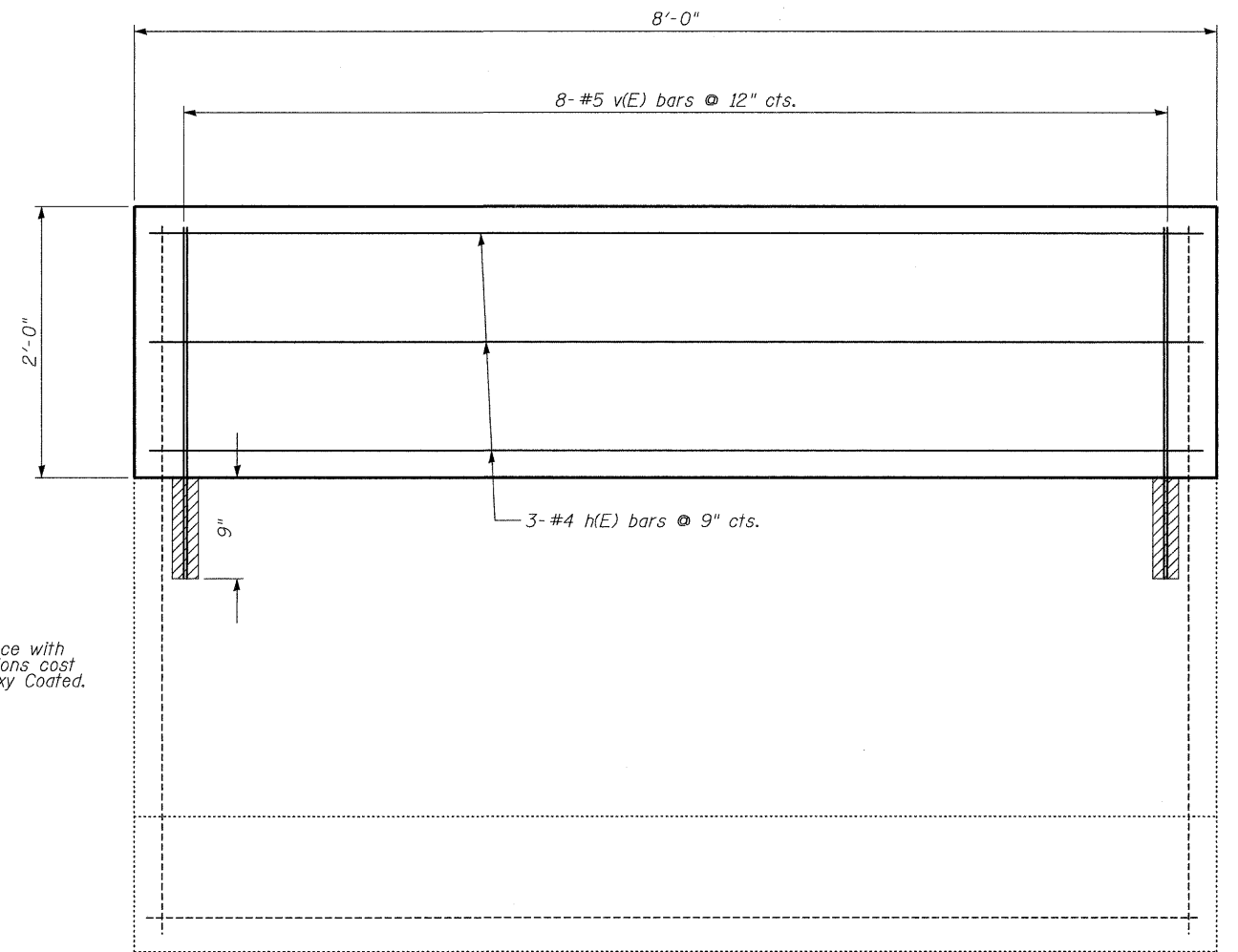


**Channel Divider**  
(existing)



**Channel Divider**  
(proposed)



**Channel Divider**

Note: Existing vertical rebar in the channel divider wall shall be cleaned, straightened, and incorporated into the new wall.

FILE NAME =  
0502509-66A48-DET-004.DGN

USER NAME =

DESIGNED - JKC  
CHECKED - AJO

REVISED - \_\_\_\_\_  
REVISED - \_\_\_\_\_

PLOT SCALE =  
PLOT DATE =

DRAWN - ARR  
CHECKED - JKC

REVISED - \_\_\_\_\_  
REVISED - \_\_\_\_\_

**STATE OF ILLINOIS**  
**DEPARTMENT OF TRANSPORTATION**

**CHANNEL DIVIDER DETAILS**  
**STRUCTURE NO. 050-2509**

SHEET NO. 5 OF 7 SHEETS

F.A.I. RTE.	SECTION	COUNTY	TOTAL SHEETS	SHEET NO.
80	(50-2,4)RS-5 & (50-3)RS-6	LASALLE	109	78
			CONTRACT NO. 66A48	
ILLINOIS FED. AID PROJECT				