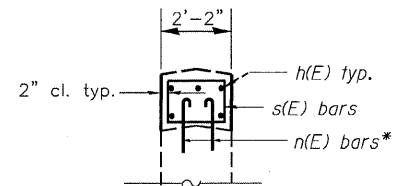


Notes:

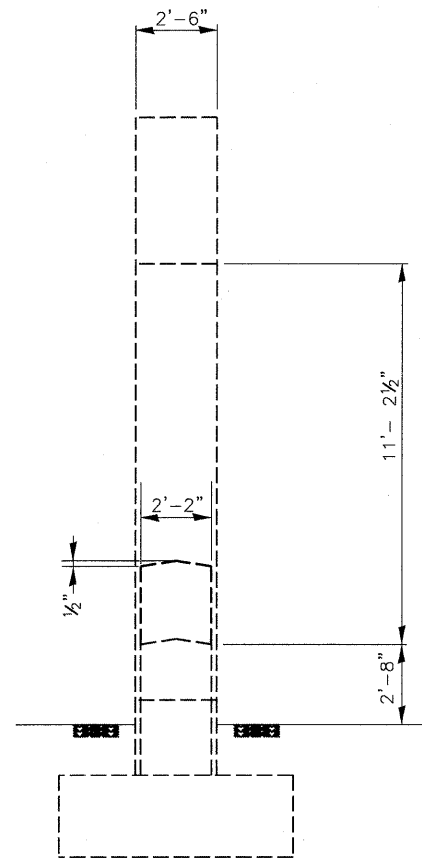
All exposed edges shall have a 3/4" chamfer

Reinforcement bars designated (E) shall be epoxy coated.

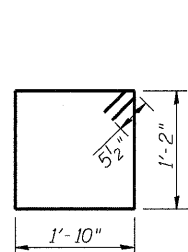
Plan dimensions and details relative to existing plans are subject to nominal construction variations. The Contractor shall field verify existing dimensions and details affecting new construction and make necessary approved adjustments prior to construction or ordering of materials. Such variations shall not be cause for additional compensation for a change in scope of the work, however, the Contractor will be paid for the quantity actually furnished based at the unit price bid for the work



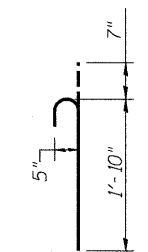
SECTION A-A



END VIEW



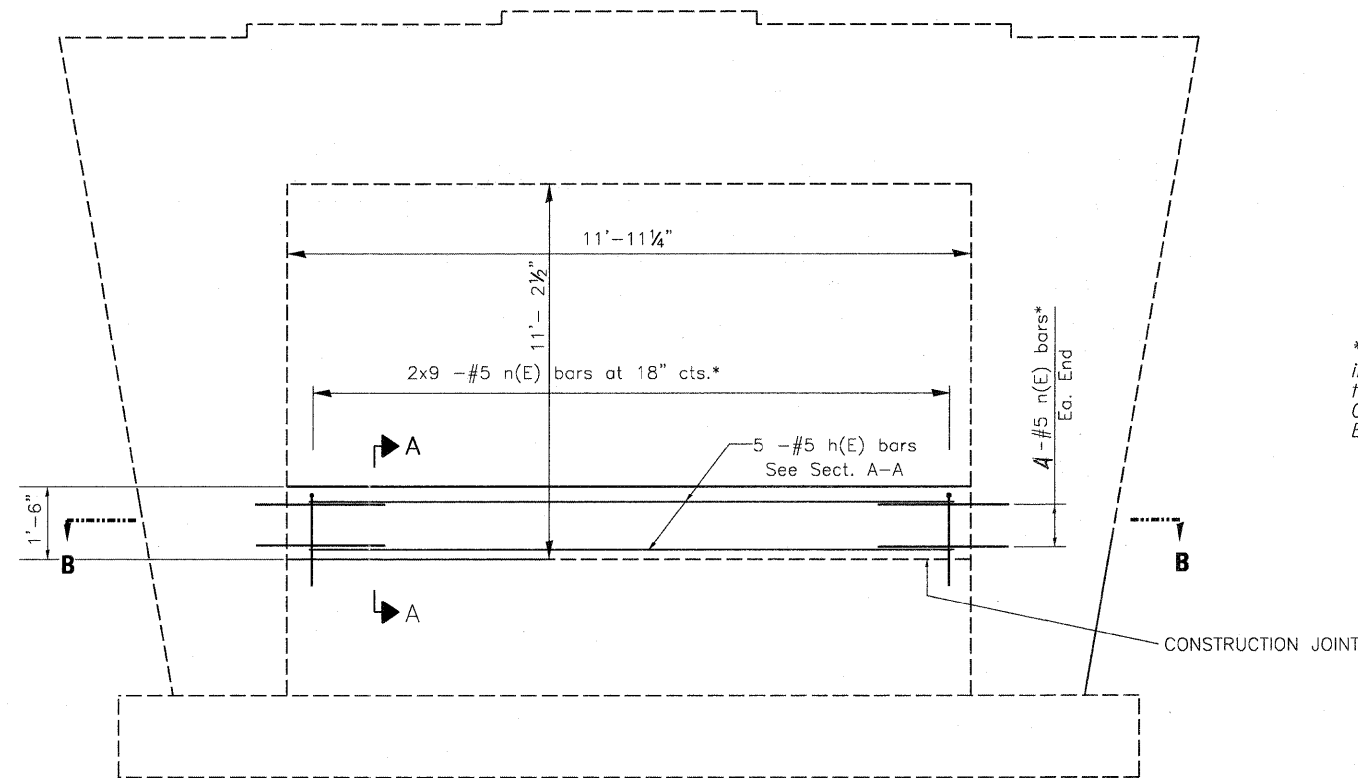
BAR s(E)



BAR n(E)*

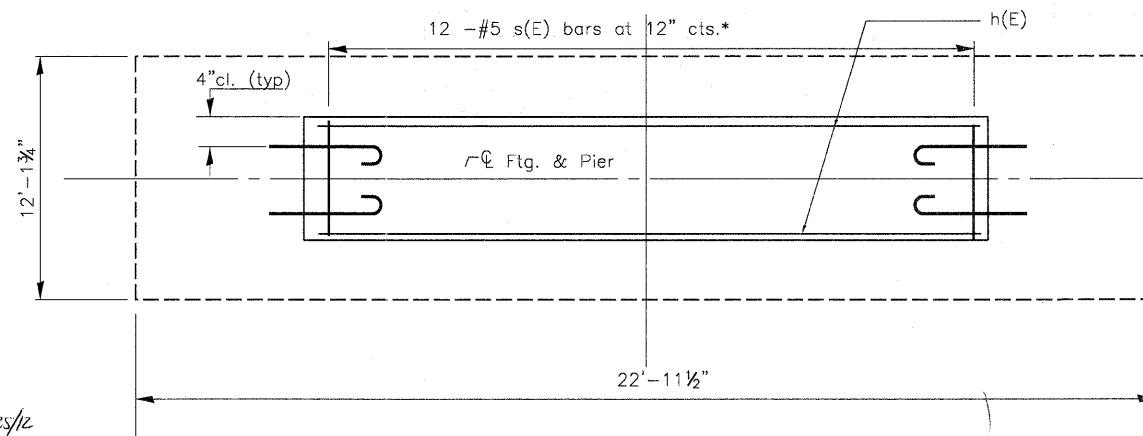


David Carl Puzey 1/25/12
Expires 11/30/12



ELEVATION

*Drill & Epoxy Grout bars in 9" min. drilled holes according to Section 584 of Std. Spec. Cost included with Reinforcement Bars, Epoxy Coated



SECTION B-B

BILL OF MATERIAL

Bar	No.	Size	Length	Shape
h(E)	5	#5	11'-7"	—
n(E)	26	#5	2'-5"	U
s(E)	12	#5	6'-11"	□
Reinforcement Bars, Epoxy Coated			POUND	213
Concrete Structures			CU YD	1.4

MEDIAN PIER

LONE TREE ROAD OVER FAI 80
SEC. (50-2, 4)RS-5 & (50-3)RS-6
LASALLE COUNTY
S.N. 050-0223