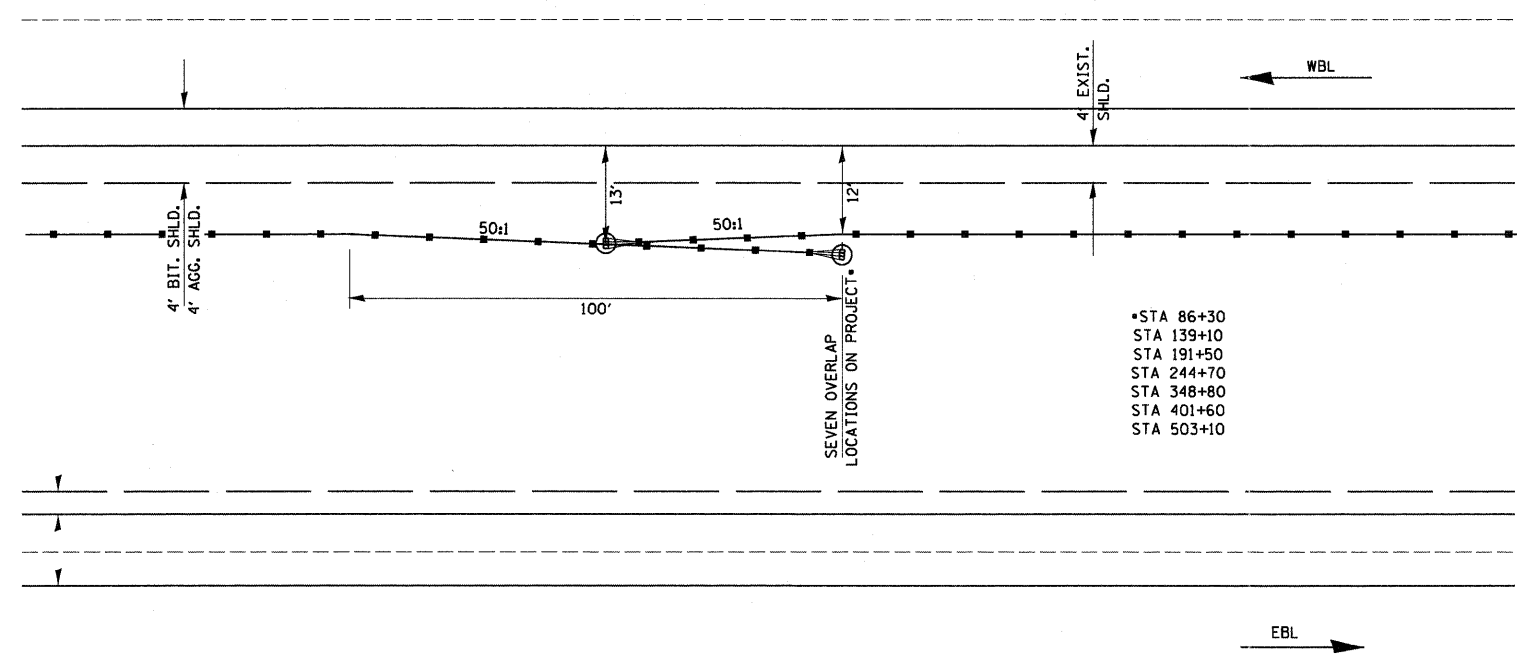


•STATION TO STATION  
 431+77 TO 540+41-48'  
 540+41 TO 555+41-VARIES  
 555+41 TO 589+00-40'

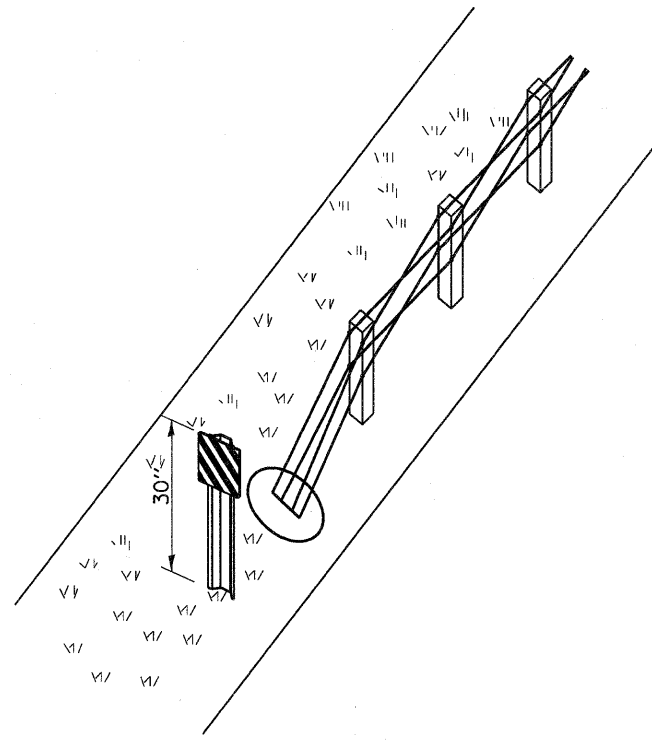
**4 MAINTENANCE CROSSOVERS**

- NOTES:
1. POSTS SHALL BE DRIVEN IN ACCORDANCE WITH MANUFACTURES SPECIFICATIONS.
  2. POST SPACING MAY BE ALTERED TO AVOID DRAINAGE OR OTHER OBSTACLES.

WEST OF IL 178:  
 STA. 862+50  
 EAST OF IL 178:  
 STA. 33+50  
 STA. 296+00  
 STA. 450+30



**HIGH TENSION CABLE BARRIER OVERLAP DETAIL**



**HTC MEDIAN BARRIER  
 POST MOUNTED TERMINAL MARKER DETAIL**

NOT TO SCALE

FILE NAME =	USER NAME = #USER#	DESIGNED -	REVISED -	<b>STATE OF ILLINOIS DEPARTMENT OF TRANSPORTATION</b>	<b>DETAILS</b>		F.A.I. RTE.	SECTION	COUNTY	TOTAL SHEETS	SHEET NO.	
#FILE#		DRAWN -	REVISED -		SCALE: _____	SHEET _____ OF _____ SHEETS	STA. _____ TO STA. _____	80	(50-2, 4)RS-5 & (50-3)RS-6	LASALLE	109	88
		CHECKED -	REVISED -					CONTRACT NO. 66A48				
		PLOT DATE = #DATE#	REVISED -					ILLINOIS FED. AID PROJECT				