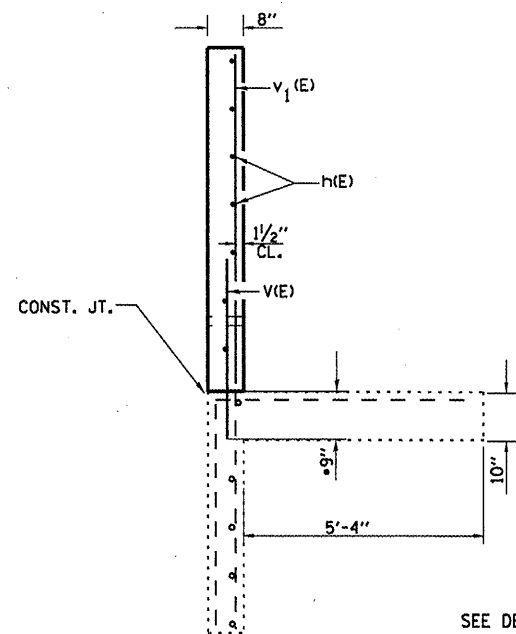


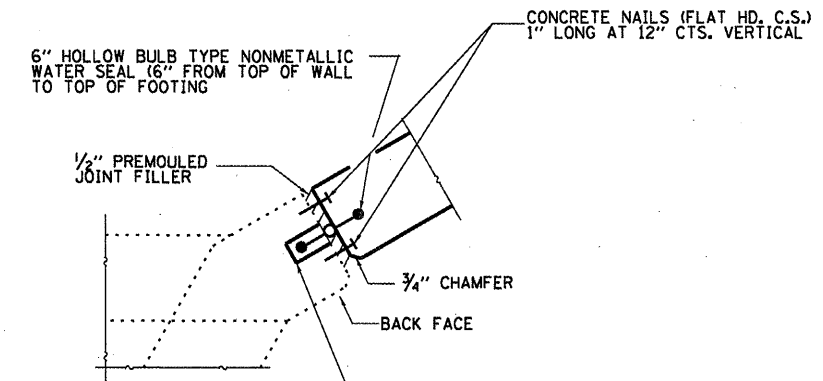
WING ELEVATION

*ORDER v₁(E) BARS IN FULL LENGTH AND CUT IN FIELD TO FIT.



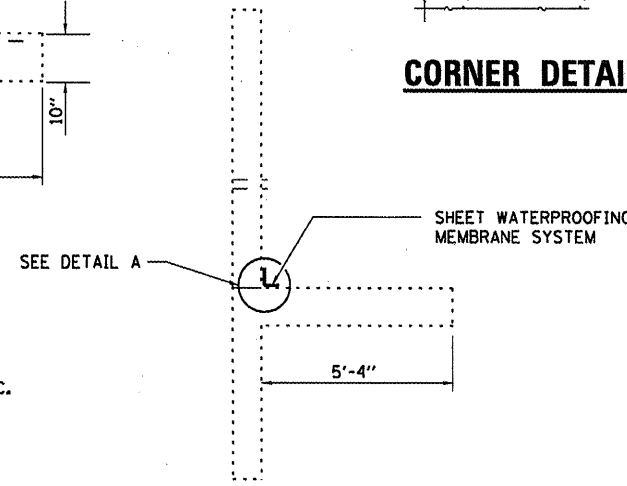
SECTION A-A

** DRILL & GROUT v(E) BARS INTO EXISTING CONCRETE FOOTING ACCORDING TO SECTION 584 OF THE STANDARD SPEC.



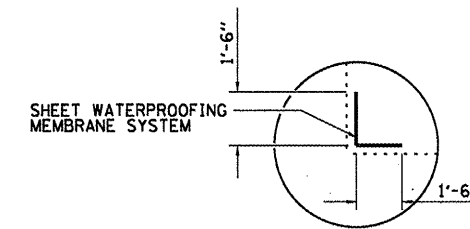
CORNER DETAIL

EPOXY NEW WATER SEAL INTO 2" WIDE SAWCUT GROOVE. EPOXY TO MEET THE REQUIREMENTS OF ASTM C881, TYPE III, GRADE 3. PRIME GROOVE WITH AN EPOXY MEETING ASTM C881, TYPE III, GRADE 1. COST INCLUDED WITH CONCRETE BOX CULVERTS.

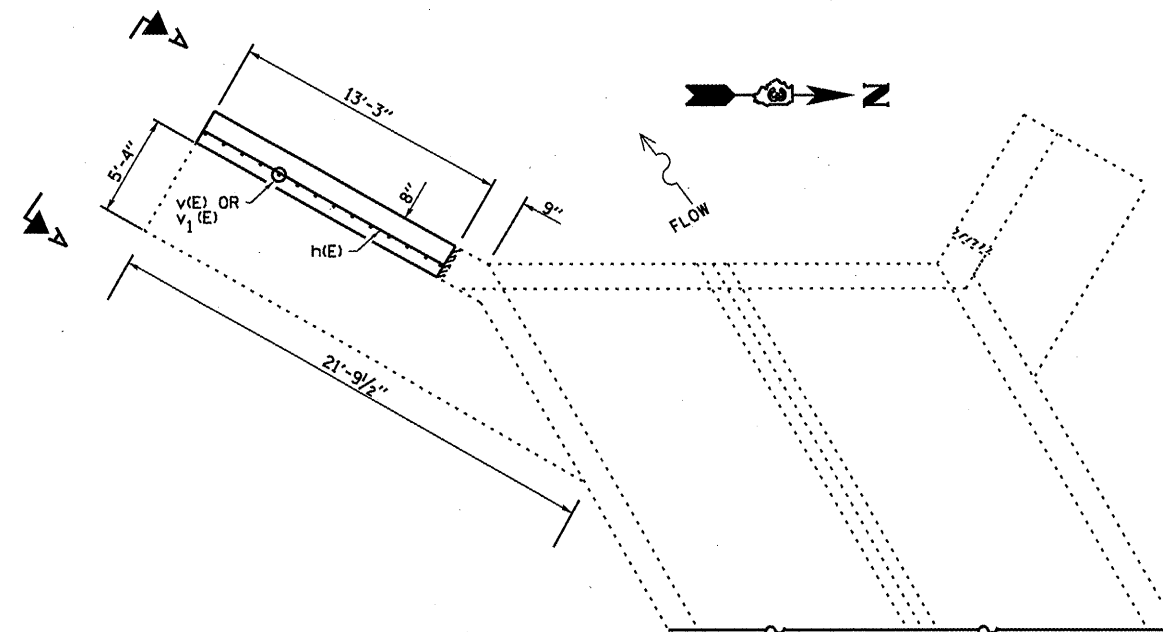


SECTION A-A

SHEET WATERPROOFING MEMBRANE SYSTEM



DETAIL A



PARTIAL PLAN

BILL OF MATERIAL

Bar	No.	Size	Length	Shape
h(E)	7	#5	13'-0"	—
v(E)	18	#6	3'-0"	—
v ₁ (E)	18	#4	8'-2"	—
Concrete Box Culverts	Cu. Yd.		2.1	
Reinforcement Bars	Pound		274	
Sheet Waterproofing Membrane System	Sq. Yd.		5.0	

FILE NAME =	USER NAME = patelijj	DESIGNED - YOGESH PATEL	REVISED -
ct:\pw_work\pwwdot\patelijj\0266509\036642-sheets.dgn		DRAWN - YOGESH PATEL	REVISED -
PLOT SCALE = 100.0000' / 1"		CHECKED - RON WOODSHANK	REVISED -
PLOT DATE = 12/27/2011		DATE -	REVISED -

STATE OF ILLINOIS
DEPARTMENT OF TRANSPORTATION

**RECONSTRUCTION DETAILS
FOR LOCATION 2: SN 053-2013**

SCALE: SHEET NO. 5 OF 5 SHEETS STA. TO STA.

F.A.P. RTE.	SECTION	COUNTY	TOTAL SHEETS	SHEET NO.
VAR.	VARIOUS	VARIOUS	40	16
			CONTRACT NO. 66B42	
ILLINOIS FED. AID PROJECT				