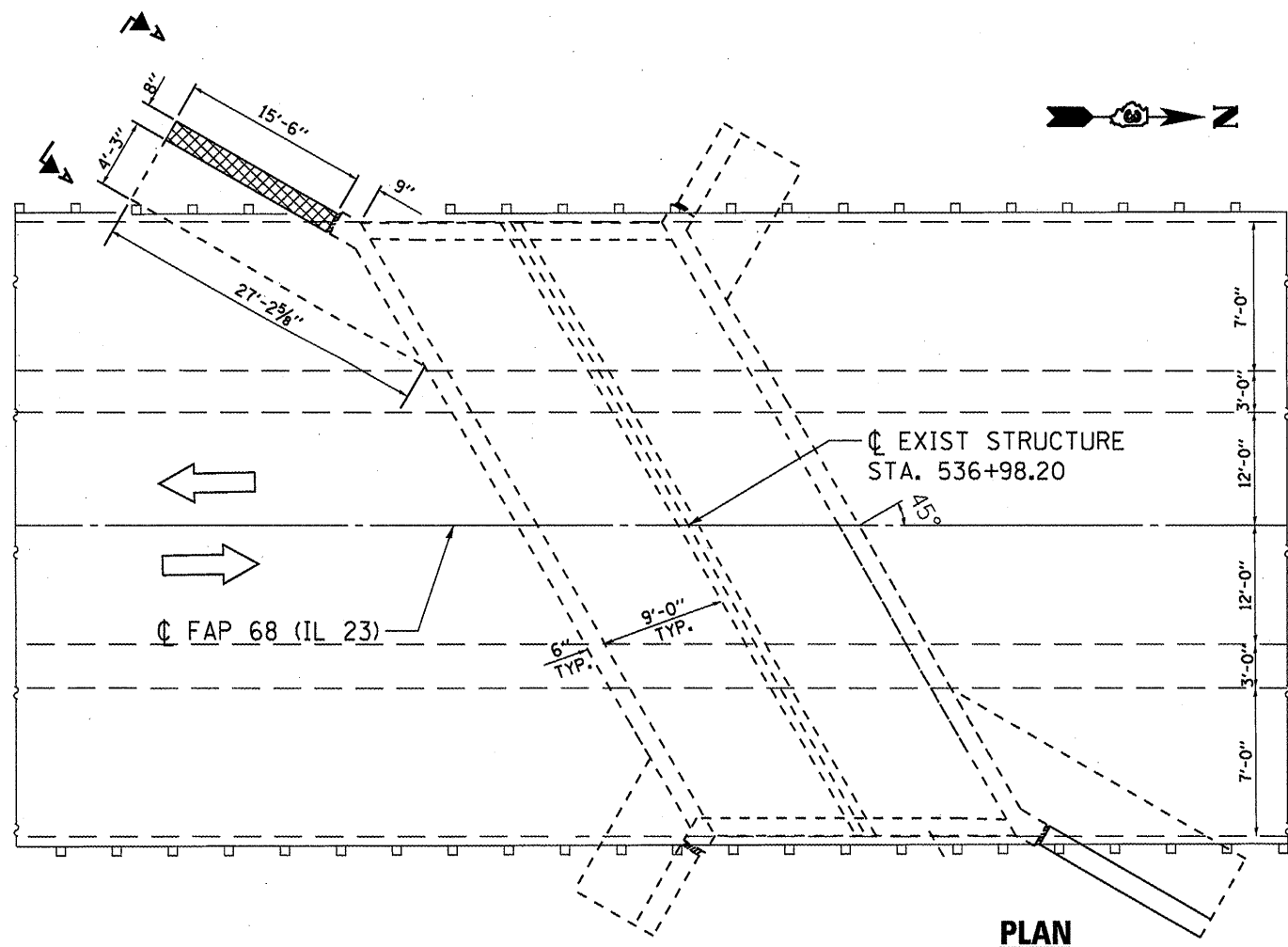
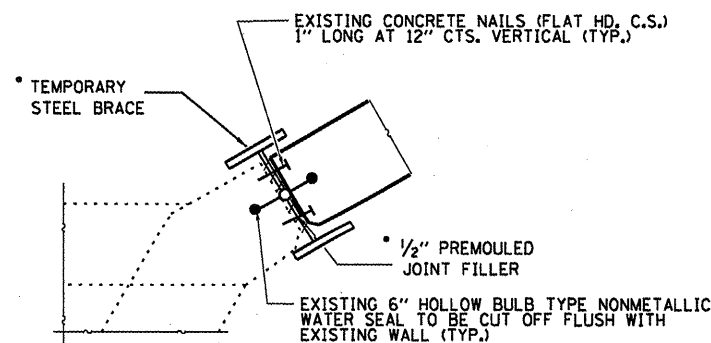


ELEVATION



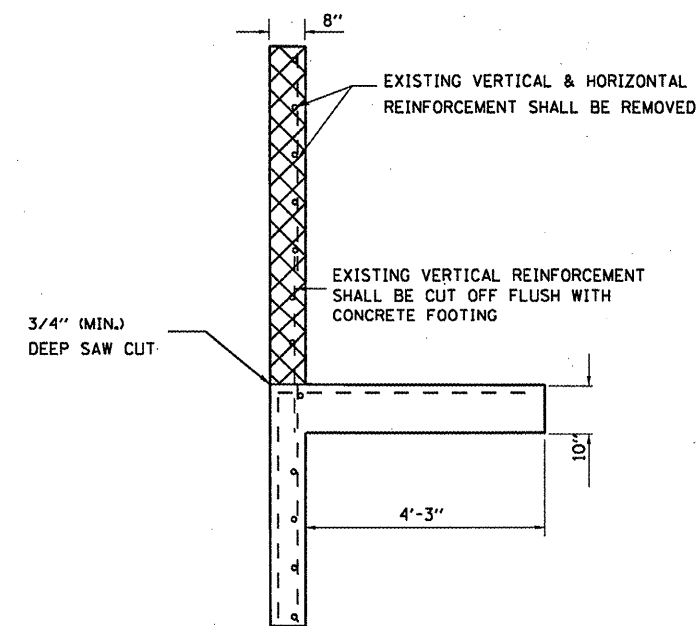
PLAN



CORNER DETAIL

* REMOVAL TO BE INCLUDED IN THE COST OF "CONCRETE REMOVAL"

CONCRETE REMOVAL



SECTION A-A

BILL OF MATERIAL

ITEM	UNIT	TOTAL
CONCRETE REMOVAL	CU YD	2.0

FILE NAME =	USER NAME = patelj	DESIGNED - YOGESH PATEL	REVISED -
ct:\pwork\p\idot\patelj\0266589\0366	42-sheets.dgn	DRAWN - YOGESH PATEL	REVISED -
	PLOT SCALE = 100.0000' / 1"	CHECKED - RON WOODSHANK	REVISED -
	PLOT DATE = 12/27/2011	DATE -	REVISED -

STATE OF ILLINOIS
DEPARTMENT OF TRANSPORTATION

**CONCRETE REMOVAL DETAILS
FOR LOCATION 3: SN 053-2014**

SCALE: SHEET NO. 4 OF 6 SHEETS STA. TO STA.

F.A.P. RTE.	SECTION	COUNTY	TOTAL SHEETS	SHEET NO.
VAR	VARIOUS	VARIOUS	40	20
			CONTRACT NO. 66B42	
ILLINOIS FED. AID PROJECT				