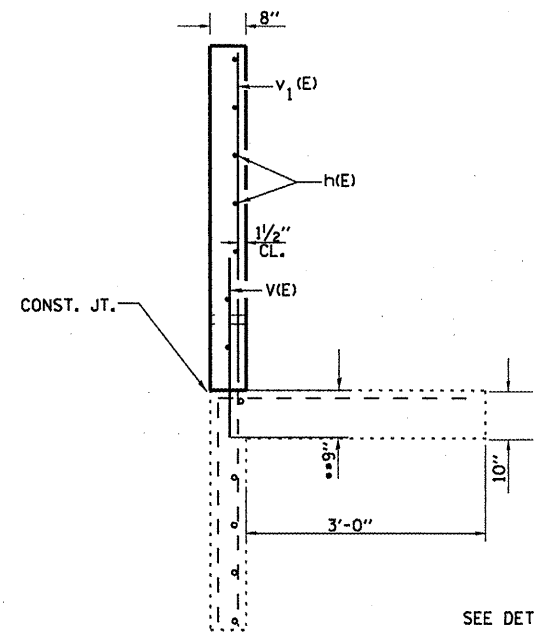


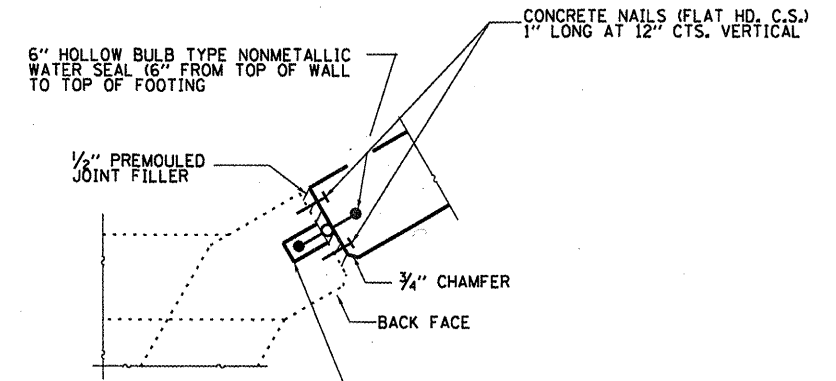
WING ELEVATION

*ORDER $v_1(E)$ BARS IN FULL LENGTH AND CUT IN FIELD TO FIT.



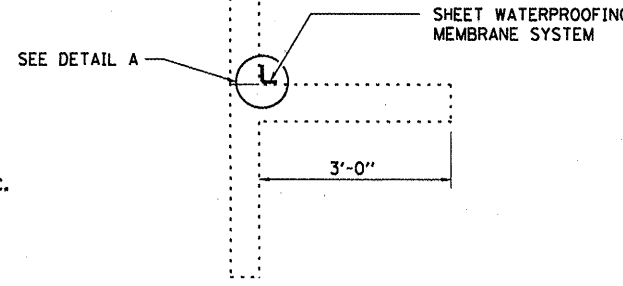
SECTION A-A

** DRILL & GROUT $v_1(E)$ BARS INTO EXISTING CONCRETE FOOTING, ACCORDING TO SECTION 584 OF THE STANDARD SPEC.



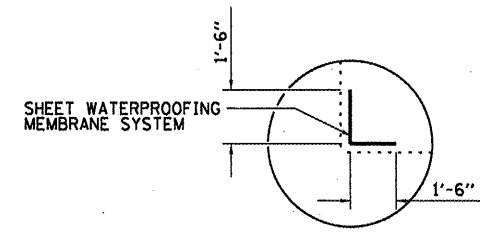
CORNER DETAIL

EPOXY NEW WATER SEAL INTO 2" WIDE SAWCUT GROOVE. EPOXY TO MEET THE REQUIREMENTS OF ASTM C881, TYPE III, GRADE 3. PRIME GROOVE WITH AN EPOXY MEETING ASTM C881, TYPE III, GRADE 1. COST INCLUDED WITH CONCRETE BOX CULVERTS.

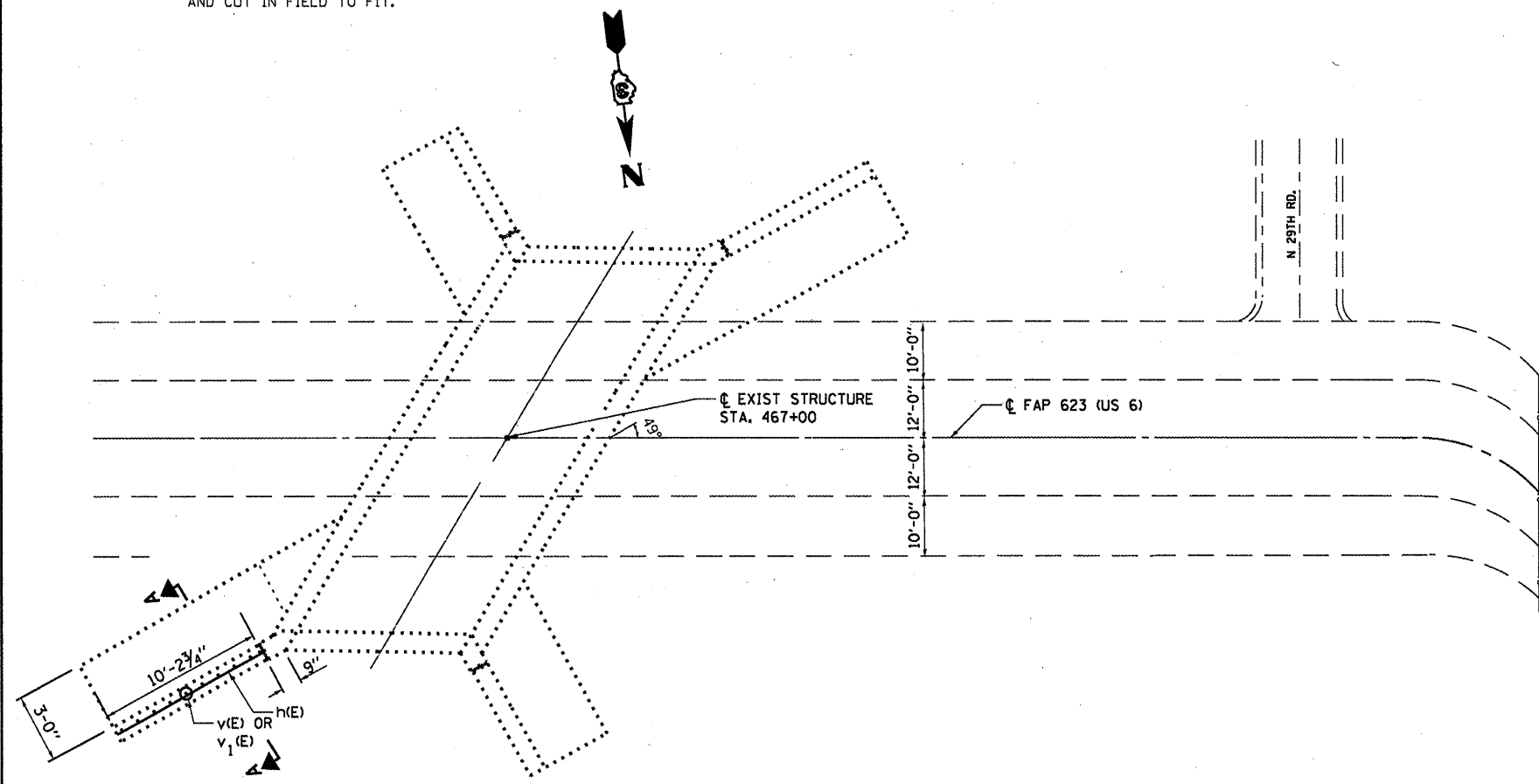


SECTION A-A

SHEET WATERPROOFING MEMBRANE SYSTEM



DETAIL A



BILL OF MATERIAL

Bar	No.	Size	Length	Shape
$h(E)$	3	#5	10'-0"	—
$v(E)$	11	#6	3'-0"	—
$v_1(E)$	11	#4	3'-0"	—
Concrete Box Culverts			Cu. Yd.	1.0
Reinforcement Bars			Pound	103
Sheet Waterproofing Membrane System			Sq. Yd.	4.0