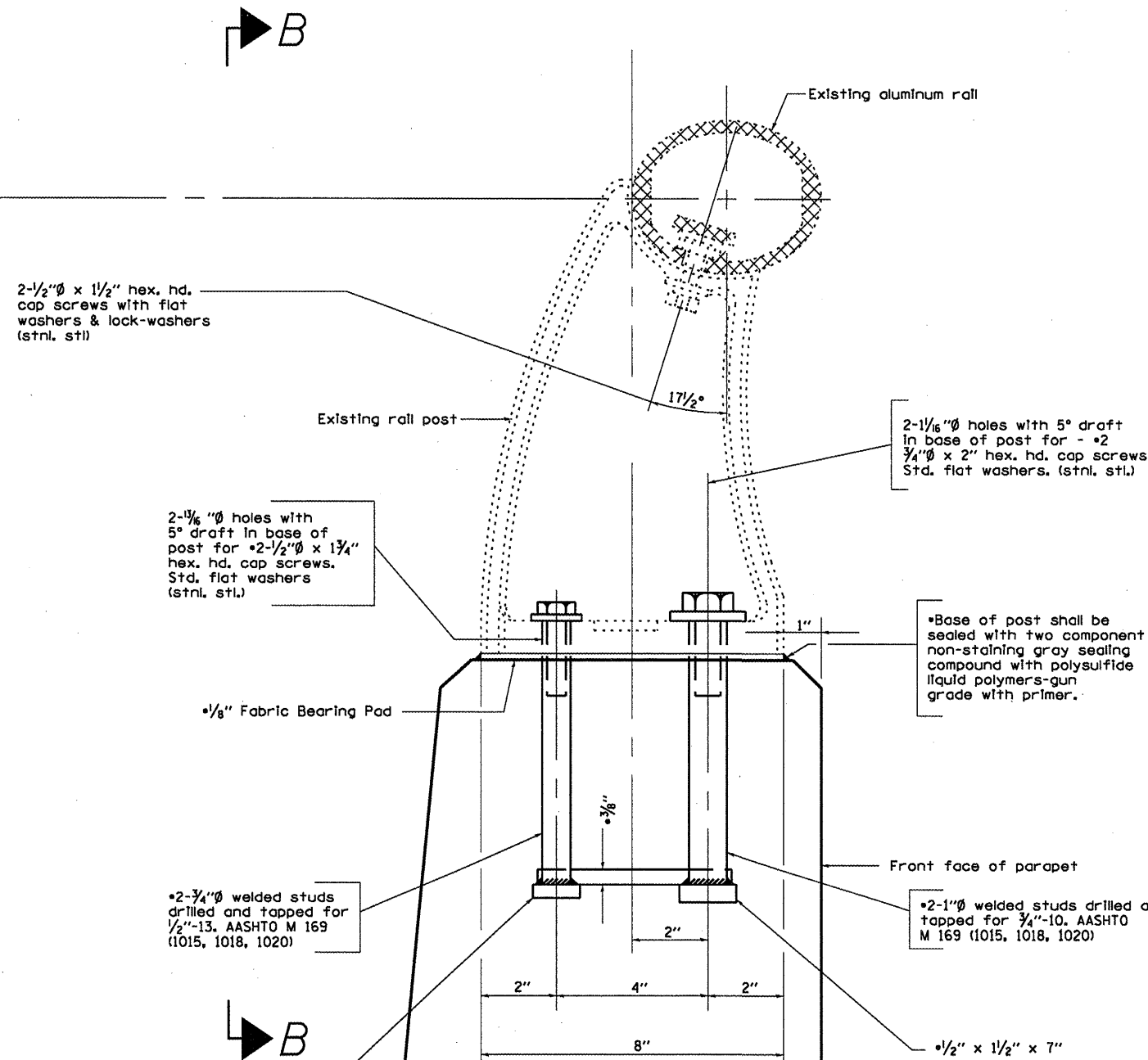


VIEW B-B



SECTION A-A

RAIL POST DETAILS

Notes:
 All Posts shall be normal to parapet.
 All joints in rail shall be spliced per detail.
 Provide 1-1/8" and 2-1/16" Aluminum Shims for 25% of the Posts.
 Rail elements shall be parallel to Grade-high spots will be ground and low spots shimmed.
 Horizontal rail element & rail posts shown are for information only.

• New Roll Post anchorage devices will be required at each location where posts are connected to new construction. Cost shall be included with "Concrete Superstructure".

FILE NAME =	USER NAME = petelyj	DESIGNED - RON WOODSHANK	REVISED -	STATE OF ILLINOIS DEPARTMENT OF TRANSPORTATION	BRIDGE RAIL POSTS		F.A.I. RTE.	SECTION	COUNTY	TOTAL SHEETS	SHEET NO.
c:\pwwork\pvidot\petelyj\0268336\036848-sht-details.dgn		DRAWN - RON WOODSHANK	REVISED -		FOR SN 053-128 & SN 053-0129		55	(53-5B-1)1-2	LIVINGSTON	16	12
PLOT SCALE = 100.0000' / 1"		CHECKED - ADY	REVISED -		SCALE: _____	SHEET NO. 4 OF 8 SHEETS	STA. _____	TO STA. _____	CONTRACT NO. 66B48		
PLOT DATE = 12/22/2011		DATE -	REVISED -		ILLINOIS FED. AID PROJECT						