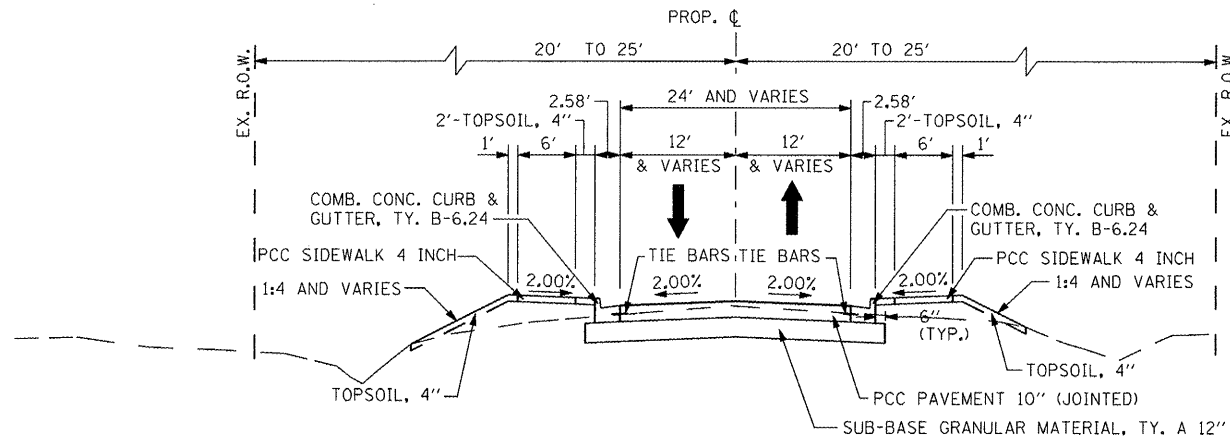


NOTE:
SEE THE ROADWAY PLAN AND PROFILE SHEETS FOR ADDITIONAL INFORMATION.

PROPOSED TYPICAL SECTION

S. MEADOWVIEW LANE: STA. 9+24.00 TO STA. 9+70.00
N. MEADOWVIEW LANE: STA. 10+30.00 TO STA. 10+78.00

S. MEADOWVIEW LANE: STA. 9+31.49 TO STA. 9+59.72
N. MEADOWVIEW LANE: STA. 10+41.18 TO STA. 10+68.57



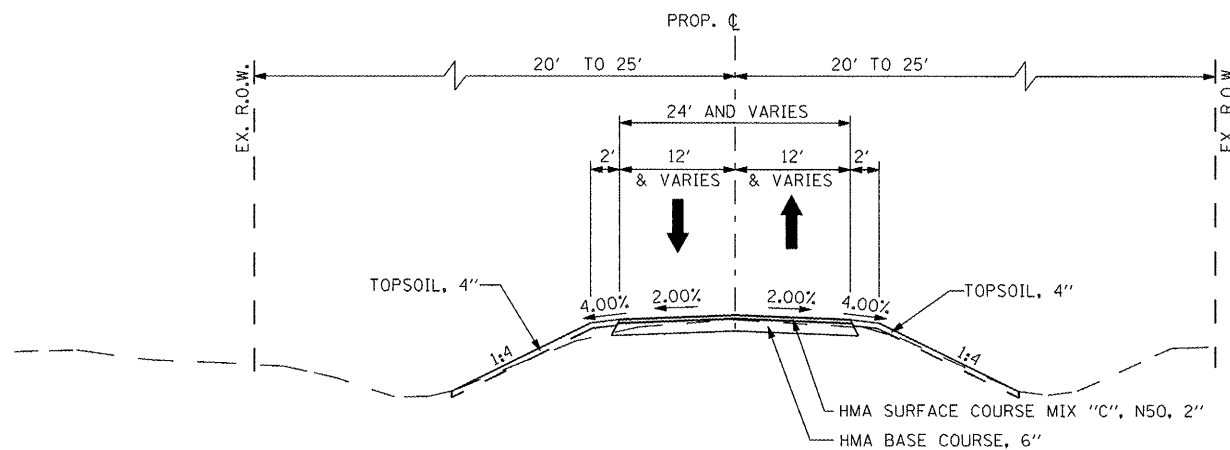
NOTE:
SEE THE ROADWAY PLAN AND PROFILE SHEETS FOR ADDITIONAL INFORMATION.

PROPOSED TYPICAL SECTION

GRANT STREET: STA. 9+32.67 TO STA. 9+70.00
VOHLAND STREET: STA. 9+33.98 TO STA. 9+70.00
MCGINLEY ROAD: STA. 9+35.00 TO STA. 9+70.00
ESKEN: STA. 10+33.85 TO STA. 11+14.81
WAGNER STREET: STA. 9+33.47 TO STA. 9+70.00
ERNEST STREET: STA. 9+30.53 TO 9+70.13

NOTE 1:

THE EXISTING PAVEMENT THICKNESS FOR SIDE STREETS IS 8\"/>



NOTE:
SEE THE ROADWAY PLAN AND PROFILE SHEETS FOR ADDITIONAL INFORMATION.

PROPOSED TYPICAL SECTION

GRANT STREET: STA. 8+81.90 TO STA. 9+32.67
VOHLAND STREET: STA. 9+10.60 TO STA. 9+33.98
MCGINLEY ROAD: STA. 8+82.03 TO STA. 9+35.00
ESKEN: STA. 11+14.81 TO STA. 11+30.11 (AGG. SURFACE COURSE, TYPE B 6\"/>

FILE NAME =	USER NAME = IDOT	DESIGNED -	REVISED -	STATE OF ILLINOIS DEPARTMENT OF TRANSPORTATION	FAP 399 (IL RTE. 8) PROPOSED TYPICAL SECTIONS - SIDE STREETS	F.A.P. RTE.:	SECTION	COUNTY	TOTAL SHEETS	SHEET NO.
x:\projects\200803566\dgn\04-Rte8-shr-Typical-6.dgn	DRAWN -	REVISED -	399			36 R-7	TAZEWELL	390	19	
PLOT SCALE = 20,002 FT / IN.	CHECKED -	REVISED -	CONTRACT NO. 68370							
PLOT DATE = 10/21/2011	DATE - 10-21-11	REVISED -	ILLINOIS FED. AID PROJECT							
					SCALE: NTS	SHEET NO. OF SHEETS		STA. TO STA.		