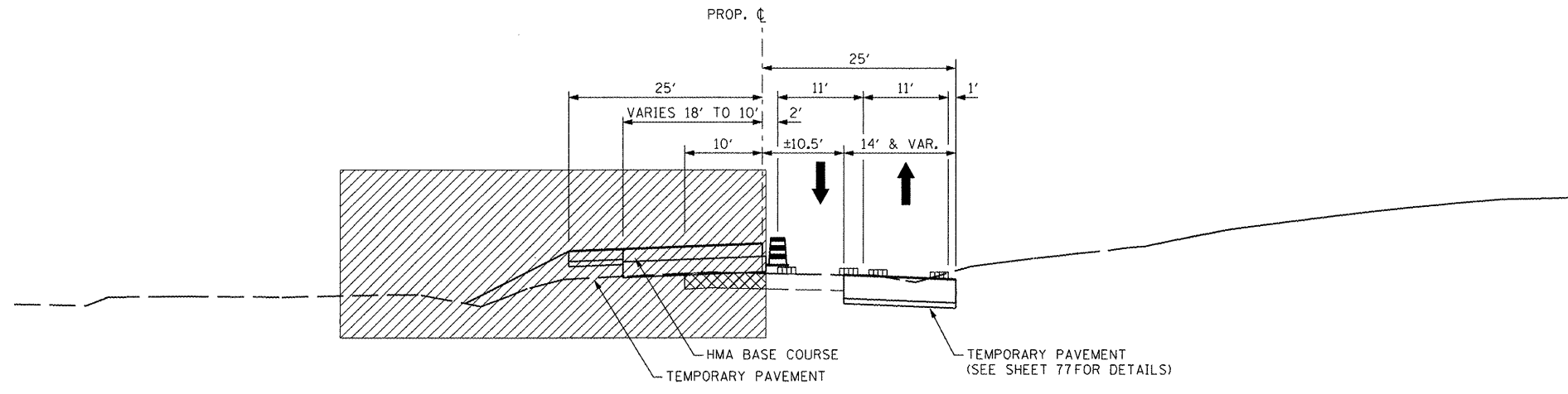
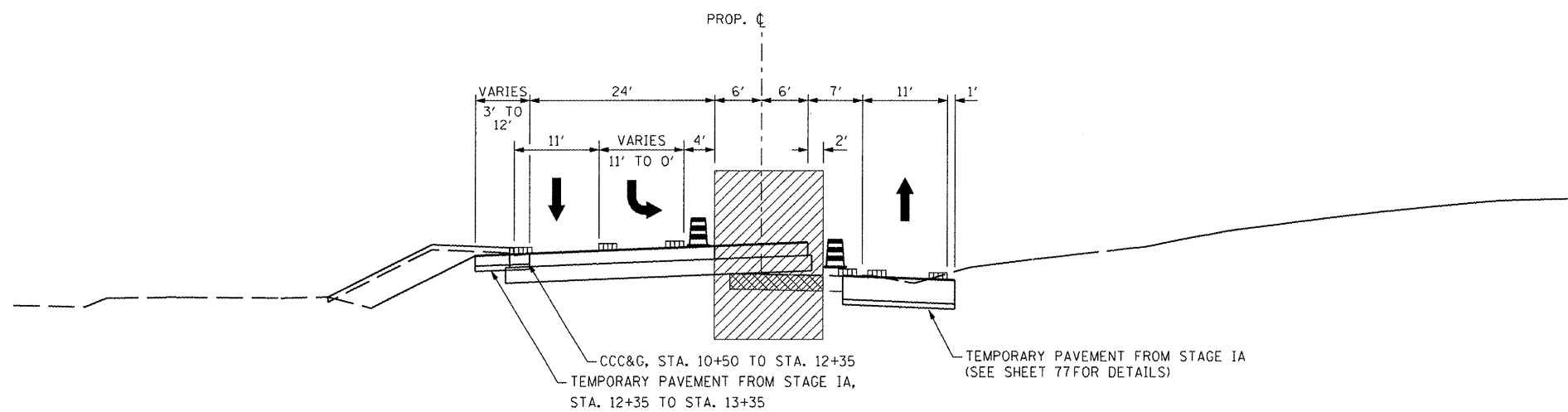


MAINTENANCE OF TRAFFIC TYPICAL SECTION - STAGE IA
STA. 10+50.00 TO STA. 13+35.00



MAINTENANCE OF TRAFFIC TYPICAL SECTION - STAGE IA
STA. 13+35.00 TO STA. 15+00.00



MAINTENANCE OF TRAFFIC TYPICAL SECTION - STAGE IB
STA. 10+50.00 TO STA. 13+35.00

- LEGEND**
- EXISTING PAVEMENT MARKING
 - TEMPORARY PAVEMENT MARKING
 - PROPOSED PAVEMENT MARKING
 - DRUM, WITH STEADY BURNING LIGHT
 - TEMPORARY CONCRETE BARRIER
 - CONSTRUCTION THIS STAGE
 - VERTICAL PANEL WITH STEADY BURNING LIGHT
 - EXISTING TRAFFIC LANE IN USE
 - TRAFFIC LANE

FILE NAME =
x:\projects\200803566\dgn\04-Rte8-sht-5

USER NAME = IDOT	DESIGNED -	REVISED -
Loging-Typ-NSchool-1.dgn	DRAWN -	REVISED -
PLOT SCALE = 20.624 FT / IN.	CHECKED -	REVISED -
PLOT DATE = 10/21/2011	DATE - 10-21-11	REVISED -

STATE OF ILLINOIS
DEPARTMENT OF TRANSPORTATION

NORTH SCHOOL STREET
MAINTENANCE OF TRAFFIC - TYPICAL SECTIONS - STAGE I

SCALE: AS SHOWN SHEET NO. OF SHEETS STA. TO STA.

F.A.P. RTE.	SECTION	COUNTY	TOTAL SHEETS	SHEET NO.
399	36 R-7	TAZEWELL	390	80
CONTRACT NO. 68370				
ILLINOIS FED. AID PROJECT				