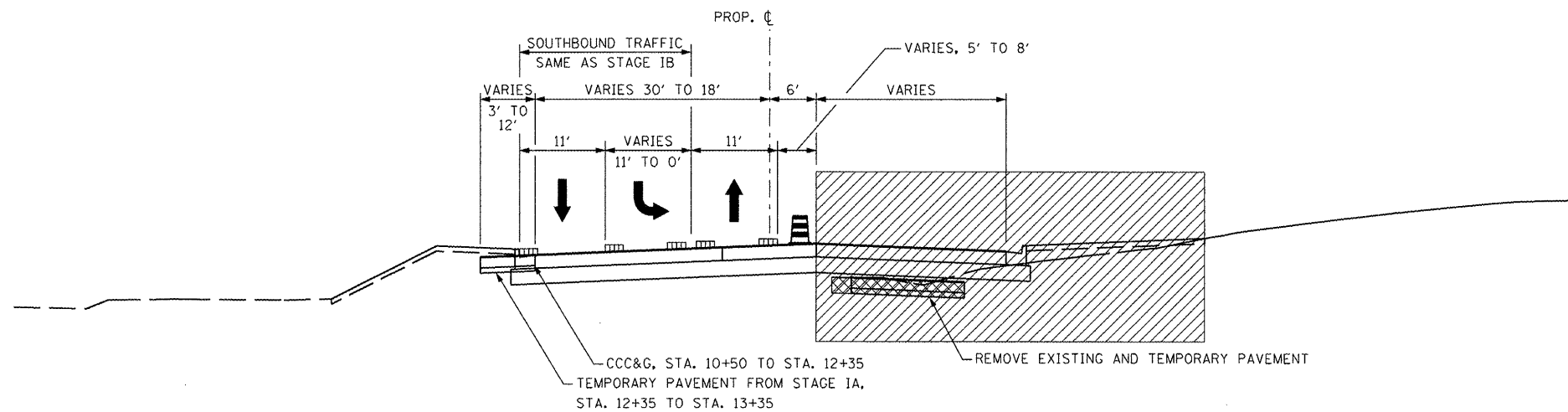
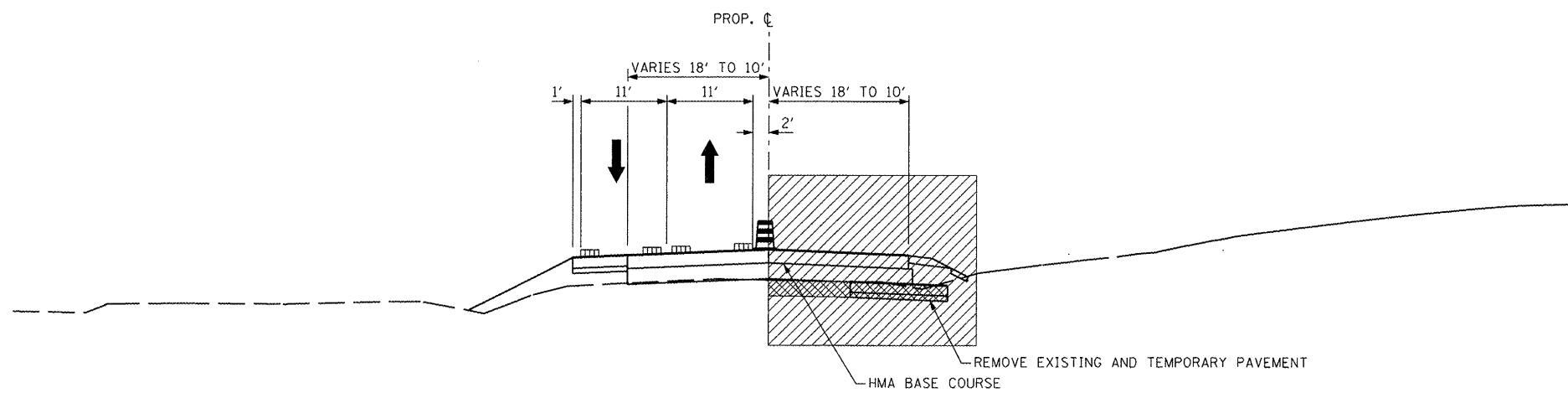


MAINTENANCE OF TRAFFIC TYPICAL SECTION - STAGE IB
 STA. 13+35.00 TO STA. 15+00.00



MAINTENANCE OF TRAFFIC TYPICAL SECTION - STAGE IC
 STA. 10+50.00 TO STA. 13+35.00



MAINTENANCE OF TRAFFIC TYPICAL SECTION - STAGE IC
 STA. 13+35.00 TO STA. 15+00.00

- LEGEND**
- EXISTING PAVEMENT MARKING
 - TEMPORARY PAVEMENT MARKING
 - PROPOSED PAVEMENT MARKING
 - DRUM, WITH STEADY BURNING LIGHT
 - TEMPORARY CONCRETE BARRIER
 - CONSTRUCTION THIS STAGE
 - VERTICAL PANEL WITH STEADY BURNING LIGHT
 - EXISTING TRAFFIC LANE IN USE
 - TRAFFIC LANE

FILE NAME : x:\projects\200803566\dgn\04-Rte8-sh-t-5	USER NAME = 100T	DESIGNED -	REVISED -	STATE OF ILLINOIS DEPARTMENT OF TRANSPORTATION	NORTH SCHOOL STREET MAINTENANCE OF TRAFFIC - TYPICAL SECTIONS - STAGE I			F.A.P. RTE.	SECTION	COUNTY	TOTAL SHEETS	SHEET NO.
	aging-Typ-NSchool-2.dgn	DRAWN -	REVISED -		399	36 R-7	TAZEWELL	390	81			
	PLOT SCALE = 20.624 FT / IN.	CHECKED -	REVISED -		CONTRACT NO. 68370							
	PLOT DATE = 10/21/2011	DATE = 10-21-11	REVISED -		ILLINOIS FED. AID PROJECT							
				SCALE: AS SHOWN			SHEET NO.	OF	SHEETS	STA.	TO STA.	