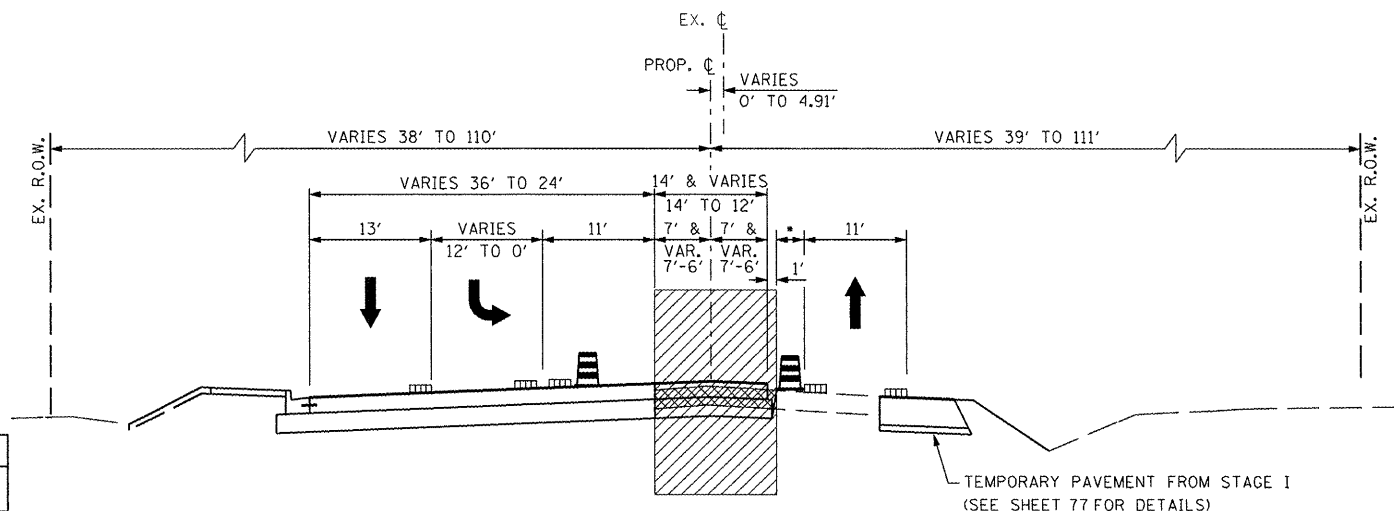
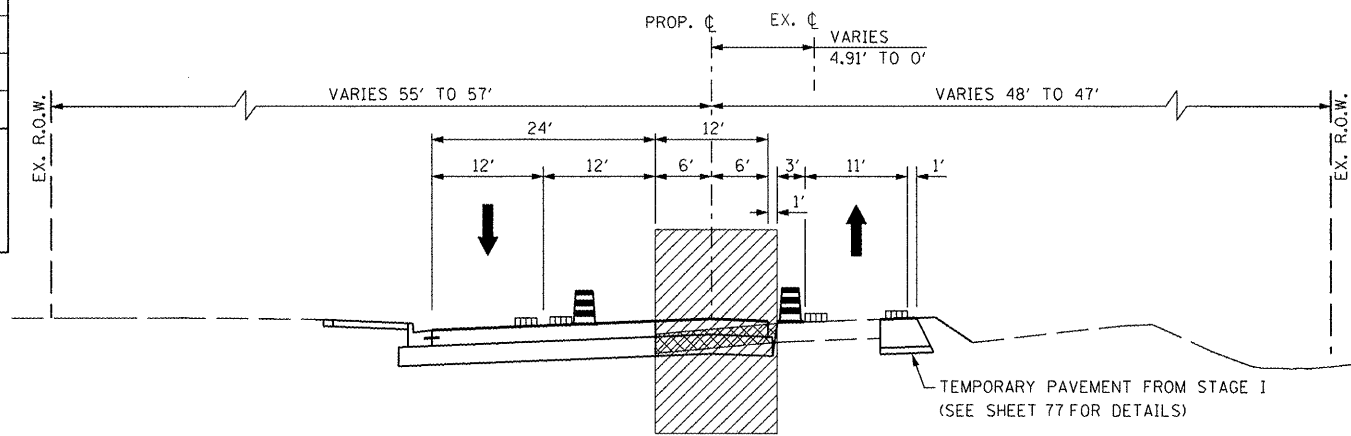


REMOVAL AND DISPOSAL OF UNSUITABLE MATERIAL *		
STATION RANGE	WIDTH	DEPTH BELOW SUB-GRADE
STA. 222+55.00 TO STA. 225+20.00	33.58' - 45.58' RT. TO 33.58' LT.	2.00'
STA. 238+10.00 TO STA. 240+27.00	33.58' RT. TO 33.58' LT.	2.00'
STA. 240+27.00 TO STA. 244+20.00	EX. LT. EOP TO 33.58' LT.	1.00'**
STA. 244+20.00 TO STA. 247+82.00	33.58' RT. TO 33.58' LT.	2.00'
STA. 247+82.00 TO STA. 253+72.00	EX. LT. EOP TO 33.58' LT.	0.67'**
STA. 253+72.00 TO STA. 259+77.00	33.58' RT. TO 33.58' LT.	2.00'**
STA. 259+77.00 TO STA. 260+95.00	41.17' RT. TO 41.17' LT.	2.00'

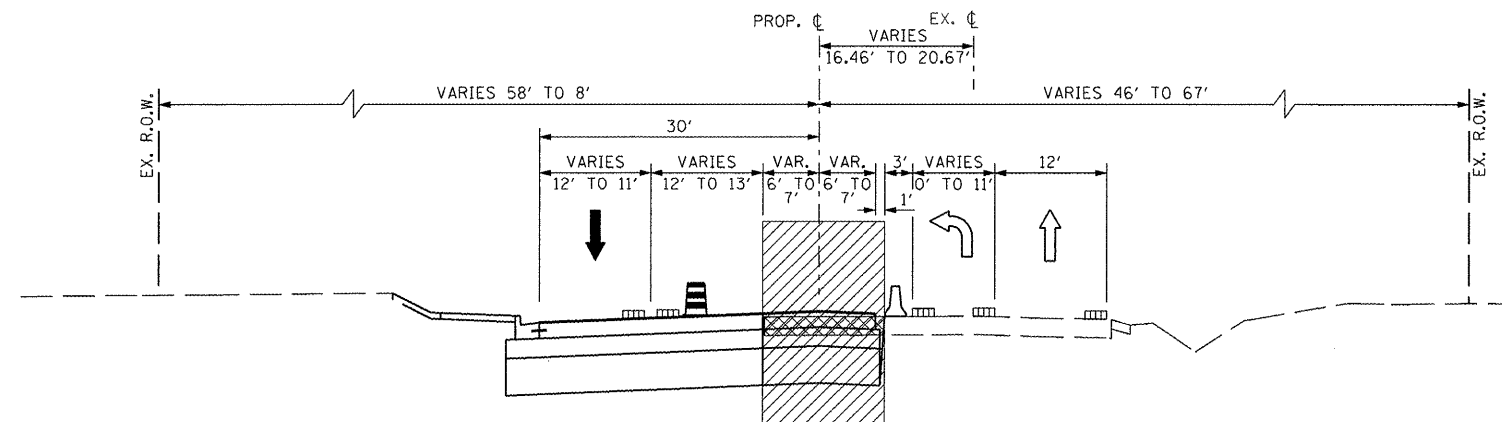
* ALL EXCAVATED MATERIAL FROM THE NATURAL GROUND SURFACE TO DEPTH BELOW SUBGRADE AS SHOWN IS UNSUITABLE AND IS TO BE WASTED OFF SITE, WITH THE EXCEPTION OF TOPSOIL EXCAVATION.
 ** UNDERCUT AREA TO BE REPLACED WITH APPROVED EMBANKMENT MATERIAL OR AS APPROVED BY THE ENGINEER.



MAINTENANCE OF TRAFFIC TYPICAL SECTION
 STA. 201+30.00 TO STA. 204+62.00



MAINTENANCE OF TRAFFIC TYPICAL SECTION
 STA. 204+62.00 TO STA. 222+00.00



MAINTENANCE OF TRAFFIC TYPICAL SECTION
 STA. 222+00.00 TO STA. 227+00.00

- LEGEND**
- ▨ EXISTING PAVEMENT MARKING
 - ▤ TEMPORARY PAVEMENT MARKING
 - ▧ PROPOSED PAVEMENT MARKING
 - ⊞ DRUM, WITH STEADY BURNING LIGHT
 - ⊞ TEMPORARY CONCRETE BARRIER
 - ▨ CONSTRUCTION THIS STAGE
 - ▨ VERTICAL PANEL WITH STEADY BURNING LIGHT
 - ⇄ EXISTING TRAFFIC LANE IN USE
 - ⇄ TRAFFIC LANE

FILE NAME =	USER NAME = IDOT	DESIGNED -	REVISED -
x:\projects\200803566\dgn\04-Rte8-shr-5	loging-Typ-2-1.dgn	DRAWN -	REVISED -
PLOT SCALE = 20.624 FT / IN.	CHECKED -	REVISED -	REVISED -
PLOT DATE = 10/21/2011	DATE = 10-21-11	REVISED -	REVISED -

**STATE OF ILLINOIS
 DEPARTMENT OF TRANSPORTATION**

**FAP 399 (IL RTE. 8)
 MAINTENANCE OF TRAFFIC - TYPICAL SECTIONS - STAGE II**

SCALE: AS SHOWN SHEET NO. OF SHEETS STA. TO STA.

F.A.P. RTE.	SECTION	COUNTY	TOTAL SHEETS	SHEET NO.
399	36 R-7	TAZEWELL	390	83
CONTRACT NO. 68370			ILLINOIS FED. AID PROJECT	