
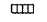



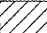


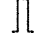
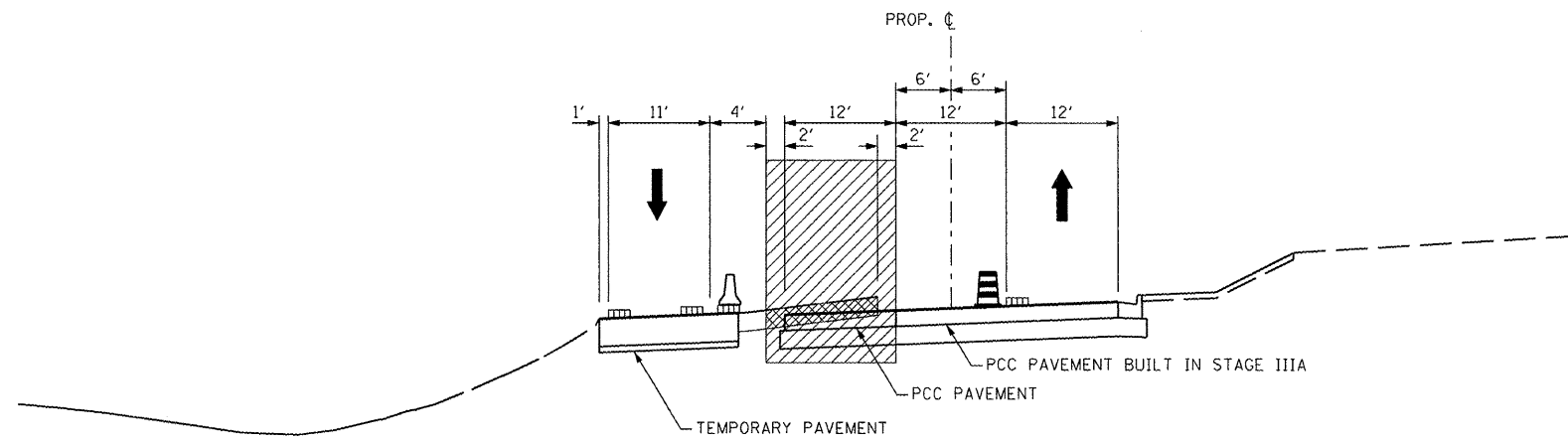
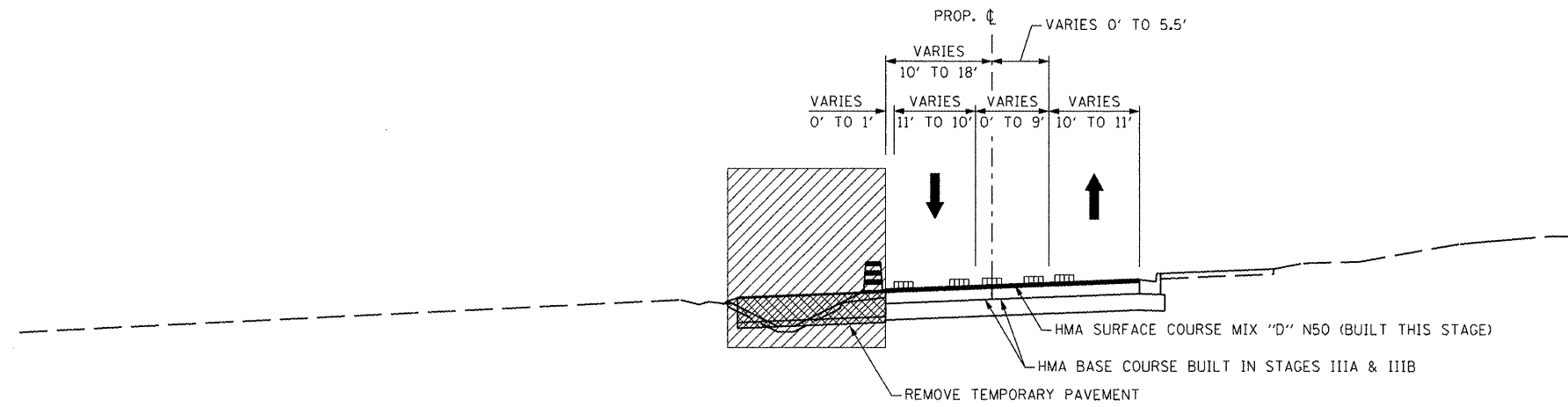


LEGEND

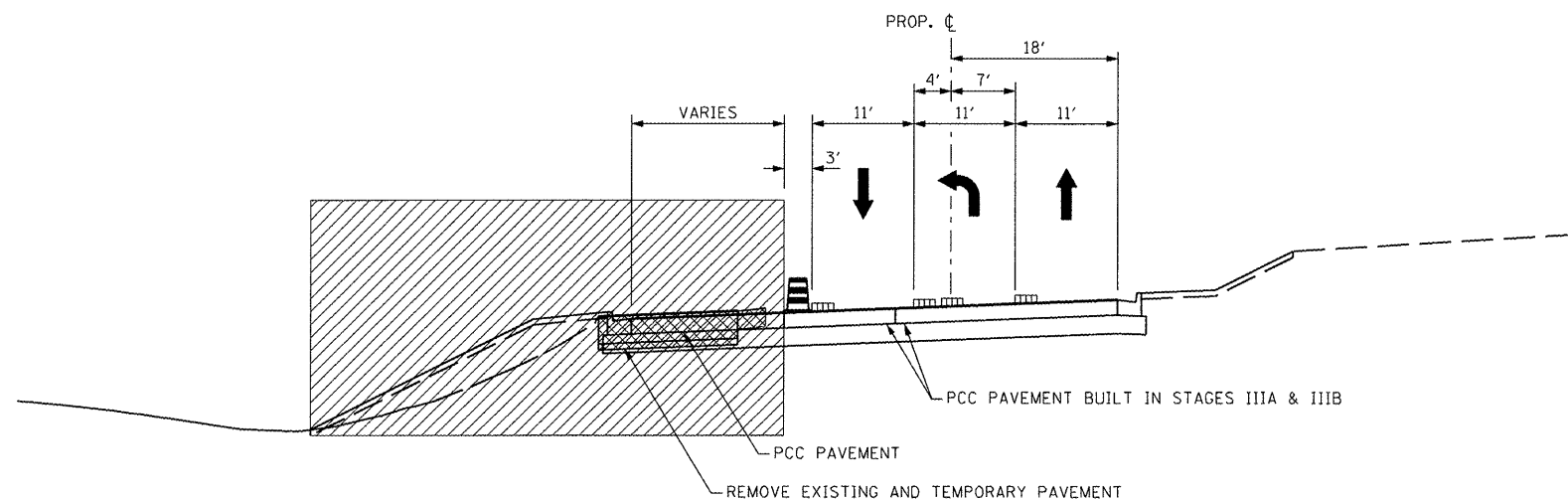
-  EXISTING PAVEMENT MARKING
-  TEMPORARY PAVEMENT MARKING
-  PROPOSED PAVEMENT MARKING
-  DRUM, WITH STEADY BURNING LIGHT
-  TEMPORARY CONCRETE BARRIER
-  CONSTRUCTION THIS STAGE
-  VERTICAL PANEL WITH STEADY BURNING LIGHT
-  EXISTING TRAFFIC LANE IN USE
-  TRAFFIC LANE



MAINTENANCE OF TRAFFIC TYPICAL SECTION – STAGE IIIB
STA. 7+59.70 TO STA. 9+60.00



MAINTENANCE OF TRAFFIC TYPICAL SECTION – STAGE IIIC
STA. 5+05.00 TO STA. 7+59.70



MAINTENANCE OF TRAFFIC TYPICAL SECTION – STAGE IIIC
STA. 7+59.70 TO STA. 9+60.00

FILE NAME = x:\projects\200803566\dgn\04-Rte8-shr-S	USER NAME = IDOT aging-Typ-SSchool-2.dgn	DESIGNED - DRAWN -	REVISED - REVISED -
	PLOT SCALE = 20.624 FT / IN.	CHECKED -	REVISED -
	PLOT DATE = 10/21/2011	DATE = 10-21-11	REVISED -

**STATE OF ILLINOIS
DEPARTMENT OF TRANSPORTATION**

**SOUTH SCHOOL STREET
MAINTENANCE OF TRAFFIC – TYPICAL SECTIONS – STAGE III**

SCALE: AS SHOWN SHEET NO. OF SHEETS STA. TO STA.

F.A.P. RTE.	SECTION	COUNTY	TOTAL SHEETS	SHEET NO.
399	36 R-7	TAZEWELL	390	89
CONTRACT NO. 68370				
ILLINOIS FED. AID PROJECT				