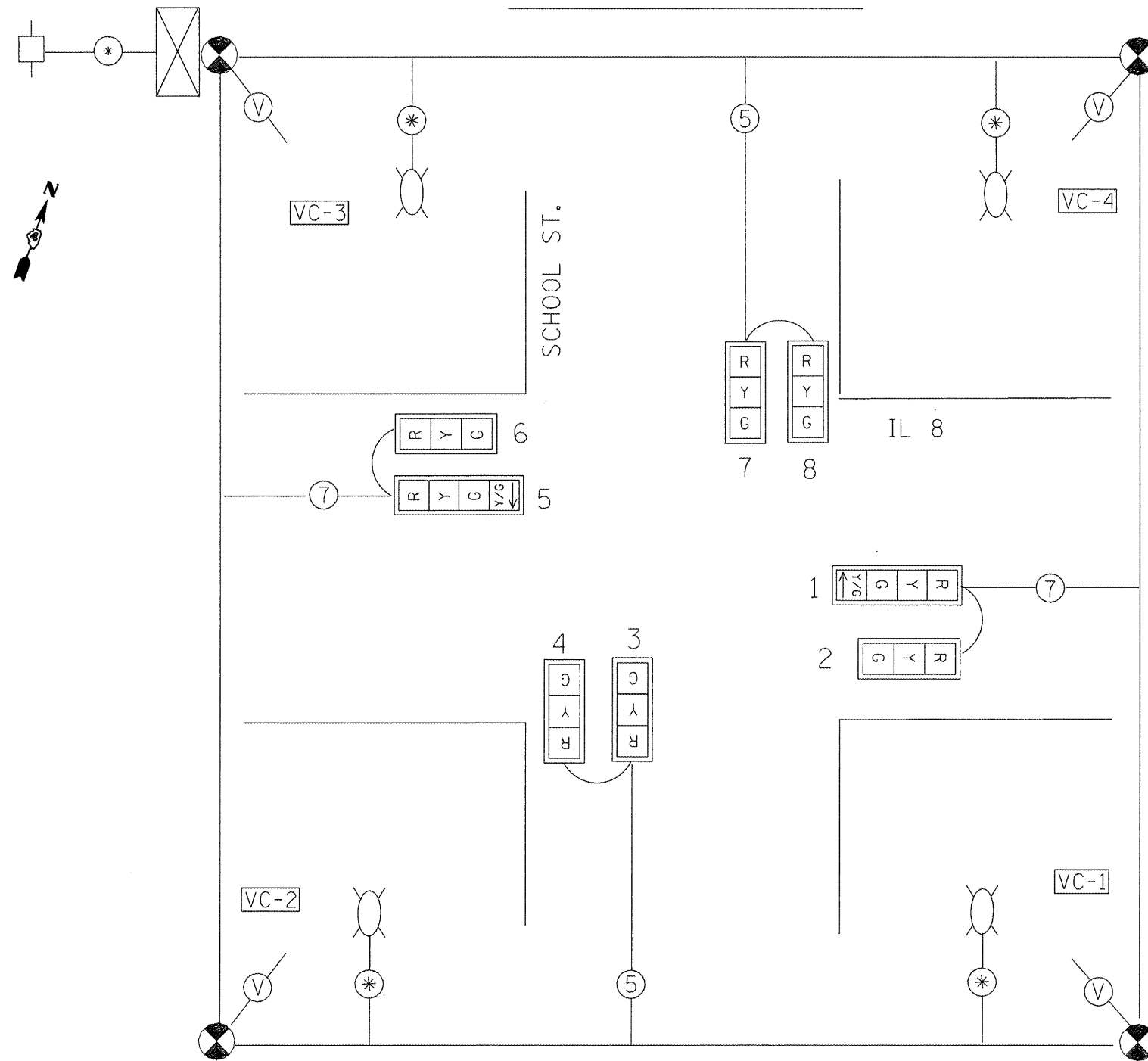
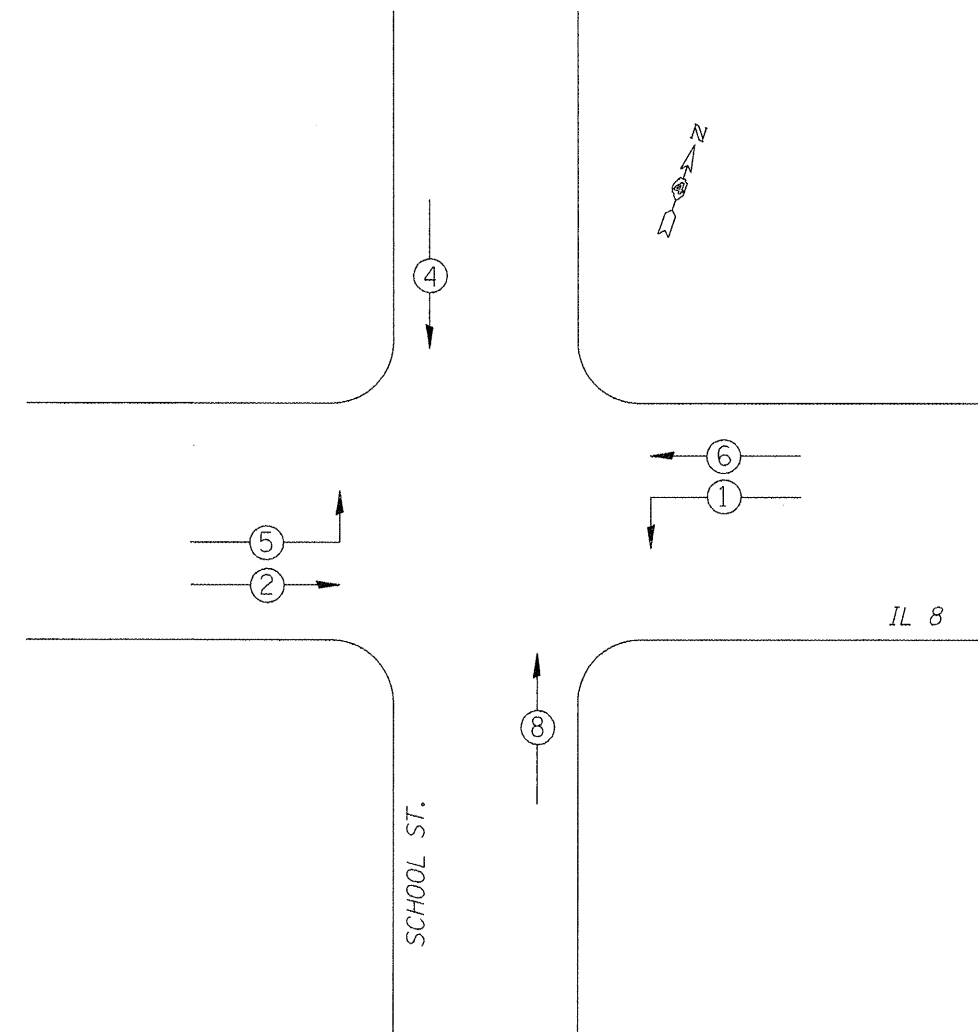


TEMPORARY CABLE DIAGRAM



TEMPORARY PHASE DIAGRAM

NAME OF INTERSECTION IL 8 & SCHOOL ST.
 EXISTING CONTROLLER: FULL ACTUATED CONTROLLER
 (TS-2), TYPE IV CABINET, TS-1 BACKPANEL (12 POS.)



TRAFFIC SIGNALS LEGEND

- | | | | | | |
|--|-------------------------------|--|-------------------------------|--|---|
| | TEMP. CONTROLLER (SIGNAL) | | TEMP. 5/C NO. 14 SIGNAL CABLE | | TEMP. SERVICE INSTALLATION |
| | TEMP. SIGNAL HEAD W/BACKPLATE | | TEMP. 7/C NO. 14 SIGNAL CABLE | | TEMP. VIDEO DETECTION CAMERA |
| | TEMP. SIGNAL HEAD | | TEMP. VIDEO DETECTION CABLE | | TEMP. LUMINAIRE (PC CONTROL)
250W HPS, MULTI-MOUNT |
| | | | TEMP. CABLE (1/C NO. 6) X 3 | | |

FILE NAME =
 X:\Projects\200803566\DCN\D4-Rte8-sht-T

USER NAME = IDOT
 School.dgn
 PLOT SCALE = 77.341 FT / IN.
 PLOT DATE = 10/21/2011

DESIGNED - LDC
 DRAWN - MBB
 CHECKED - LDC
 DATE -

REVISED -
 REVISED -
 REVISED -
 REVISED -

STATE OF ILLINOIS
 DEPARTMENT OF TRANSPORTATION

FAP 399 (IL RTE. 8 AND SCHOOL STREET)
 TEMPORARY TRAFFIC SIGNAL CABLE PLAN AND PHASE DIAGRAM
 SCALE: 1"=20' SHEET NO. 4 OF 7 SHEETS STA. TO STA.

F.A.P. RTE.	SECTION	COUNTY	TOTAL SHEETS	SHEET NO.
399	36 R-7	TAZEWELL	390	258
CONTRACT NO. 68370			ILLINOIS FED. AID PROJECT	