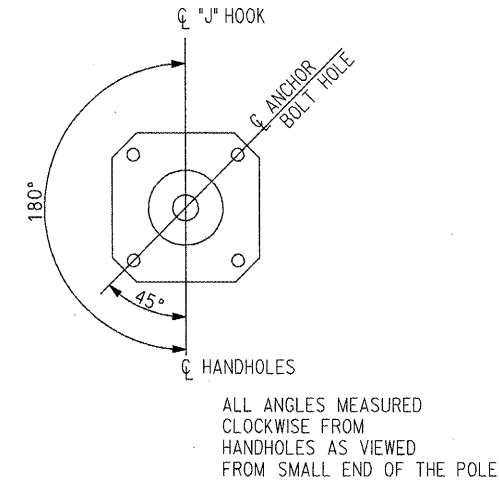
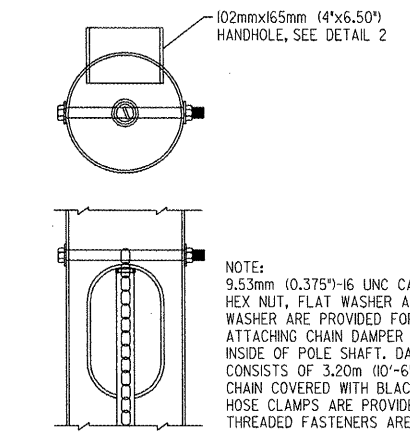
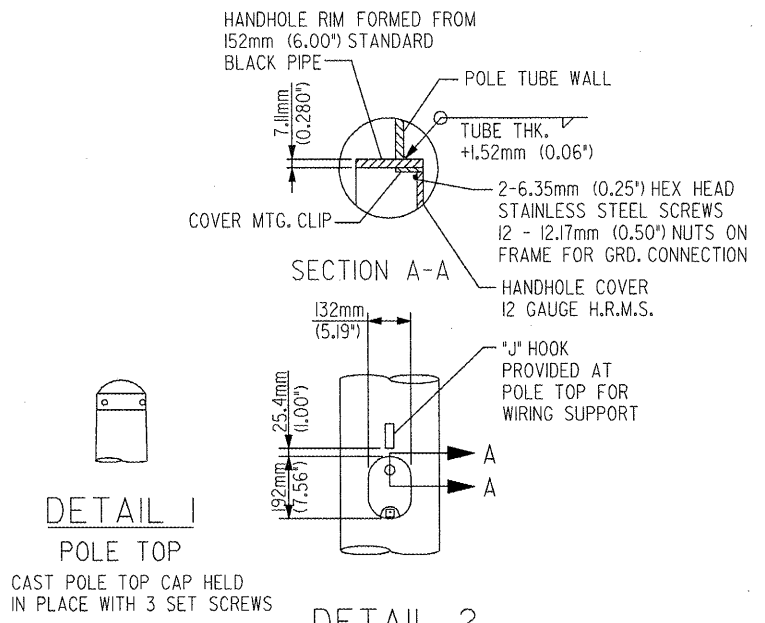
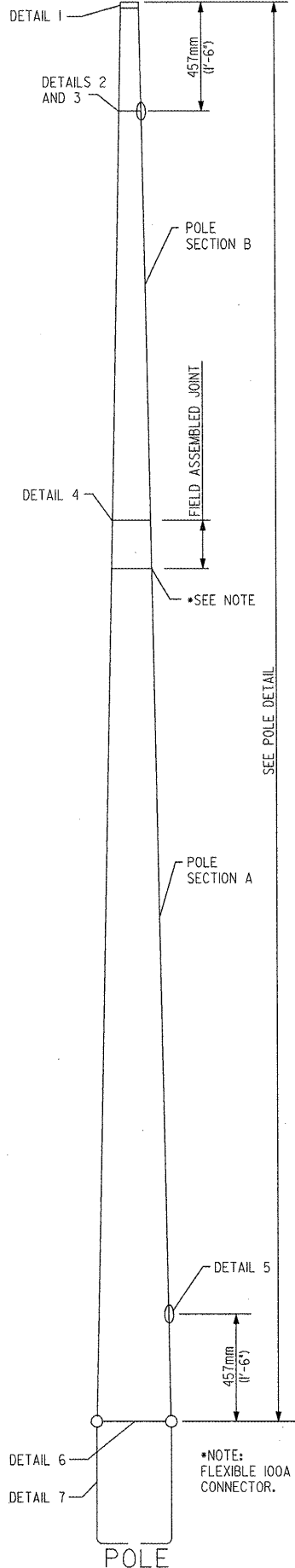
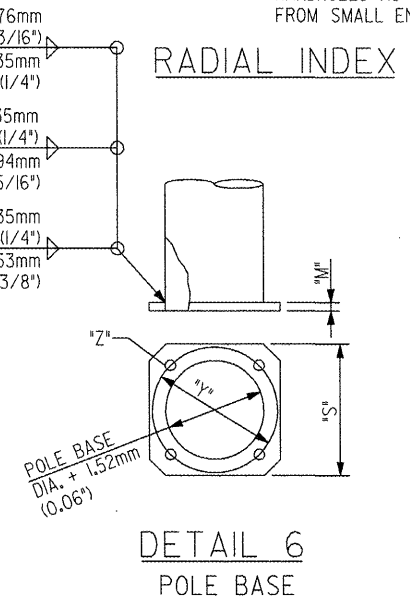
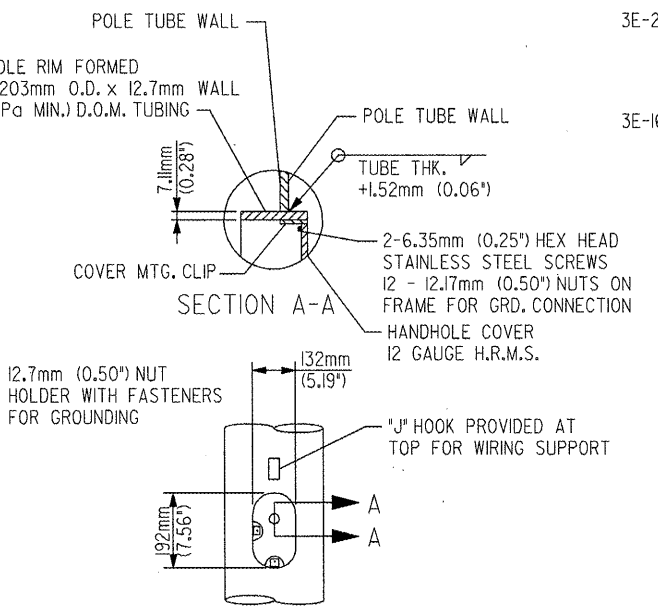
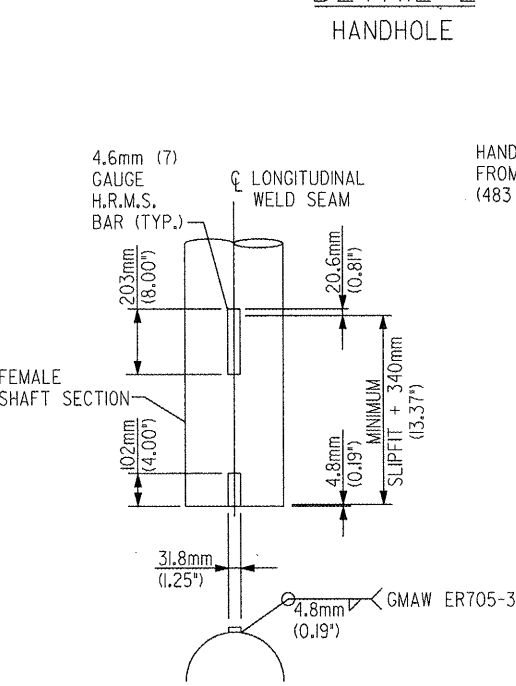


APPROVED CAMERA POLE DRAWING:
VALMONT, DRAWING NUMBER IL122179PI



NOTES:
1. DESIGN SHALL BE IN ACCORDANCE WITH THE STANDARD SPECIFICATIONS FOR STRUCTURAL SUPPORTS FOR HIGHWAY SIGNS, LUMINAIRES AND TRAFFIC SIGNALS FOR 90 MPH WIND LOAD AND THE STANDARD SPECIFICATIONS FOR ROAD AND BRIDGE CONSTRUCTION, JANUARY 1, 2002.
2. THE EXPOSED LENGTH OF THE ANCHOR BOLT BETWEEN THE TOP OF THE FOUNDATION AND THE BOTTOM OF THE LEVELING NUT SHOULD NOT EXCEED ONE BOLT DIAMETER.



POLE DATA																
ITEM	QTY.	MOUNTING HEIGHT m (ft)	SEC.	POLE TUBE				POLE BASE				ANCHOR BOLT				
				BASE DIA. mm (in)	LENGTH m (ft)	TOP DIA. mm (in)	THICK OR GAUGE mm (in/no.)	MIN. SLIP mm (in)	SQUARE "S" mm (in)	BOLT CIRCLE "Y" mm (in)	THK "M" mm (in)	SLOT "Z" mm (in)	DIA. "K" mm (in)	LENGTH "J" mm (in)	HOOK "H" mm (in)	THREAD LENGTH "U" mm (in)
1	1	13.72 (45.00)	A	330 (13.00)	13.72 (45.00)	170 (6.70)	6.07 (.24)	N.A.	457 (18.00)	432 (17.00)	38 (1.50)	44x62 (1.75x2.44)	38 (1.50)	1372 (54.00)	152 (6.00)	203 (8.00)
2	1	16.76 (55.00)	A	406 (16.00)	10.27 (33.70)	287 (11.28)	4.8 (.1875)	443 (17.45)	622 (24.50)	597 (23.50)	38 (1.50)	44x62 (1.75x2.44)	38 (1.50)	1372 (54.00)	152 (6.00)	203 (8.00)
			B	305 (12.00)	7.27 (23.87)	220 (8.66)	4.55 (.18)									

MATERIAL DATA		
COMPONENT	ASTM DESIGNATION	MIN. YIELD MPa (ksi)
SHAFTS OVER 330mm (13.00") DIA.	A572 GR. 65	448 (65)
SHAFTS TO 330mm (13.00") DIA.	A595 GR. A	379 (55)
ANCHOR BOLTS	F1554 GR55	379 (55)
BASE PLATE	A36	248 (36)
GALVANIZING	Al23 & Al53	
FLAT WASHERS	F436	

*METRIC EQUAL

MATERIAL DATA		
COMPONENT	ASTM DESIGNATION	MIN. YIELD MPa (ksi)
ANCHOR BOLT NUTS	A563 GR. A	
H. H. COVER	C1010 STEEL	
H. H. FRAME	A36	248 (36)
POLE TOP	B26	

*METRIC EQUAL