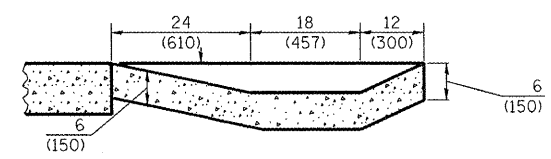
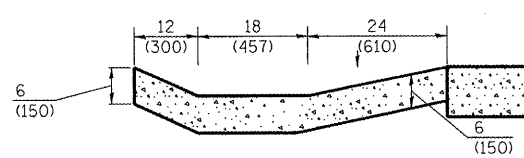


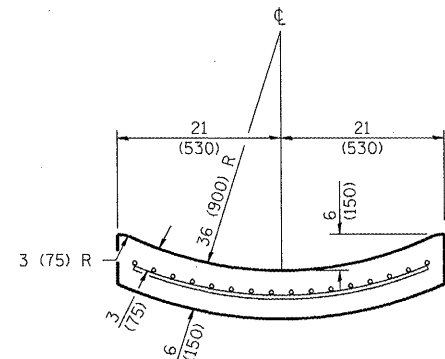
SECTION A-A



SECTION C-C

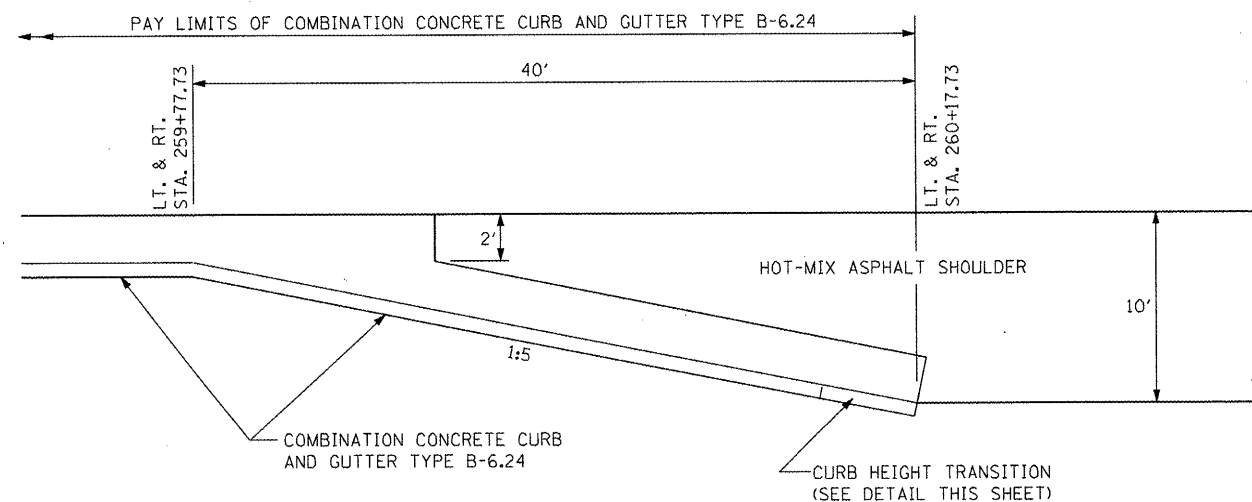


SECTION B-B

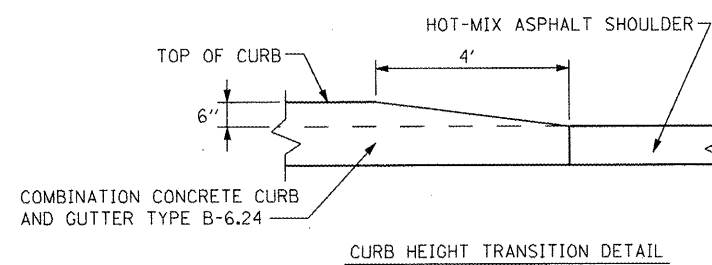


SECTION D-D

DETAIL - GUTTER OUTLET DETAIL AT LEGION ROAD



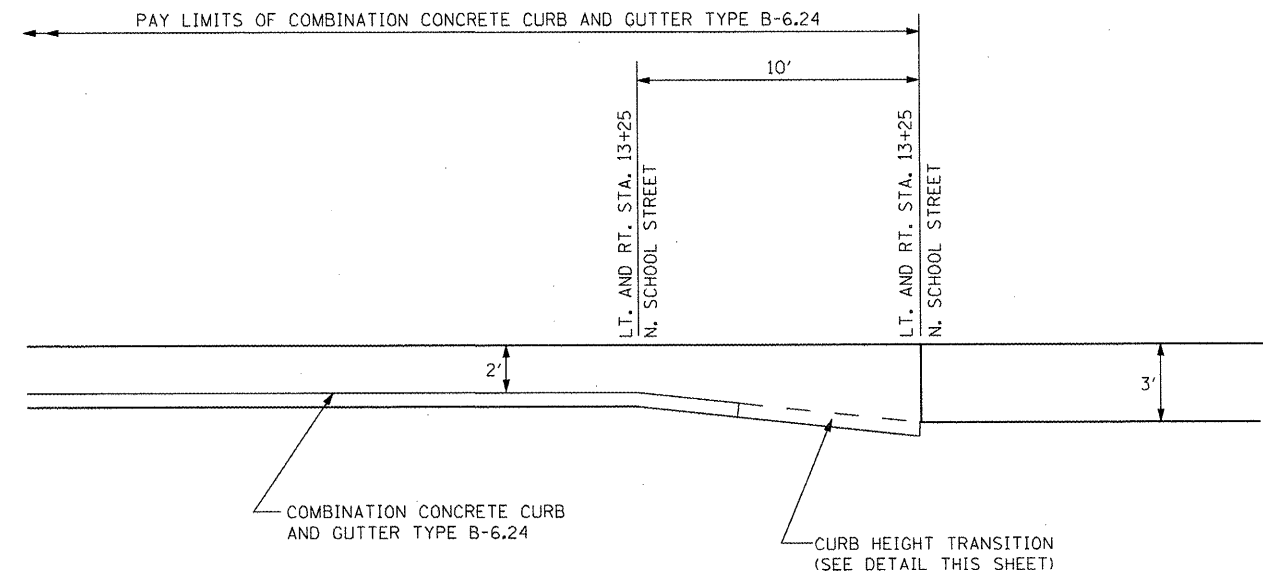
PLAN



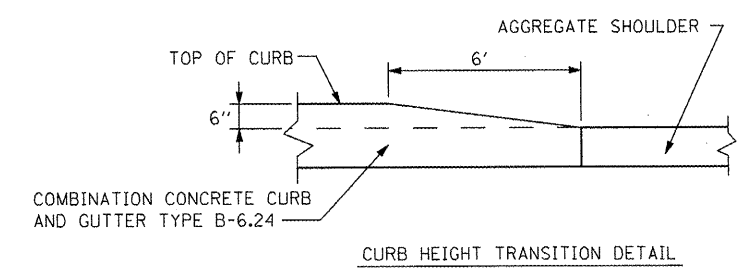
CURB HEIGHT TRANSITION DETAIL

DETAIL - CURB TRANSITION LT. AND RT. STA. 259+77.73 IL. RTE. 8

NOT TO SCALE



PLAN



CURB HEIGHT TRANSITION DETAIL

DETAIL - CURB TRANSITION LT. AND RT. STA. 13+25 N. SCHOOL STREET

NOT TO SCALE

FILE NAME =	USER NAME = IDOT
x:\projects\200803566\dgn\04-Rte8-shr-D	L-01 CURB TRANSITION.dgn
PLOT SCALE = 2.0001' / IN.	PLOT DATE = 10/21/2011

DESIGNED -	REVISED -
DRAWN -	REVISED -
CHECKED -	REVISED -
DATE - 10-21-11	REVISED -

**STATE OF ILLINOIS
DEPARTMENT OF TRANSPORTATION**

FAP 399 (IL. RTE. 8)			
DETAIL - CURB TRANSITION			
DETAIL - GUTTER OUTLET AT LEGION ROAD			
SCALE:	SHEET NO.	OF SHEETS	STA. TO STA.

F.A. RTE.	SECTION	COUNTY	TOTAL SHEETS	SHEET NO.
399	36 R-7	TAZEWELL	390	275
			CONTRACT NO. 68370	
ILLINOIS FED. AID PROJECT				