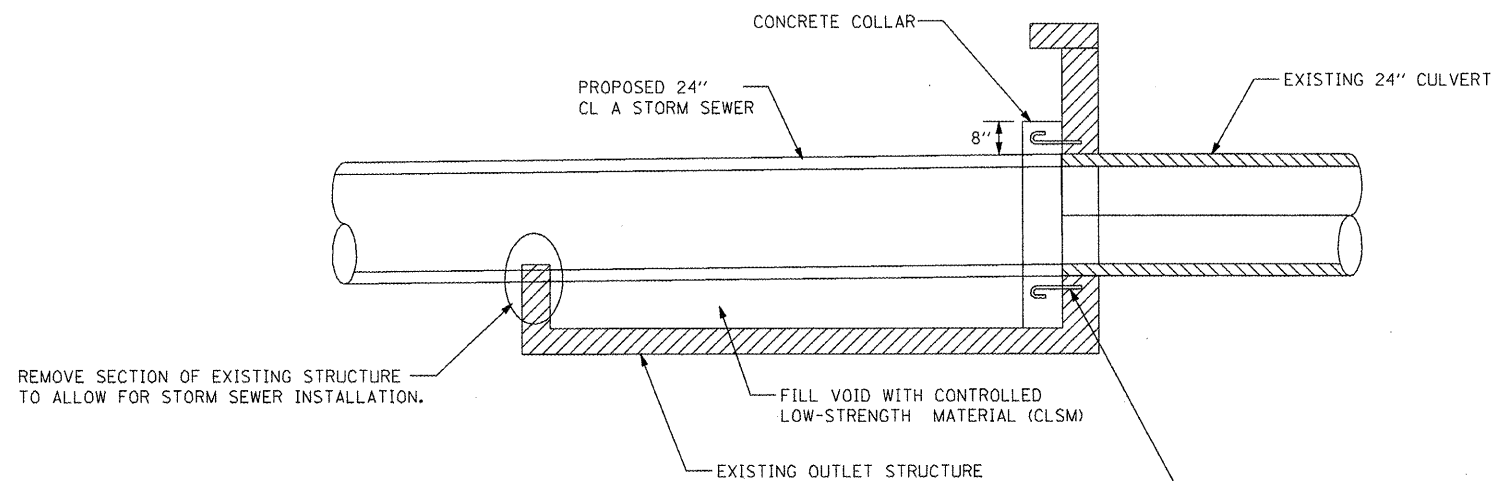
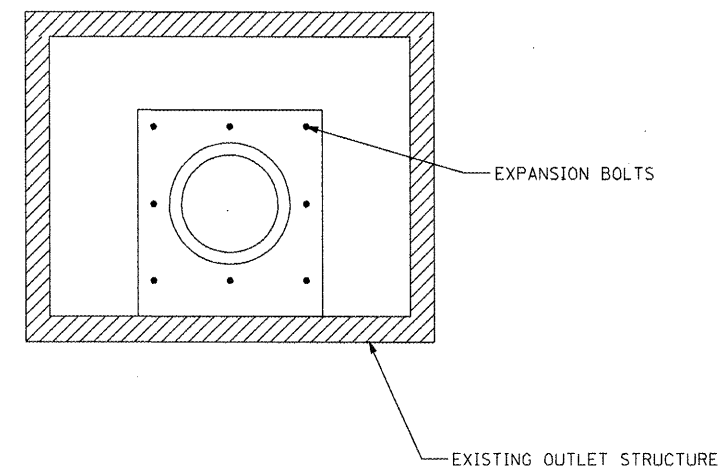


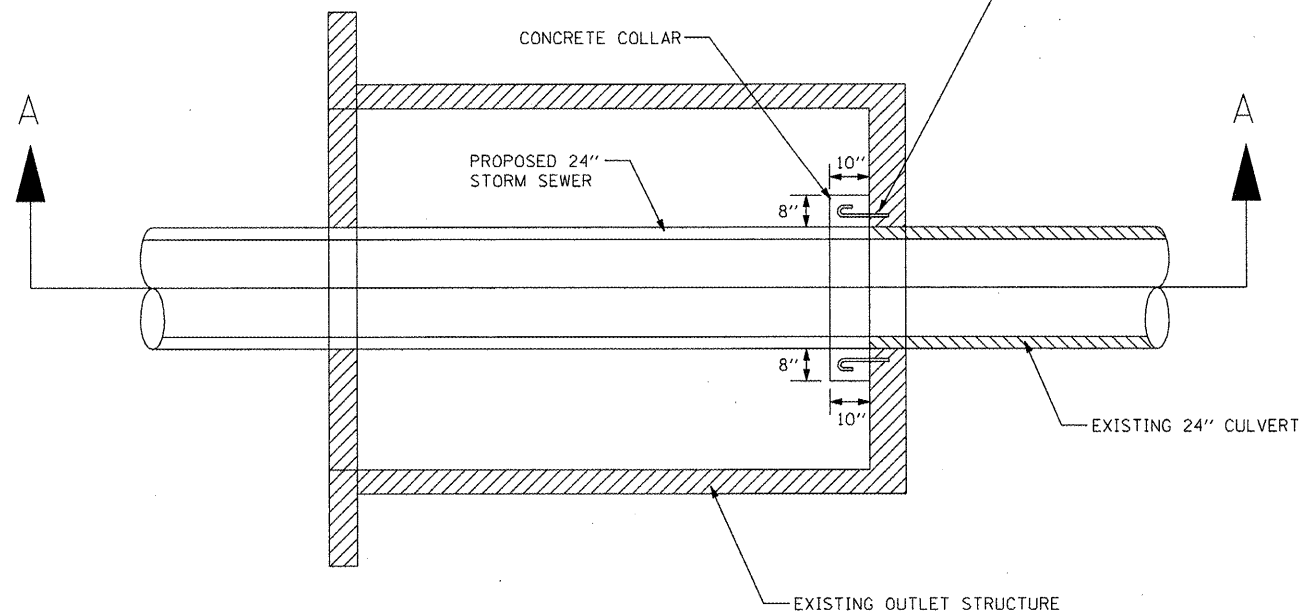
ELEVATION VIEW (A-A)



END VIEW



PLAN VIEW



GENERAL NOTES

1. THE COLLAR SHALL BE CONSTRUCTION ENTIRELY OF CLASS "SI" CONCRETE AND IN ACCORDANCE WITH THE APPLICABLE PORTIONS OF SECTION 503 SECTION 1020 OF THE STANDARD SPECIFICATIONS.
2. EXPANSION BOLTS SHALL CONSIST OF APPROVED EXPANSION ANCHORS, PROVIDING MINIMUM 3/4" Ø HOOK BOLTS. THESE BOLTS SHALL EXTEND AT LEAST 8 INCHES INTO THE NEW CONCRETE.
3. ALL WORK SHOWN ON THIS SHEET SHALL BE CONSIDERED TO BE INCLUDED IN PROPOSED STORM SEWER CONNECTION TO EXISTING CULVERT.

DETAIL
PROPOSED STORM SEWER CONNECTION TO EXISTING CULVERT

FILE NAME = x:\projects\28883566\dgn\04-RtoB-sht-D	USER NAME = IDOT L-07 DRAIN_SSconnection.dgn	DESIGNED - DRAWN -	REVISED - REVISED -	STATE OF ILLINOIS DEPARTMENT OF TRANSPORTATION	DRAINAGE DETAILS PROPOSED STORM SEWER CONNECTION TO EXISTING CULVERT				F.A.P. RTE. 399	SECTION 36 R-7	COUNTY TAZEWELL	TOTAL SHEETS 390	SHEET NO. 280
PLOT SCALE = 40.00' / IN.		CHECKED -	REVISED -		SCALE: AS SHOWN	SHEET NO.	OF SHEETS	STA.	TO STA.	CONTRACT NO. 68370			
PLOT DATE = 10/21/2011		DATE -	REVISED -		ILLINOIS FED. AID PROJECT								