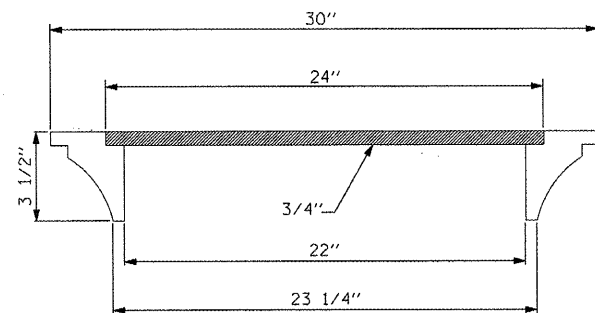
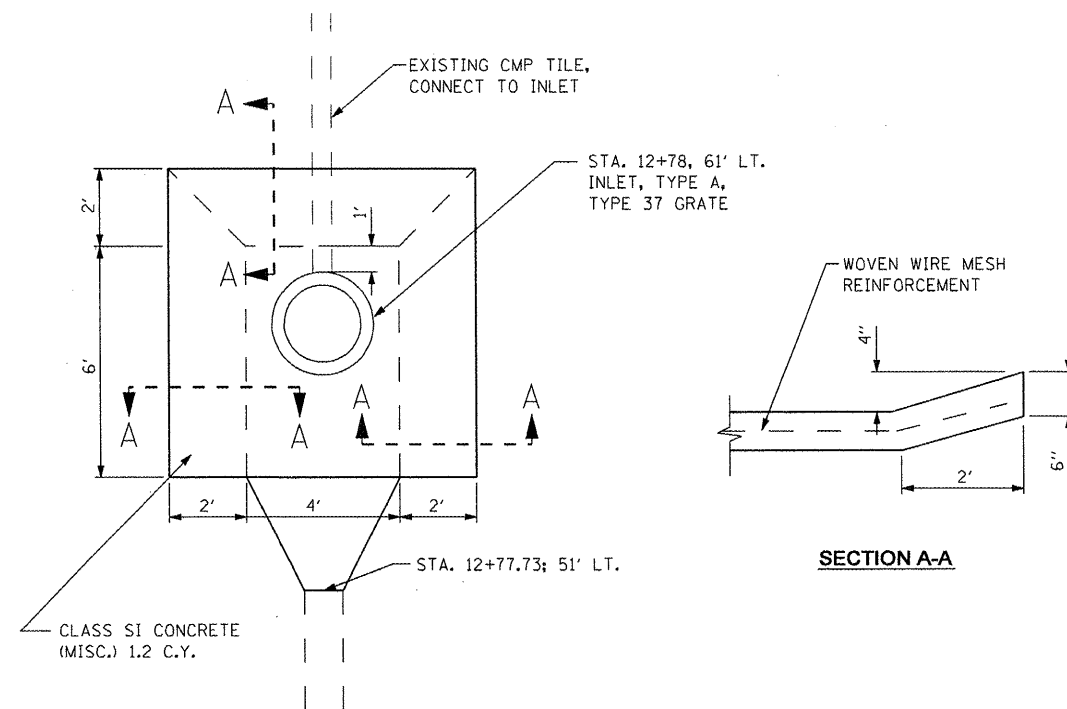


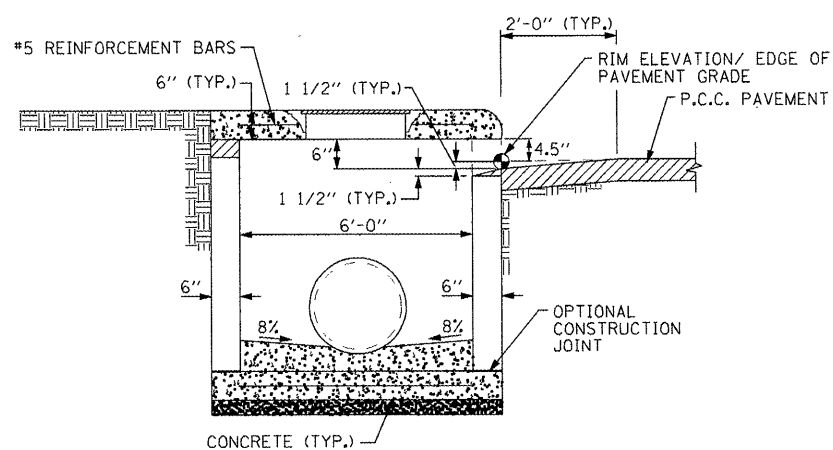
TOP VIEW
SCALE: N.T.S.



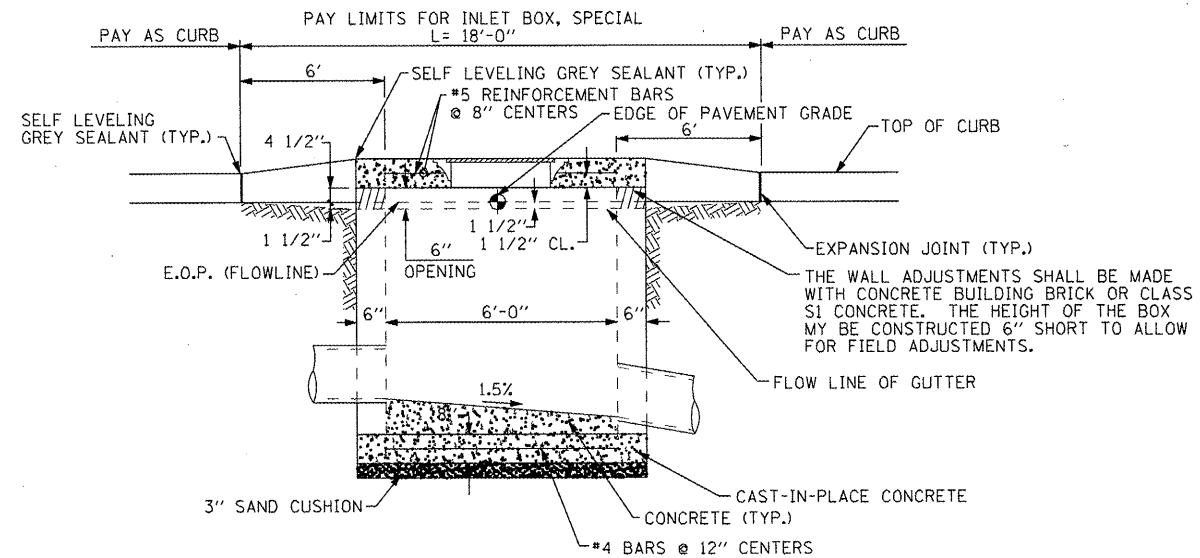
TYPE 5 MODIFIED FRAME, CLOSED LID
SCALE: N.T.S.



DETAIL DRAINAGE STRUCTURE
SCHOOL STREET STA. 12+78



SECTION A-A
SCALE: N.T.S.



FRONT VIEW
SCALE: N.T.S.

DETAIL INLET BOX, SPECIAL

FILE NAME =	USER NAME = IDOT	DESIGNED -	REVISED -
x:\projects\200803566\dgn\04-Rte8-sht-D	L-08 DRAIN_inletbox.dgn	DRAWN -	REVISED -
	PLOT SCALE = 40.00' / IN.	CHECKED -	REVISED -
	PLOT DATE = 10/21/2011	DATE -	REVISED -

STATE OF ILLINOIS
DEPARTMENT OF TRANSPORTATION

DRAINAGE DETAILS
INLET BOX, SPECIAL AND DRAINAGE STRUCTURE

SCALE: AS SHOWN SHEET NO. OF SHEETS STA. TO STA.

F.A.P. RTE.	SECTION	COUNTY	TOTAL SHEETS	SHEET NO.
399	36 R-7	TAZEWELL	390	281
CONTRACT NO. 68370				
ILLINOIS FED. AID PROJECT				