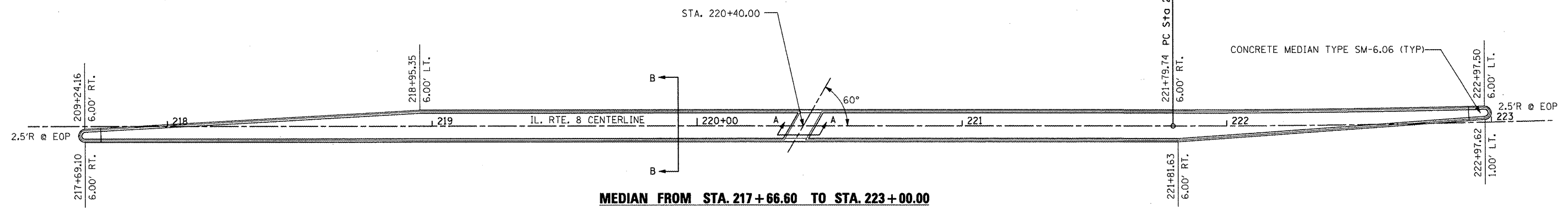
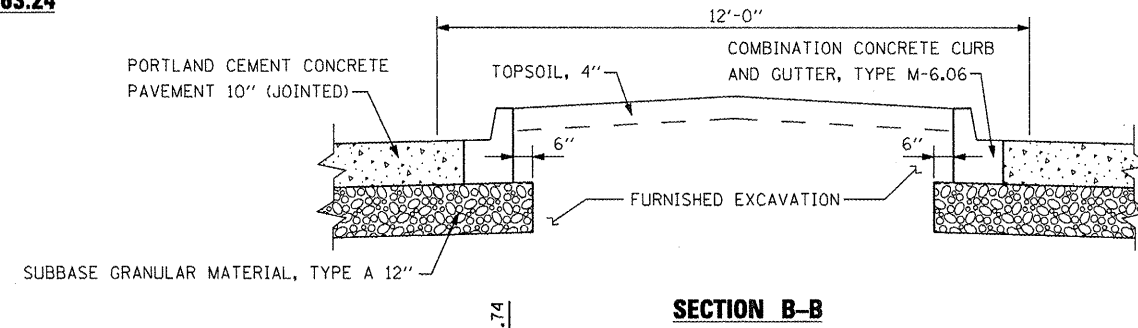
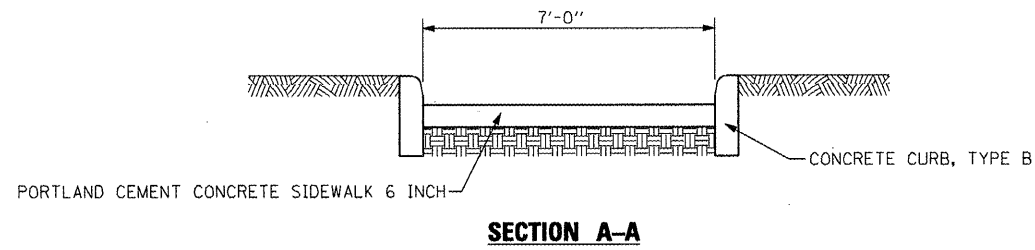
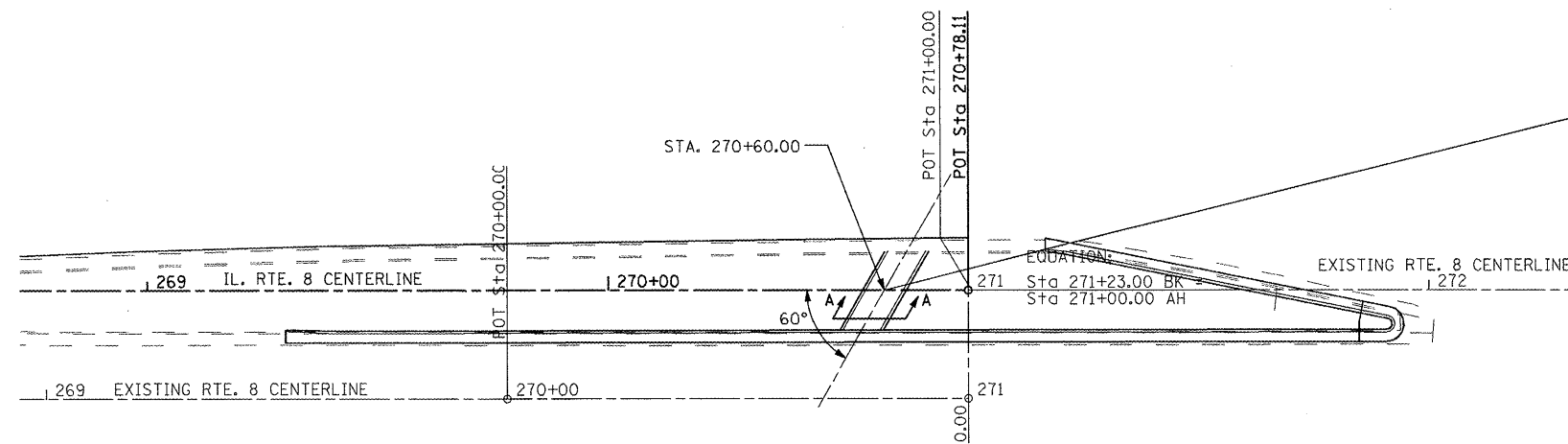


MEDIAN FROM STA. 207+94.46 TO STA. 211+63.24



MEDIAN FROM STA. 217+66.60 TO STA. 223+00.00



PEDESTRIAN CROSSWALK AT STA. 270+60.00

FILE NAME =	USER NAME = IDOT	DESIGNED -	REVISED -
x:\projects\200803566\dgn\04-Rte8-sh-t-D	L-09 PEDXWALK.dgn	DRAWN -	REVISED -
	PLOT SCALE = 40.003636 FT / IN.	CHECKED -	REVISED -
	PLOT DATE = 10/21/2011	DATE - 10-21-11	REVISED -

**STATE OF ILLINOIS
DEPARTMENT OF TRANSPORTATION**

**FAP 399 (IL. RTE. 8)
PEDESTRIAN CROSSWALK DETAILS**

SCALE: AS SHOWN SHEET NO. OF SHEETS STA. 200+00.00 TO STA. 206+00.00

F.A.P. RTE.	SECTION	COUNTY	TOTAL SHEETS	SHEET NO.
399	36 R-7	TAZEWELL	390	282
CONTRACT NO. 68370			ILLINOIS FED. AID PROJECT	