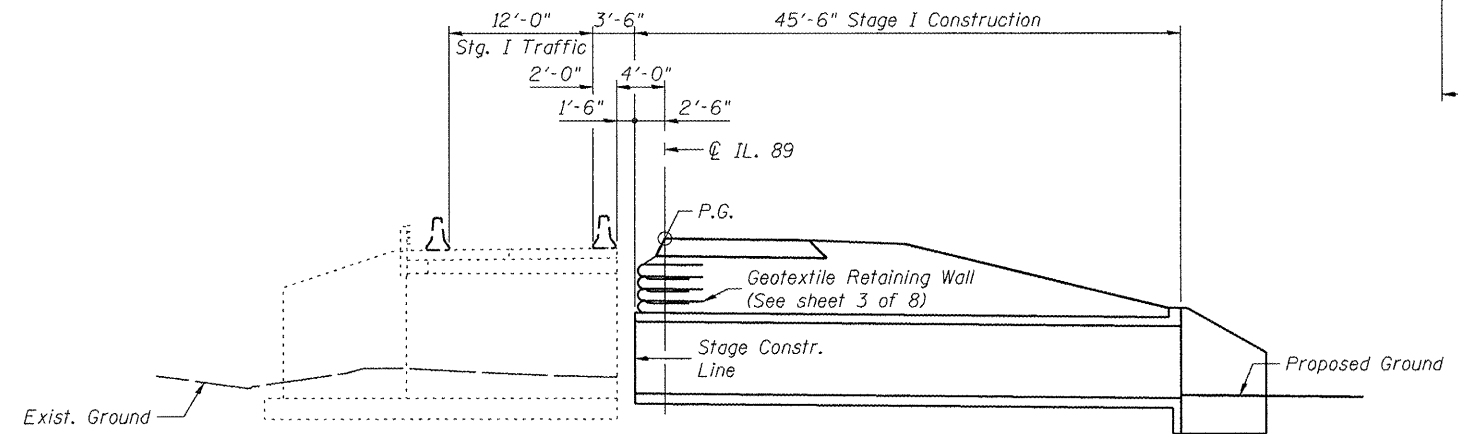
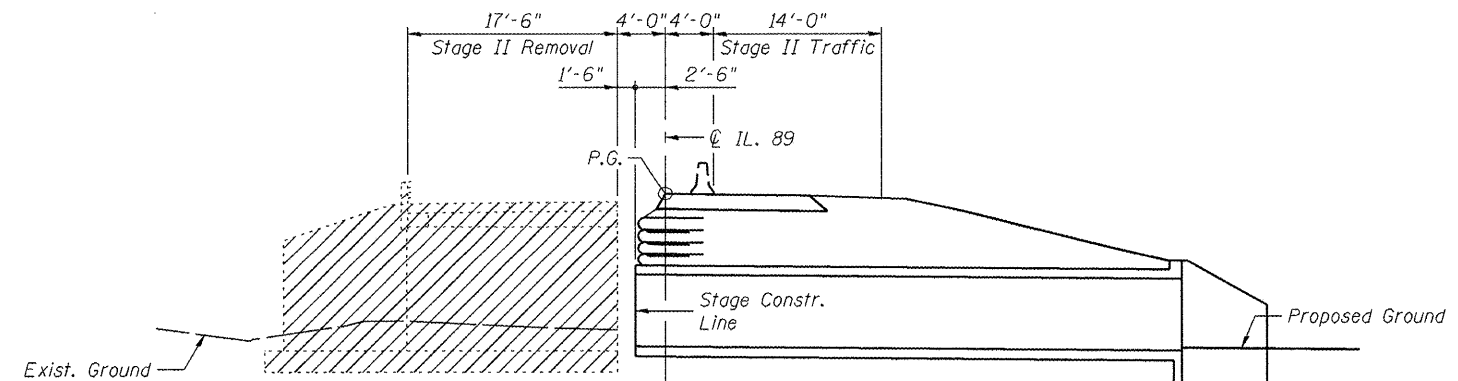


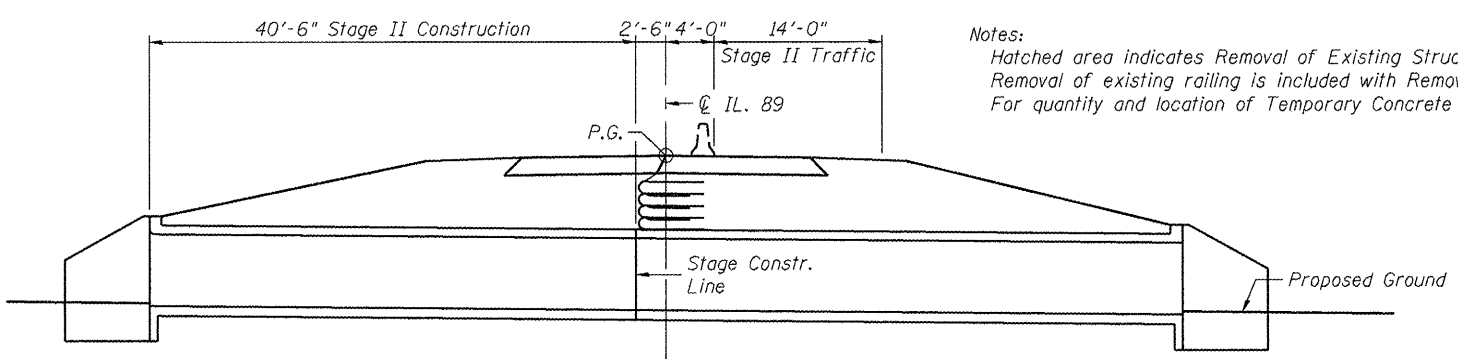
STAGE I REMOVAL
(Looking South)



STAGE I CONSTRUCTION

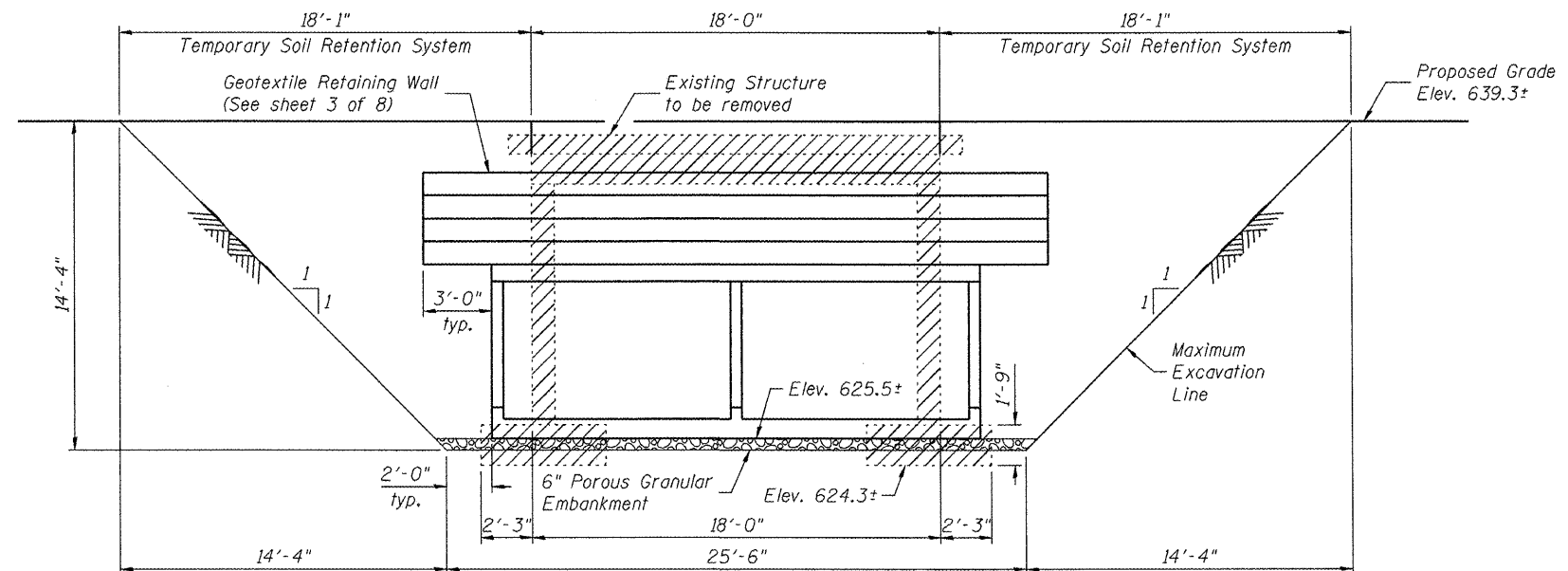


STAGE II REMOVAL



STAGE II CONSTRUCTION

Notes:
Hatched area indicates Removal of Existing Structures.
Removal of existing railing is included with Removal of Existing Structures.
For quantity and location of Temporary Concrete Barrier, see Roadway Plans.



TEMPORARY SOIL RETENTION SYSTEM
(Looking East)

Note:
A cantilevered sheet piling design does not appear feasible and additional members or other retention systems may be necessary. The Contractor shall submit a temporary soil retention system design including plan details and calculations for review and acceptance by the Engineer.

FILE: J:\DD\0206 IL 89 Afforks Creek Ph2\2-rbc-S\078200\078200-68571-002-stageconstr.dgn

FILE NAME *
...078200-68571-002-stageconstr.dgn
PLOT SCALE *
DRAWN - P. Roy
PLOT DATE * 12/09/2011 17:52:23

USER NAME * DCD
DESIGNED - DCD
CHECKED - CMV
DRAWN - P. Roy
CHECKED - DCD

REVISED -
REVISED -
REVISED -
REVISED -

STATE OF ILLINOIS
DEPARTMENT OF TRANSPORTATION

STAGE CONSTRUCTION & TEMPORARY SOIL RETENTION SYSTEM
STRUCTURE NO. 078-2010
SHEET NO. 2 OF 8 SHEETS

F.A.P. RTE.	SECTION	COUNTY	TOTAL SHEETS	SHEET NO.
698	(2) BR-1 & BR-2	PUTNAM	71	41
STA. 203+04			CONTRACT NO. 68571	
ILLINOIS FED. AID PROJECT				