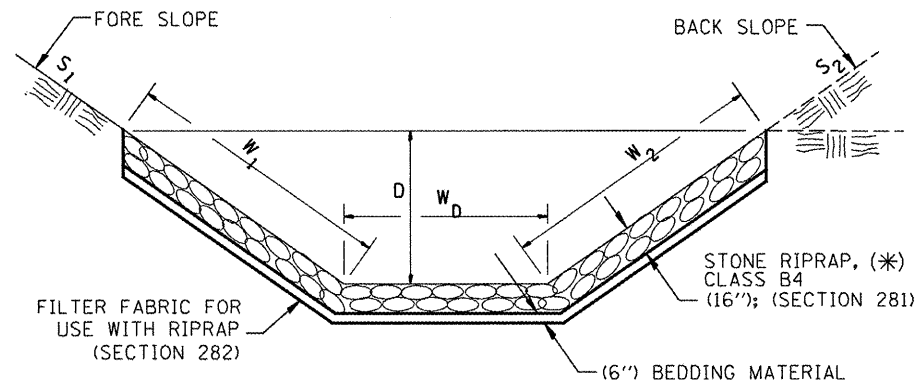


**CASE 1
(DITCH)**



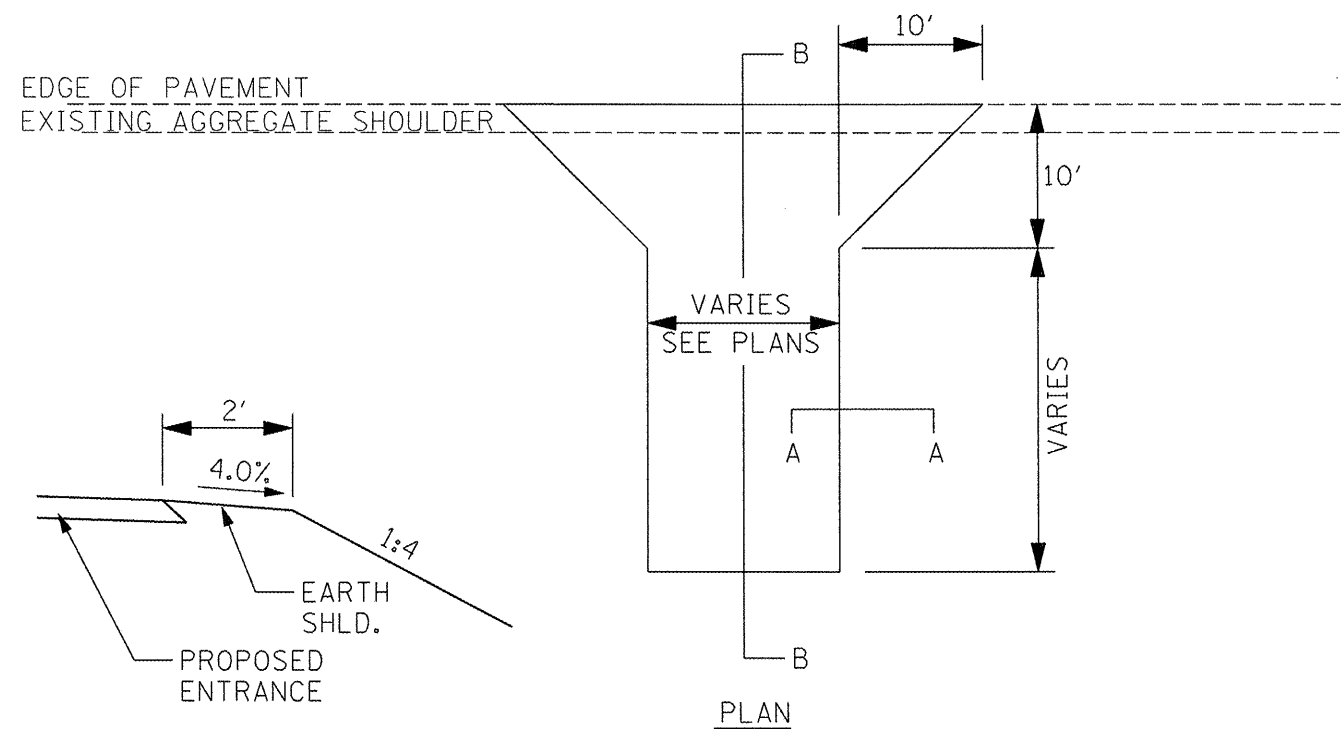
LOCATION	(*) CLASS B4					
	S ₁	S ₂	WIDTH (1)	LENGTH	RIPRAP	FABRIC
STA TO STA	V:H	V:H	lin ft (AVG)	lin ft	sq yds	sq yds
194+50 TO 194+85 LT.	1:4 - 1:3	1:3	17.3	35	67.3	67.3
195+50 TO 196+00 LT.	1:3 - 1:2	1:3	15.7	50	87.2	87.2
195+00 TO 195+50 RT.	1:4 - 1:3	1:3	17.3	50	96.1	96.1
195+50 TO 196+00 RT.	1:3 - 1:2	1:3	15.7	50	87.2	87.2
196+45 TO 197+00 LT.	1:2 - 1:3	1:3	15.7	55	95.9	95.9
197+00 TO 198+00 LT.	1:3 - 1:4	1:3	17.3	100	192.2	192.2
196+45 TO 197+00 RT.	1:2 - 1:3	1:3	15.7	55	95.9	95.9
197+00 TO 198+00 RT.	1:3 - 1:4	1:3	17.3	100	192.2	192.2
198+00 TO 199+00 RT.	1:4	1:3	18.2	100	202.2	202.2
202+00 TO 202+50 LT.	1:4	1:3	18.2	50	101.1	101.1
202+50 TO 202+90 LT.	1:4 - 1:2	1:3	16.6	40	73.8	73.8
202+00 TO 202+50 RT.	1:4	1:3	18.2	50	101.1	101.1
202+50 TO 209+90 RT.	1:4 - 1:2	1:3	16.6	40	73.8	73.8
203+20 TO 203+50 LT.	1:2 - 1:4	1:3	16.6	30	55.3	55.3
203+50 TO 204+25 LT.	1:4 - 1:3	1:3	17.3	75	144.2	144.2
203+20 TO 203+30 RT.	1:2	1:3	14.9	10	16.6	16.6
204+00 TO 204+65 RT.	1:4 - 1:3	1:3	17.3	65	124.9	124.9
TOTAL					1,807.2	1,807.2

(1) WIDTH = W₁ + W₂ + W_D

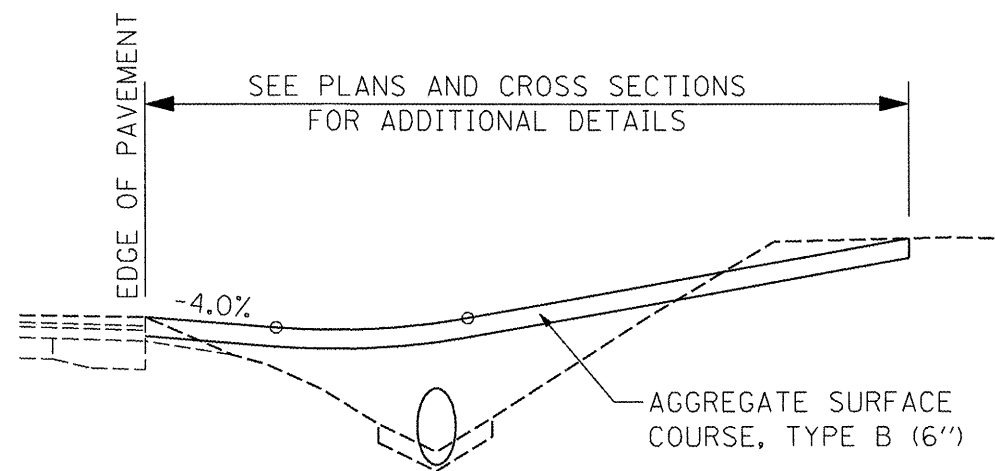
RIPRAP DITCH FOR EROSION PROTECTION

CADD STD. 281001

CL FAP ROUTE 698 (IL 89)



**SECTION A-A
(SHOULDER TREATMENT FOR RURAL ENTRANCES)**



SECTION B-B

FIELD ENTRANCE DETAIL

GENERAL NOTES

- ENTRANCES SHALL SLOPE AWAY FROM THE PAVEMENT AT A RATE EQUAL TO THE SHOULDER SLOPE FOR A MINIMUM DISTANCE OF 8'.