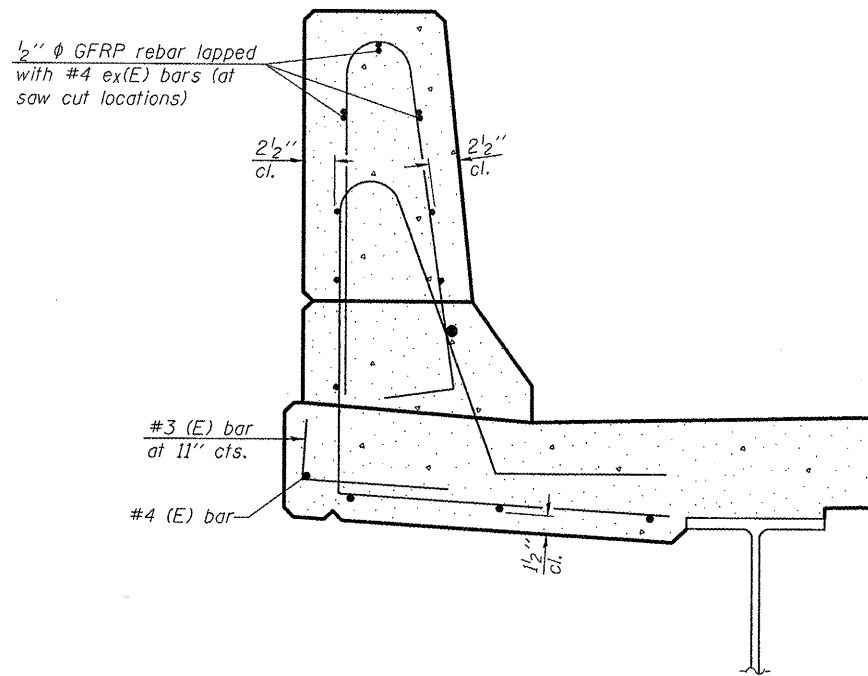


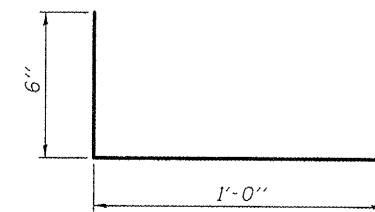
SECTION
(Showing dimensions)



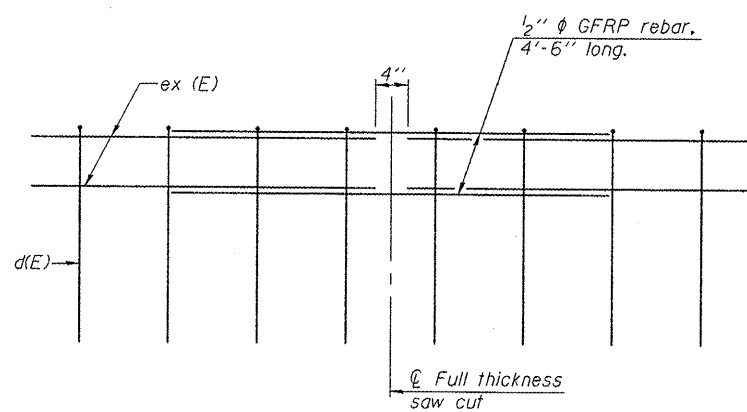
SECTION
(Showing reinforcement clearances for slip forming and additional reinforcement bars)

* See Superstructure Details.

GENERAL NOTES
All dimensions shall remain the same as shown on superstructure details, except dimensions A and B which are to be revised as shown to provide additional clearance. Additional concrete needed to revise dimension A and B = 0.0165 cu. yds./ft. of parapet.
Place aluminum sheet in curb portion at and near piers. Full thickness saw cut at all joint locations in lieu of cork joint filler.
Steel superstructure shown. Other superstructure types similar.



#3 (E) BAR



GFRP REBAR STIFFENING DETAIL
(Place as shown in parapet section at each parapet joint location.)

SFP-34 7-1-10

FILE NAME =	USER NAME = seb	DESIGNED - KTH	REVISED -	STATE OF ILLINOIS DEPARTMENT OF TRANSPORTATION	CONCRETE PARAPET SLIPFORMING OPTION S.N. 055-0080 (NB) & S.N. 055-0081 (SB)	F.A.P. RTE.	SECTION	COUNTY	TOTAL SHEETS	SHEET NO.
P:\07files\070286\Phase2\Bridge Plans\31_ConcParapetSlipForm.dgn		CHECKED - ADL	REVISED -			310	(38B-2)BR	MCDONOUGH	130	88
PLOT SCALE = 0:2.0000 1' / IN.		DRAWN - BGJ	REVISED -			CONTRACT NO. 68691				
PLOT DATE = 12/7/2011		CHECKED - RJP	REVISED -			ILLINOIS FED. AID PROJECT Klinner & Associates P.C.				