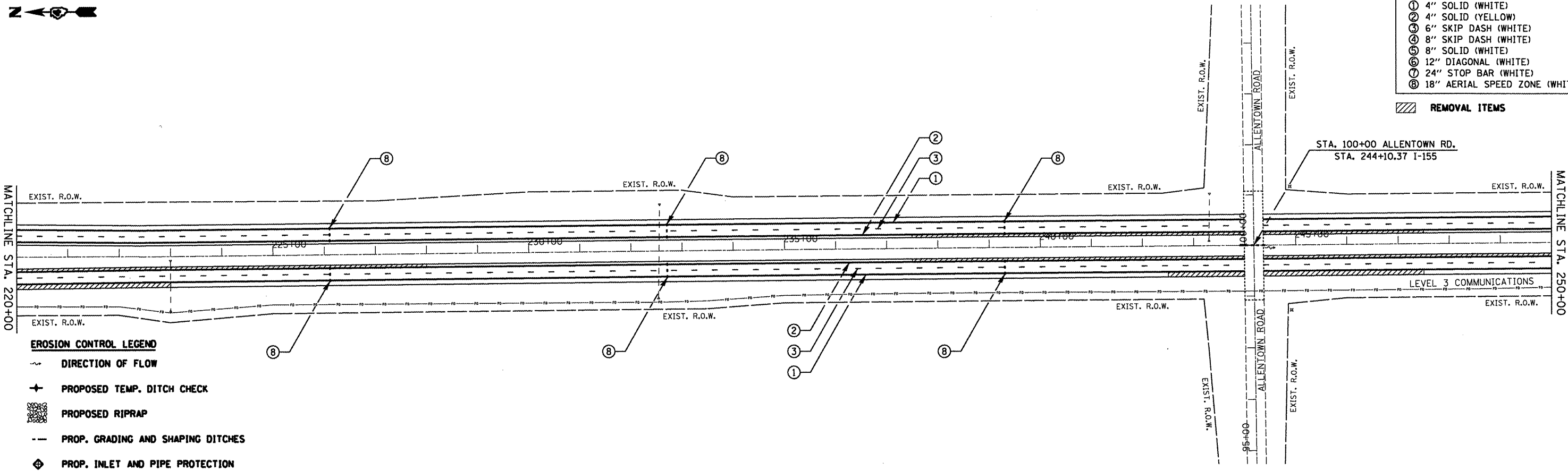


- REMOVAL ITEMS**
- ① 4" SOLID (WHITE)
  - ② 4" SOLID (YELLOW)
  - ③ 6" SKIP DASH (WHITE)
  - ④ 8" SKIP DASH (WHITE)
  - ⑤ 8" SOLID (WHITE)
  - ⑥ 12" DIAGONAL (WHITE)
  - ⑦ 24" STOP BAR (WHITE)
  - ⑧ 18" AERIAL SPEED ZONE (WHITE)



- REMOVAL ITEMS**
- ① 4" SOLID (WHITE)
  - ② 4" SOLID (YELLOW)
  - ③ 6" SKIP DASH (WHITE)
  - ④ 8" SKIP DASH (WHITE)
  - ⑤ 8" SOLID (WHITE)
  - ⑥ 12" DIAGONAL (WHITE)
  - ⑦ 24" STOP BAR (WHITE)
  - ⑧ 18" AERIAL SPEED ZONE (WHITE)

- EROSION CONTROL LEGEND**
- ~ DIRECTION OF FLOW
  - ✦ PROPOSED TEMP. DITCH CHECK
  - ▒ PROPOSED RIPRAP
  - - - PROP. GRADING AND SHAPING DITCHES
  - ◆ PROP. INLET AND PIPE PROTECTION

FILE NAME = D468914-1-155 Typical.dgn

USER NAME = johnsantv  
 PLOT SCALE = 200.0000' / in.  
 PLOT DATE = 1/9/2012

DESIGNED -	REVISED -
DRAWN -	REVISED -
CHECKED -	REVISED -
DATE -	REVISED -

**STATE OF ILLINOIS  
 DEPARTMENT OF TRANSPORTATION**

**I-155 PLAN AND  
 BROADWAY STREET INTERCHANGE**  
 SCALE: 1" = 100' SHEET NO. 6 OF 14 SHEETS STA. 195+00 TO STA. 250+00

F.A.I. RTE.	SECTION	COUNTY	TOTAL SHEETS	SHEET NO.
155	90108RS-4(107,106,106XRS-2)	TAZEWELL	92	58
<b>CONTRACT NO. 68914</b>				
ILLINOIS FED. AID PROJECT				