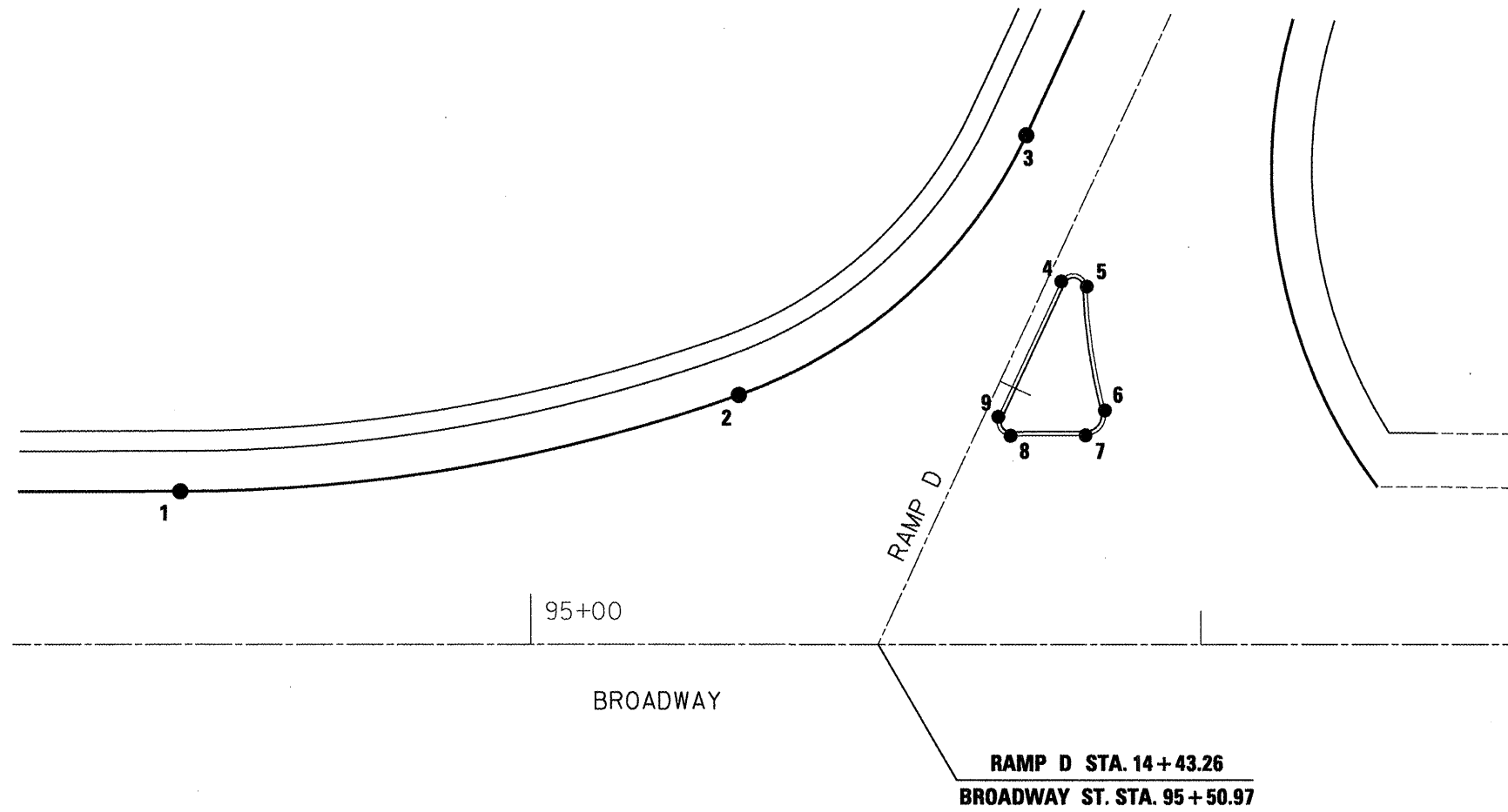
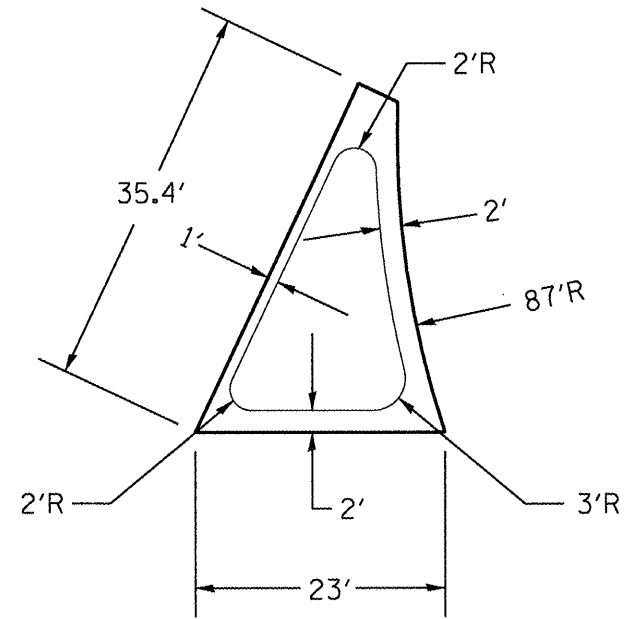


ISLAND DETAL



POINT	STATION	OFFSET	ELEVATION
1	94+47.82 BROADWAY CL	22.79 LT	696.59
2	14+18.34 RAMP D BL	34.47 RT	697.24
3	13+64.81 RAMP D BL	12 RT	697.17
4	13+82.57 RAMP D BL	2 LT	697.81
5	13+81.66 RAMP D BL	5.79 LT	697.79
6	13+97.34 RAMP D BL	16 LT	698.22
7	14+01.95 RAMP D BL	15 LT	698.70
8	14+06.72 RAMP D BL	4.83 LT	698.52
9	14+04.91 RAMP D BL	2 LT	698.50

FILE NAME = 0468914-1-155 Typical.dgn
 USER NAME = johnsonv
 PLOT SCALE = 50.0000' / 1"
 PLOT DATE = 1/9/2012

DESIGNED -
 DRAWN -
 CHECKED -
 DATE -

REVISED -
 REVISED -
 REVISED -
 REVISED -

STATE OF ILLINOIS
 DEPARTMENT OF TRANSPORTATION

PROPOSED ISLAND DETAIL
 NOT TO SCALE SHEET NO. 1 OF 1 SHEETS STA. TO STA.

F.A.I. RTE. 155 SECTION 901108RS-4(107.1061106XRS-2) COUNTY TAZEWELL TOTAL SHEETS 92 SHEET NO. 68
 ILLINOIS FED. AID PROJECT

CONTRACT NO. 68914